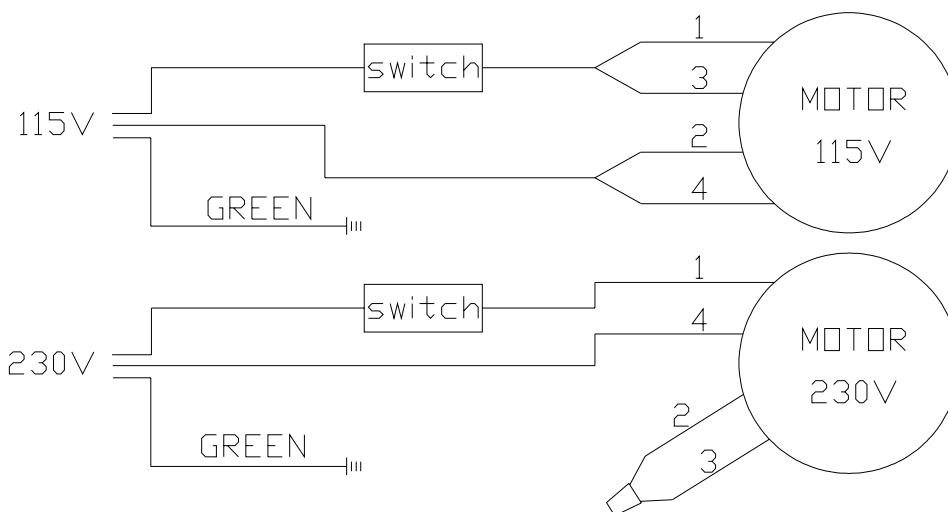


REPLACEMENT PARTS

Ref.

No.	Part No.	Description
1	A04512	START CAPACITOR
1A	A05127	RUN CAPACITOR
2	902781	WARNING LABEL
3	901-01-060-0606	5/16-18 X 5/8" HEX HEAD SCREW
4	1343390	5/16" WASHER
5	902713	WARNING LABEL (SMALL)
6	1344330	M8 WASHER
7	901-01-060-0607	5/16-18 X 3/4" HEX HEAD SCREW
9	1346524	IMPELLER
10	1346526	5/16" WASHER
11	1346525	5/16-18 X 3/4" SCREW
12	A04500	HANGER
13	901-01-060-0607	5/16-18 X 3/4" HEX HEAD SCREW
14	1340637	M8.4 WASHER
16	A04496	DUST BAG
17	901-01-060-5769	5/16-24 X 1" HEX HEAD SCREW
18	A04499	DUST INTAKE PORT
19	1310547	M4 X 12MM SCREW
21	1344330	M8 WASHER
22	A04503	KNOB
23	A04511	CLAMP
24	A04495	PLASTIC BAG
26	1350288	3/8" WASHER
27	1346520	CASTER
28	1346521	CAP
29	A04501	HARDWARE PACK
30	50-194	HOSE
31	1342476	CLAMP



50-760
WIRING DIAGRAM

STANDARD SAFETY EQUIPMENT

In order to promote tool safety, Delta Machinery strictly enforces the policy of repairing or replacing any damaged or missing standard safety equipment on machines presented to Delta Authorized Service Centers for service/repairs. Any product that is presented to a Delta Authorized Service Centers for repairs which contains missing or damaged standard safety equipment will have that equipment repaired or replaced and the customer will be charged for any such service/repairs. Customers can avoid such charges only if the missing safety component is supplied to the service center at the time of repair.

This parts list is provided to aid in obtaining service parts. Copies of the instruction and maintenance literature can be obtained through the Delta Technical Publications Department or through your service outlet.