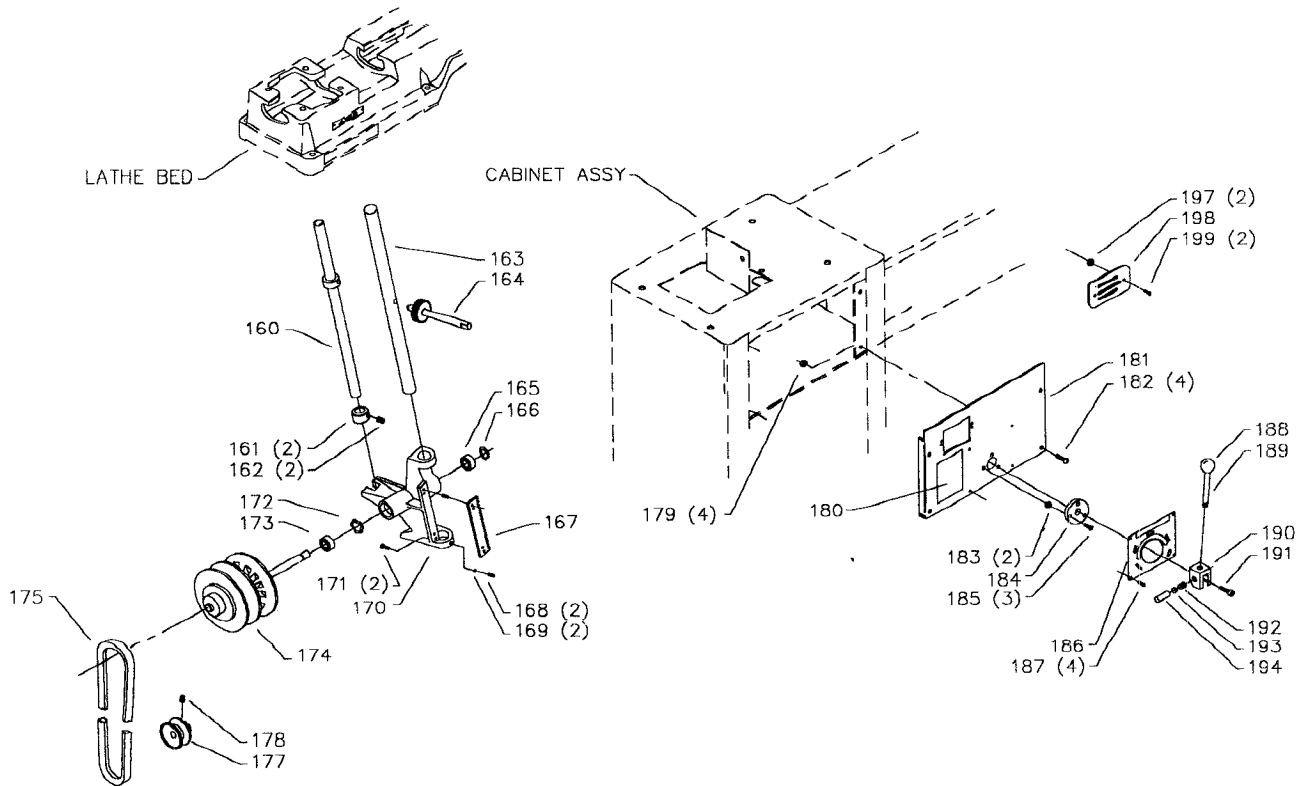
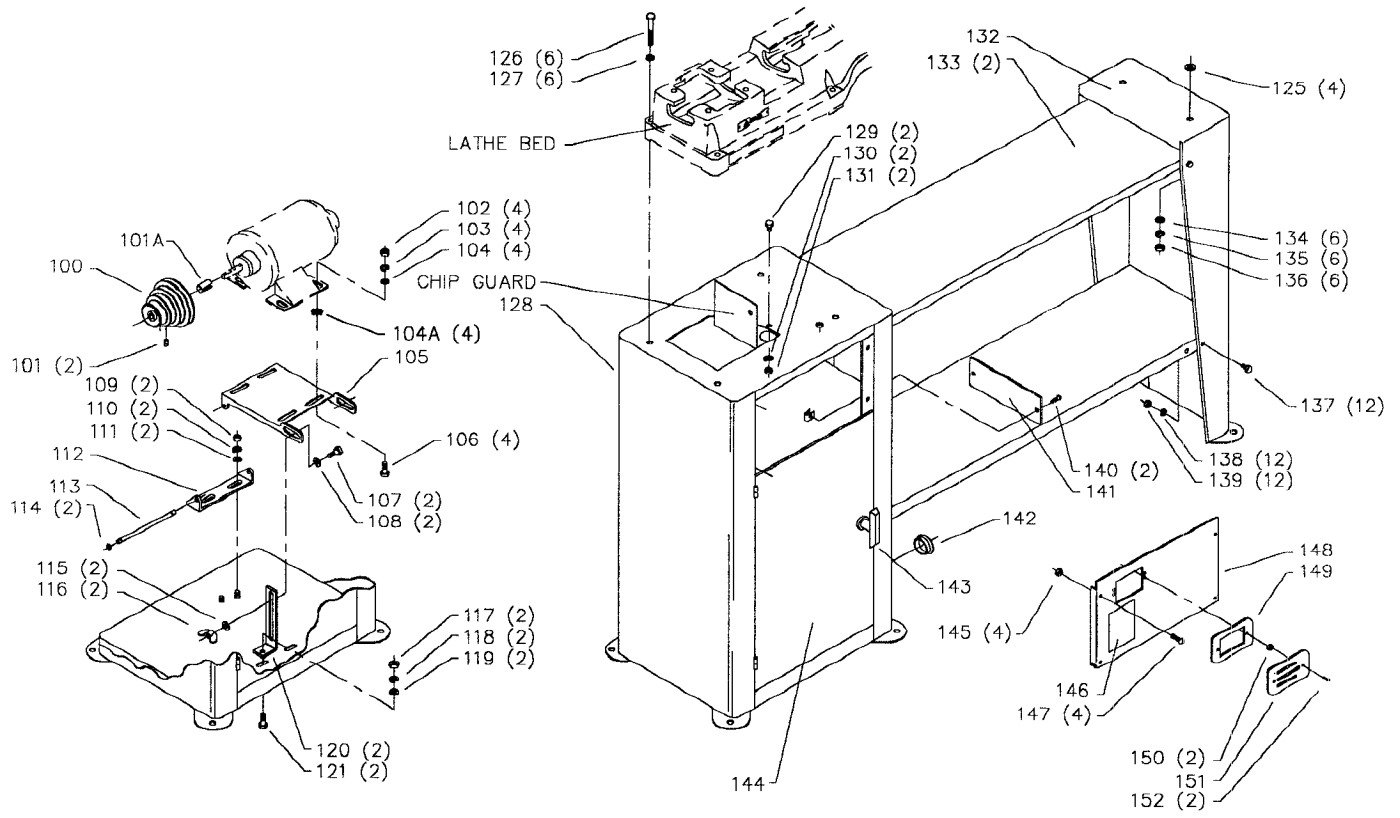


# REPLACEMENT PARTS

REF NO	PART NUMBER	DESCRIPTION	REF NO	PART NUMBER	DESCRIPTION
*	46-707	TOOL REST BASE, CONST OF:	*	434-04-392-5001	TAIL STOCK ASSY, INCL:
1	905-01-010-2706	3/16" X 1" SPRING PIN	43	434-02-077-5001	RAM
2	434-08-005-0001	TOOL REST BASE, INC:	44	434-03-112-5005	ADJUSTING SCREW
3	434-02-327-5004	CLAMP ASSY	45	905-01-010-2704	1/8" X 3/4" SPRING PIN
4	434-03-112-0002	EYE BOLT	46	904-01-031-2903	FLAT WASHER
5	434-08-072-0001	CLAMP PLATE	47	434-03-342-5001	ECCENTRIC SHAFT ASSY
6	904-01-010-1615	FLAT WASHER	48	406-03-112-0006	SPECIAL SCREW
7	902-01-213-1635	3/8-16 LOCK NUT	49	406-03-122-0002	SPRING
8	434-08-108-0001	CAM ROD	50	406-03-033-0002	RATCHET HANDLE
9	46-805	6" TOOL REST	51	902-01-201-2579	7/16-14 HEX NUT
10	46-711	12" TOOL REST	52	406-03-111-0002	STUD
15	434-04-054-5001	GUARD	53	907-00-000-2486	OIL HOLE COVER
16	905-01-010-6715	3/16" X 5/8" SPRING PIN	54	930-01-043-1338	HANDWHEEL ASSY, INCL:
17	49-094	V-BELT - 4 SPEED MODELS ONLY	55	905-07-011-3111	PIN
18	902-01-201-5456	SPINDLE NUT - LH	56	1085958	HANDLE
19	901-03-010-3318	#10-32 X 3/8" HEX SOC HD SCREW	57	901-04-140-0252	5/16-18 X 5/16" HEX SOC SET SCREW
20	434-02-079-5002	BEARING RETAINER	58	434-03-312-0001	TAILSTOCK ASSY, INCL:
21	920-04-020-5360	BALL BEARING	59	920-75-103-1387	BUSHING
22	928-06-010-7352	WAVE WASHER	60	904-03-020-1764	1/4" INT TOOTH WASHER
23	926-04-991-2314	SPINDLE PULLEY, INCL:	61	901-09-060-6131	1/4-28 X 1/2" HEX HD SCREW
24	901-04-190-0201	5/16-18 X 5/16" HEX SOC SET SCREW	62	905-01-010-2729	3/16" X 1/2" SPRING PIN
25	434-04-058-5001	HEADSTOCK	63	434-01-111-0003	U STUD
26	434-02-371-5001	INDEX PIN	64	434-03-072-0001	CLAMP PLATE
27	921-01-010-0027	STEEL BALL	65	902-01-210-1212	5/16-24 LOCK NUT
28	928-01-021-3378	COIL SPRING	70	434-04-306-0001	LATHE BED
29	434-02-085-5002	SPINDLE	71	904-02-020-1704	3/8" LOCK WASHER
30	920-07-080-5334	BALL BEARING - INBOARD	72	901-01-060-0658	3/8-24 X 1" HEX HD SCREW
31	434-02-079-5003	BEARING RETAINER - INBOARD	73	1203099	DANGER DECAL
32	901-03-010-3318	#10-32 X 3/8" HEX SOC HD SCREW	74	406-03-137-0004	NAMEPLATE
33	902-01-201-5462	SPINDLE NUT - RH	75	901-06-450-2250	#04 X 3/16" DRIVE SCREW
34	46-936	3" FACE PLATE	85	434-01-101-0002	WRENCH
35	46-933	SPUR DRIVE CENTER, INCL:			
36	901-04-190-0253	1/4-20 X 1/4" HEX SOC SET SCREW	*	NOT SHOWN ASSEMBLED	
37	434-01-022-0010	CENTER			
40	434-01-022-0010	CENTER			
41	46-439	CUP CENTER, INCL:			
42	901-04-190-9412	1/4-20 X 3/16" HEX SOC SET SCREW			



# REPLACEMENT PARTS

REF NO	PART NUMBER	DESCRIPTION	REF NO	PART NUMBER	DESCRIPTION
100	41-732	MOTOR PULLEY - 4 SPEED (1/2" BORE), INCL:	149	422-04-116-0001	GASKET
101	901-04-190-0201	5/16-18 X 5/16" HEX SOC SET SCREW	150	902-01-120-9232	#06-32 HEX NUT
101A	434-03-105-0001	ADAPTOR SLEEVE - 5/8 to 1/2" (For Use With 41-732 Only)	151	402-04-031-0001	SWITCH OPENING COVER (NOT SUPPLIED WITH BASIC UNIT)
100	41-733	MOTOR PULLEY - 4 SPEED (5/8" BORE), INCL	152	901-02-010-0564	#06-32 X 3/8" ROUND HD SCREW (NOT SUPPLIED WITH BASIC UNIT)
101	901-04-190-0201	5/16-18 X 5/16" HEX SOC SET SCREW	<b>FOR USE WITH VARIABLE SPEED MODELS ONLY</b>		
100	41-734	MOTOR PULLEY - 4 SPEED (3/4" BORE), INCL	160	434-04-055-5001	GUIDE
101	901-04-190-0201	5/16-18 X 5/16" HEX SOC SET SCREW	161	434-01-404-0001	COLLAR, INCL:
*	50-150	CABINET COMPLETE - 4 SPEED, CONST OF:	162	901-04-190-0201	5/16-18 X 5/16" HEX SOC SET SCREW
102	902-01-010-1300	5/16-18 HEX NUT	163	434-04-089-5001	SUPPORT
103	904-02-010-1703	5/16" LOCK WASHER	164	434-04-406-5001	SHAFT ASSY
104	904-01-010-1615	FLAT WASHER	165	920-04-021-6618	BALL BEARING
104A	904-03-030-1656	5/16" EXT TOOTH WASHER	166	904-15-010-7042	EXT RET RING
105	434-04-072-0001	MOTOR PLATE	167	434-04-051-5001	GEAR RACK
106	901-11-020-0834	5/16-18 X 3/4" CARRIAGE HD SCREW	168	901-04-190-9415	1/4-20 X 1/4" HEX SOC SET SCREW
107	901-11-020-0808	5/16-18 X 1" CARRIAGE HD SCREW	169	402-04-063-5001	DRAG PLUG
108	904-01-031-2918	FLAT WASHER	170	434-04-014-5001	SUPPORT
109	902-01-010-1300	5/16-18 HEX NUT	171	901-01-060-0611	1/4-20 X 1/2" HEX HD SCREW
110	904-02-010-1703	5/16" LOCK WASHER	172	928-06-011-4127	SPRING
111	904-10-031-5372	WASHER	173	920-04-020-5335	BALL BEARING
112	1087211	HINGE BRACKET	174	434-04-406-5002	VARIABLE SPEED PULLEY
113	402-04-071-5001	PIN	175	51-008	V-BELT - VARIABLE SPEED
114	904-15-010-7035	EXT RET RING	177	41-032	MOTOR PULLEY - VARIABLE SPEED (1/2" BORE), INCL:
115	904-01-010-1615	FLAT WASHER	178	901-04-150-0206	5/16-18 X 5/16" HEX SOC SET SCREW
116	902-04-010-1403	5/16-18 WING NUT	177	41-033	MOTOR PULLEY - VARIABLE SPEED (5/8" BORE), INCL:
117	902-01-010-1300	5/16-18 HEX NUT	178	901-04-150-0206	5/16-18 X 5/16" HEX SOC SET SCREW
118	904-02-010-1703	5/16" LOCK WASHER	177	41-034	MOTOR PULLEY - VARIABLE SPEED (3/4" BORE), INCL:
119	904-01-010-1615	FLAT WASHER	178	901-04-150-0206	5/16-18 X 5/16" HEX SOC SET SCREW
120	434-04-014-5003	BRACKET	177	41-034	MOTOR PULLEY - VARIABLE SPEED (3/4" BORE), INCL:
121	901-01-060-0607	5/16-18 X 3/4" HEX HD SCREW	178	901-04-150-0206	5/16-18 X 5/16" HEX SOC SET SCREW
125	904-08-021-3886	7/16" RUBBER WASHER	179	902-01-120-1034	1/4-20 HEX NUT
126	901-01-060-0644	3/8-16 X 2 1/2" HEX HD SCREW	180	434-00-752-0001	WARNING LABEL
127	904-01-010-1615	FLAT WASHER	181	434-04-031-5005	COVER
128	434-04-318-5003	CABINET	182	901-02-010-0535	1/4-20 X 1 1/4" ROUND HD SCREW
129	901-01-060-0611	1/4-20 X 1/2" HEX HD SCREW	183	902-01-120-1034	1/4-20 HEX NUT
130	904-02-020-1702	1/4" LOCK WASHER	184	434-04-089-5002	SUPPORT
131	902-01-120-1034	1/4-20 HEX NUT	185	901-03-030-8013	1/4-20 X 3/4" FLAT HD SCREW
132	434-04-366-5001	LEG ASSY	186	960-04-012-1427	SPEED PLATE
133	434-04-115-5001	SHELF	187	901-06-450-2849	#06 X 1/4" DRIVE SCREW
134	904-01-010-1615	FLAT WASHER	188	1201642	KNOB-SLIP ON
135	904-02-020-1704	3/8" LOCK WASHER	189	434-04-111-5001	STUD
136	902-01-010-5900	3/8-16 JAM NUT	190	434-04-019-5001	7 1/16-14 CAM BLOCK
137	901-01-060-0611	1/4-20 X 1/2" HEX HD SCREW	191	901-03-010-0750	5/16-18 X 1" HEX SOC HD SCREW
138	904-02-020-1702	1/4" LOCK WASHER	192	901-04-150-0206	5/16-18 X 5/16" HEX SOC SET SCREW
139	902-01-120-1034	1/4-20 HEX NUT	193	414-01-074-5001	PLUG
140	0908459	#08-32 X 3/8" PAN HD SCREW	194	414-02-071-5018	PIN
141	438-01-021-0147	PLATE	197	902-01-120-9232	#06-32 HEX NUT (NOT SUPPLIED WITH BASIC UNIT)
142	438-01-011-0020	INSULATOR	198	402-04-031-0001	SWITCH OPENING COVER (NOT SUPPLIED WITH BASIC UNIT)
143	931-05-993-1251	HANDLE ASSY	(199)	901-02-010-0564	#06-32 X 3/8" ROUND HD SCREW (NOT SUPPLIED WITH BASIC UNIT)
144	434-04-331-5001	DOOR ASSY	* NOT SHOWN ASSEMBLED		
145	902-01-120-1034	1/4-20 HEX NUT			
146	434-00-752-0001	WARNING LABEL			
147	901-02-010-0535	1/4-20 X 1 1/4" ROUND HD SCREW			
148	434-04-031-5008	COVER			

### STANDARD SAFETY EQUIPMENT

In order to promote tool safety, Delta International Machinery Corp. strictly enforces the policy of repairing or replacing any damaged or missing standard safety equipment on machines presented to Delta Authorized Service Center for service/repairs. Any product which is presented to a Delta Authorized Service Center for repairs which contains missing or damaged standard safety equipment will have that equipment repaired or replaced and the customer will be charged for any such service/repairs. Customers can avoid such charges only if the missing safety component is supplied to the service center at the time of repair.

*This parts list is provided to aid in obtaining service parts. Copies of the instruction and maintenance literature can be obtained through the Delta Technical Publications Department or through your local service outlet.*