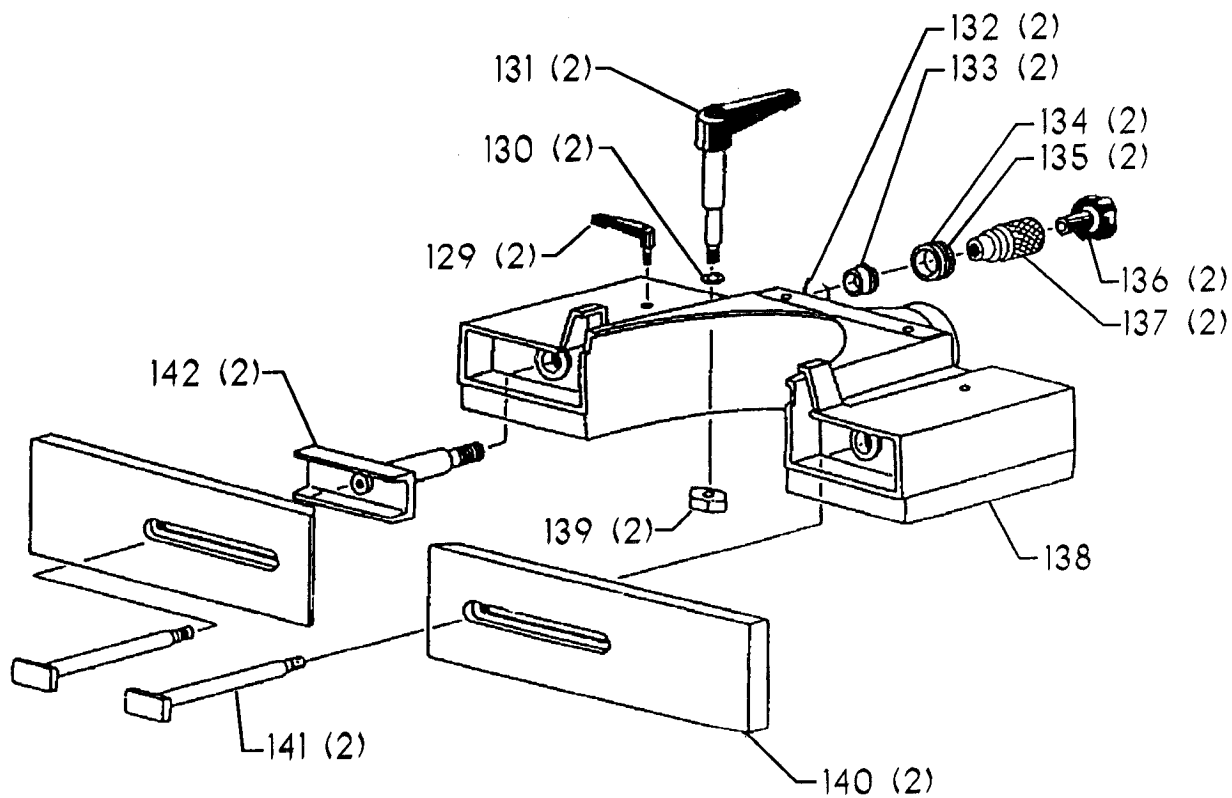
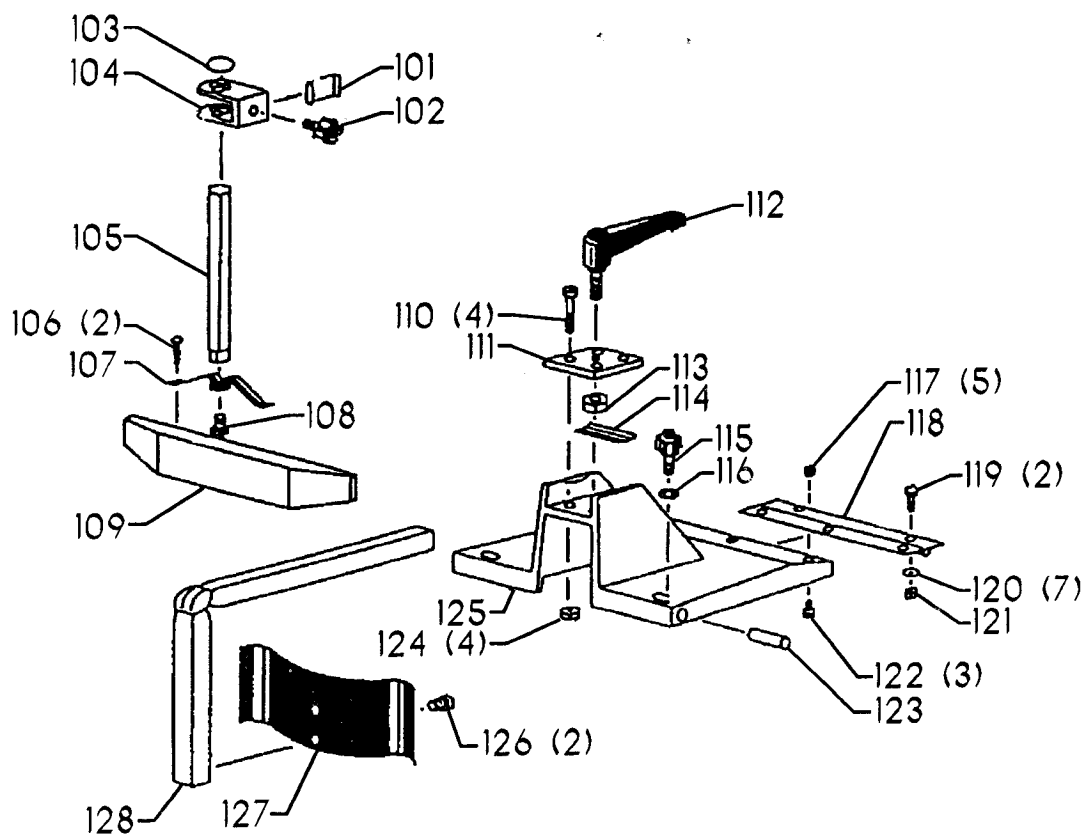


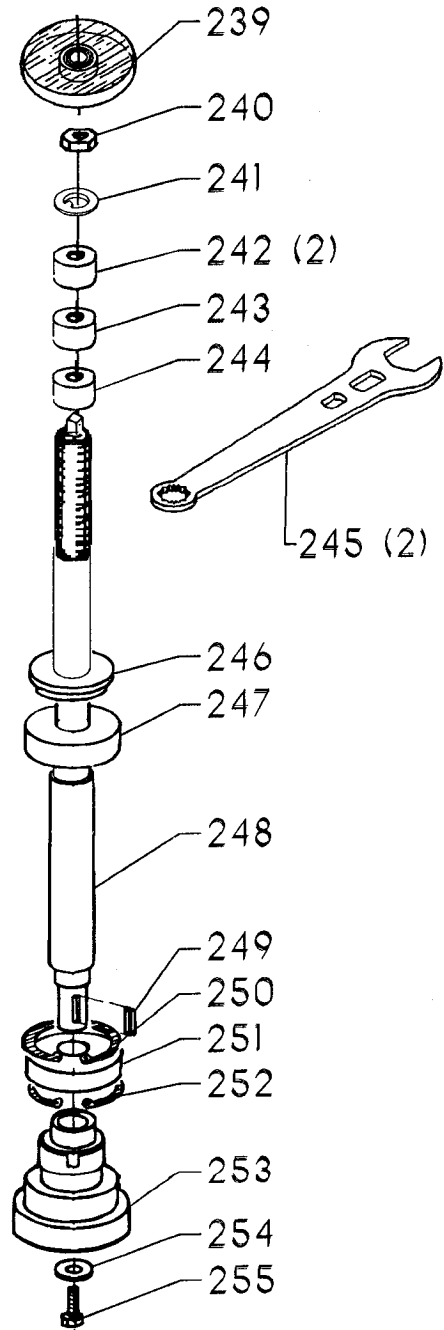
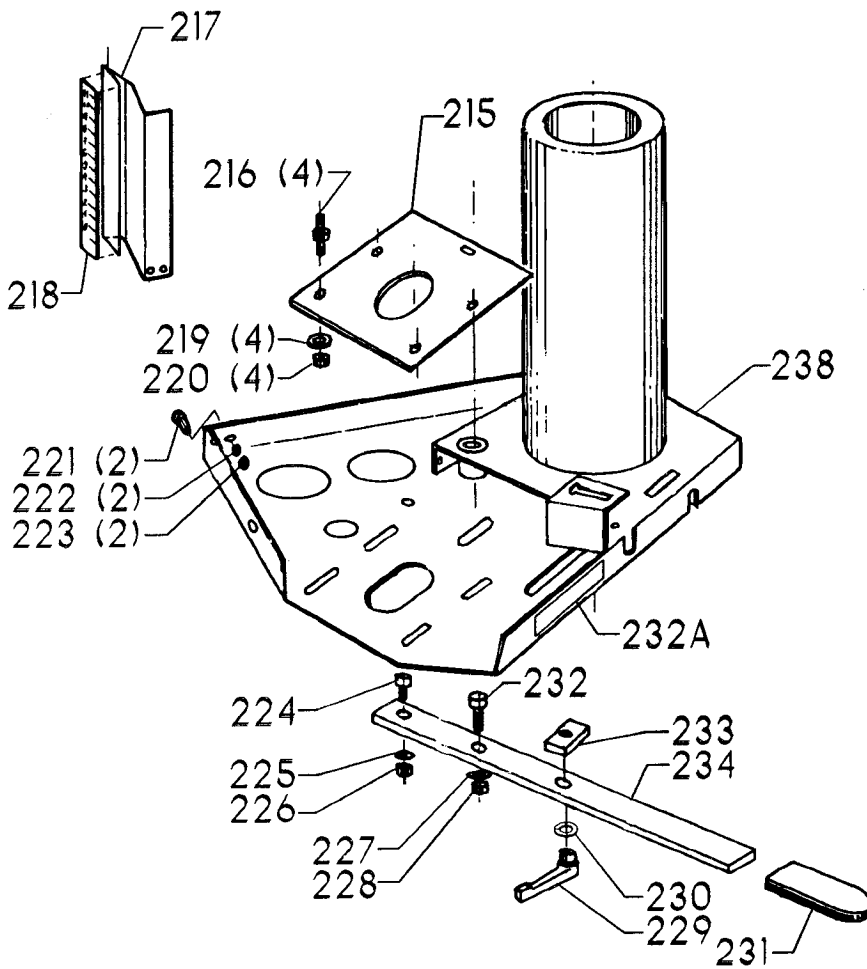
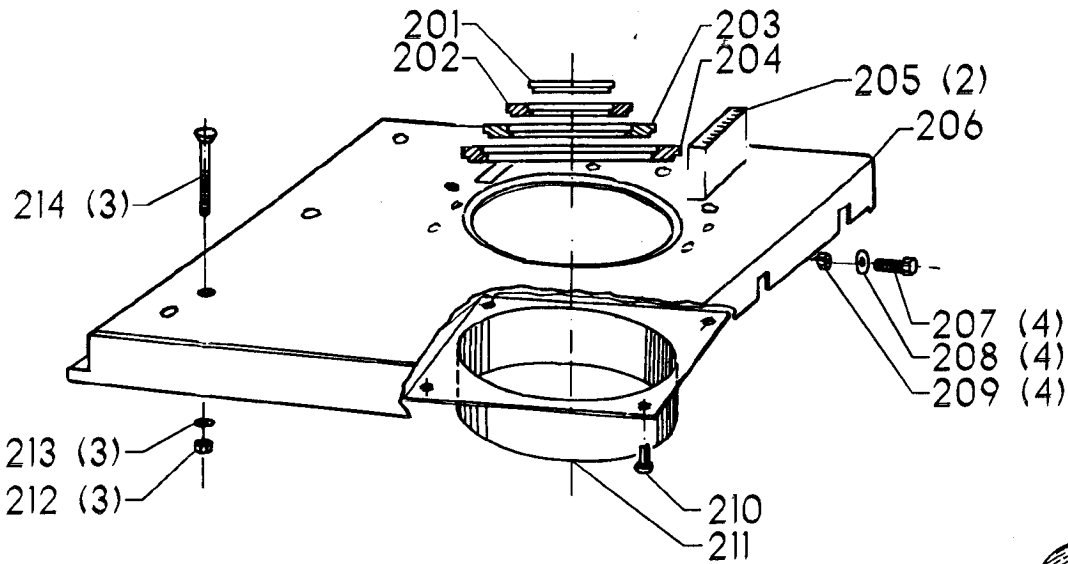
## REPLACEMENT PARTS

<u>REF. NO.</u>	<u>PART NUMBER</u>	<u>DESCRIPTION</u>
1	1348286	BRACKET
2	1310105	(DIN 933) M8 X 16MM HEX HD SCREW
3	1243526	(DIN 125) M8.4 FLAT WASHER
4	1348295	U-NUT
5	1348296	HEX HD SCREW
5A	1348294	HEX NUT
6	1347539	(DIN 7981B) M6.3 15MM PAN HD SCREW
7	1348297	COVER
8	1348287	CABINET
8A	1348283	HEIGHT LABEL
9	1343101	(DIN 933) M6 X 25MM HEX HD SCREW
9A	1348280	TILT LOCK LABEL
9B	1348279	TILT LABEL
10	1246140	(DIN 125) M6.4 FLAT WASHER
11	1348294	HEX NUT
12	1246014	(DIN 933) M6 X 15MM HEX HD SCREW
13	1348288	LATCH
14	1246058	EXT RET RING
15	1343275	(DIN 137A) M10.5 WAVE WASHER
15	1348290	KNOB
17	1348289	SHAFT
17A	1348284	NAMEPLATE
18	1348291	DOOR
19	1348281	SPEED CHART
20	1313148	(DIN 985) M6 LOCK NUT
21	1313148	(DIN 985) M6 LOCK NUT
22	1246140	(DIN 125) M6.4 FLAT WASHER
23	1246140	(DIN 125) M6.4 FLAT WASHER
24	1343101	(DIN 933) M6 X 25MM HEX HD SCREW
25	1348292	LEG BRACKET
26	1246078	(DIN 933) M8 X 15MM HEX HD SCREW
27	1243526	(DIN 125) M8.4 FLAT WASHER
28	1243398	(DIN 934) M8 HEX NUT
29	1348293	HOSE
29A	410-03-027-5001	CLAMP
30	1348316	LAMP
30A	1348276	SPEED LABEL
31	1347694	(DIN 7981B) M4.2 25MM PAN HD SCREW
32	1348315	TOP COVER
32A	1348277	LABEL
33	1348313	REV SWITCH
33A	1348314	MICRO SWITCH
34	1348312	CONTROL 1 PHASE
35	1348311	TERMINAL STRIP
36	1348310	CONTROL BOX
37	1348317	CORD CLAMP
38	1348318	CORD CLAMP
39	49-514	#14-3 WI CBL 230V
40	1348298	MOTOR 1 PHASE
41	1348299	BRACKET
42	1348300	CAPACITOR
43	1348301	NUT
44	1348302	BRACKET
45	1348303	SPRING
46	1348304	BELT
47	1348305	SWITCH BOX
48	1344952	(DIN 7981B) M4.2 16MM PAN HD SCREW
49	1348308	KEY
50	1345971	M8 FLAT WASHER
51	1246017	(DIN 933) M8 X 30MM HEX HD SCREW
52	1348306	SWITCH
53	1344933	(DIN 912) M5 X 20MM HEX SOC HD SCR
54	1246102	(DIN 125) M5.3 FLAT WASHER
55	1243395	(DIN 934) M5 HEX NUT
56	1348307	MOTOR PULLEY
57	1348309	MOTOR CORD



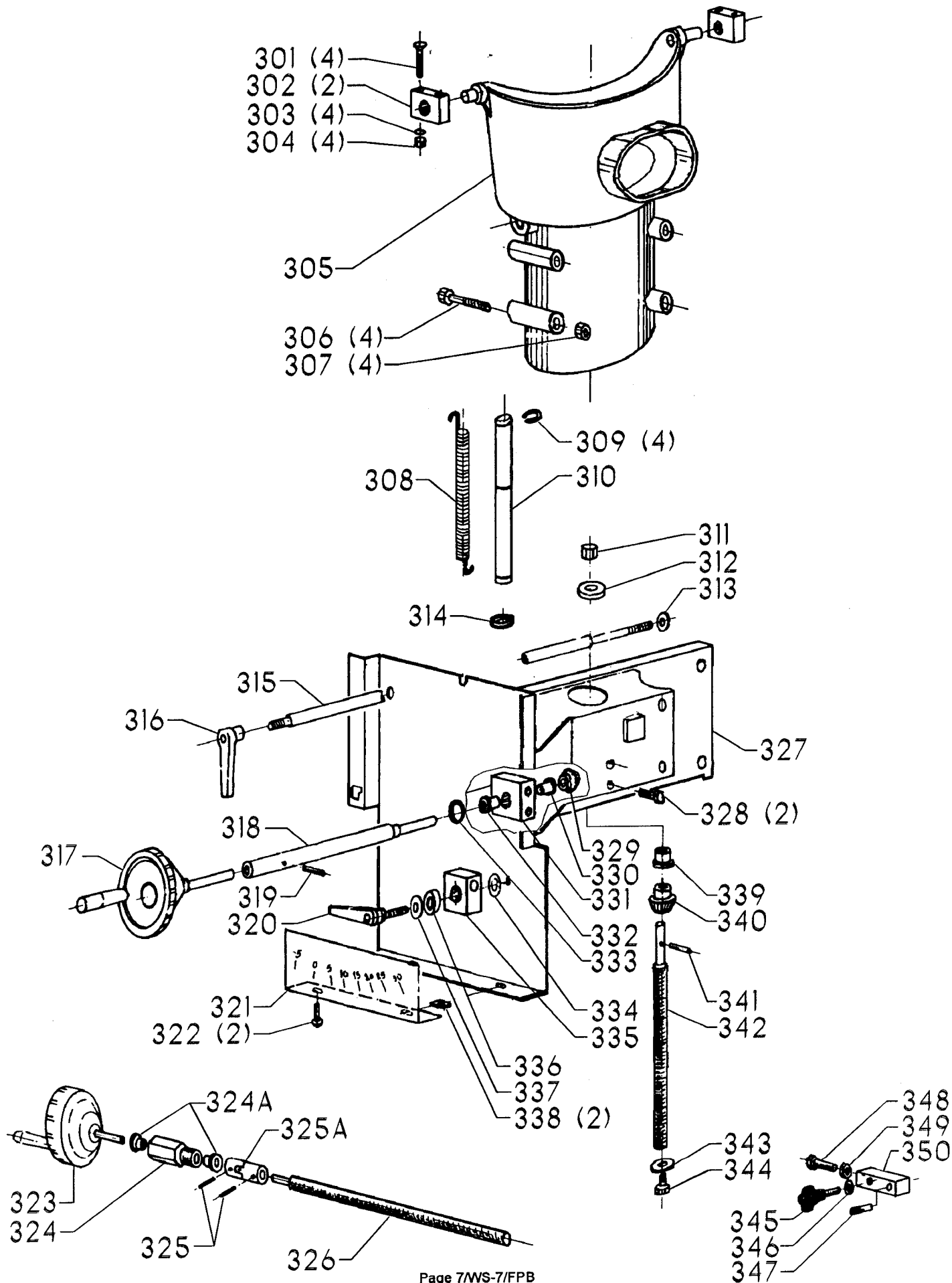
# REPLACEMENT PARTS

<u>REF. NO.</u>	<u>PART NUMBER</u>	<u>DESCRIPTION</u>
101	1348375	CLIP
102	1348378	KNOB
103	1348376	CAP
104	1348377	BRACKET
105	1348379	ROD
106	1344952	(DIN 7981B) M4.2 16MM PAN HD SCREW
107	1348380	SPRING
108	1246067	(DIN 84) M6 X 15MM CHEESE HD SCREW
109	1348381	SHOE
110	1243331	(DIN 912) M6 X 40MM HEX SOC HD SCR
111	1348383	PLATE
112	1348384	HANDLE
113	1243398	(DIN 934) M8 HEX NUT
114	1348382	SPRING
115	1348385	KNOB
116	1246140	(DIN 125) M6.4 FLAT WASHER
117	1243456	(DIN 934) M6 HEX NUT
118	1348386	HINGE
119	1246130	(DIN 84) M6 X 16MM CHEESE HD SCREW
120	1246140	(DIN 125) M6.4 FLAT WASHER
121	1243456	(DIN 934) M6 HEX NUT
122	1246002	(DIN 84) M6 X 12MM CHEESE HD SCREW
123	1348387	PIN
124	1343642	(DIN 985) M6 LOCK NUT
125	1348388	COVER
126	1246045	(DIN 84) M6 X 10MM CHEESE HD SCREW
127	1348389	SPRING PLATE
128	1348390	BAR
129	1348391	LEVER
130	1348392	WASHER
131	1348393	HANDLE
132	1348394	RING
133	1348395	TAPERED RING
134	<del>1348396</del> 1348398	BARREL
135	1348397	VERNIER
136	1348399	LOCK SCREW
137	1348393	HANDLE
138	1348400	FENCE BODY
139	1243496	(DIN 934) M10 HEX NUT
140	1348401	FENCE
141	1348403	DRAWBOLT
142	1348402	RETAINER



## REPLACEMENT PARTS

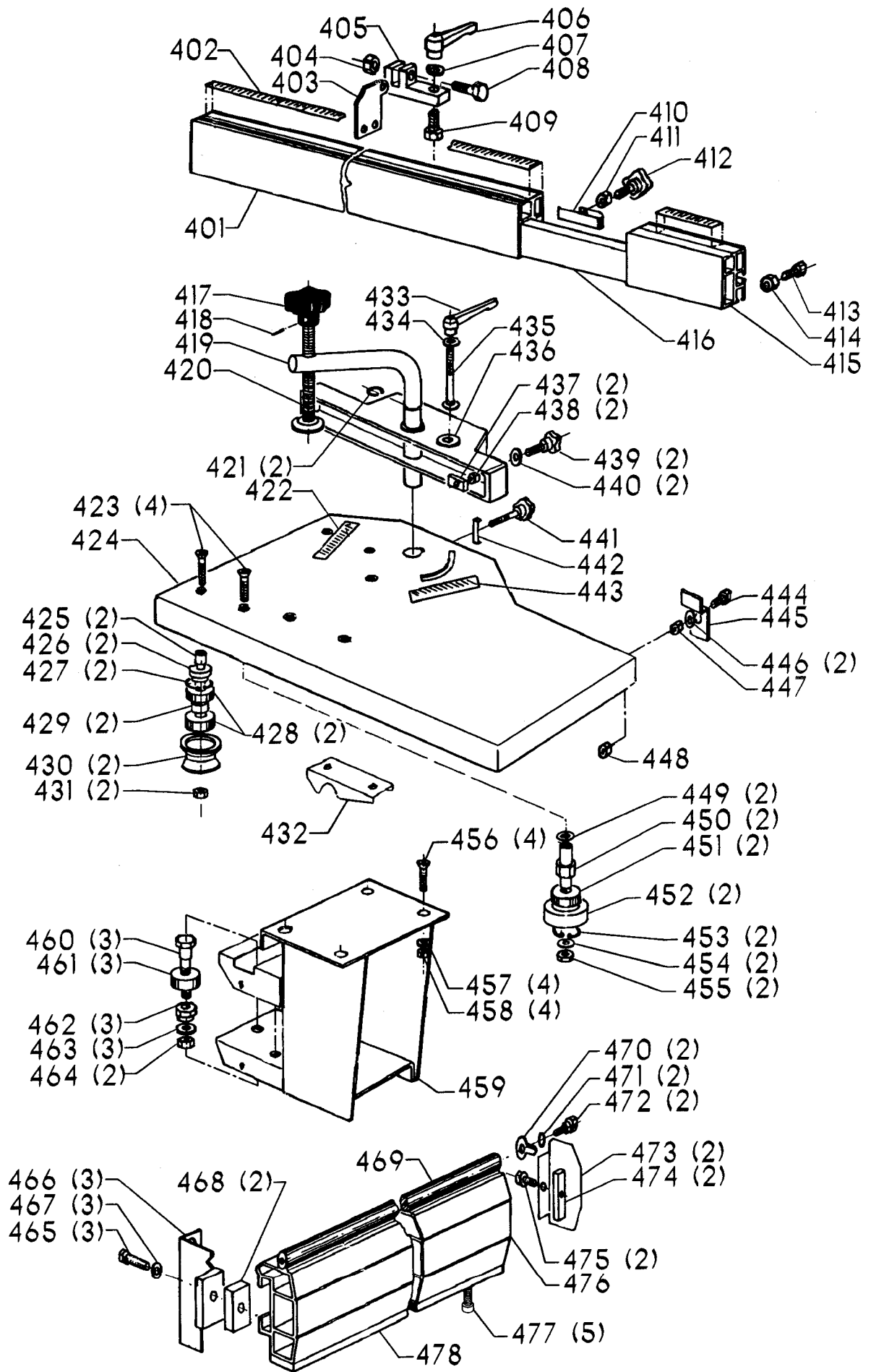
<u>REF. NO.</u>	<u>PART NUMBER</u>	<u>DESCRIPTION</u>
201	1348319	INSERT SM
202	1348320	INSERT MED
203	1348321	INSERT MED-LG
204	1348322	INSERT LG
205	1348323	SCALE
206	1348324	TABLE
207	1246017	(DIN 933) M8 X 30MM HEX HD SCREW
208	1243526	(DIN 125) M8.4 FLAT WASHER
209	1243398	(DIN 934) M8 HEX NUT
210	1341235	(DIN 84) M4 X 12MM CHEESE HD SCREW
211	1348326	FLANGE
212	1243456	(DIN 934) M6 HEX NUT
213	1246140	(DIN 125) M6.4 FLAT WASHER
214	1348325	SCREW
215	1348340	PLATE
216	1348341	STUD
217	1348342	SUPPORT
218	1348343	SCALE
219	1246140	(DIN 125) M6.4 FLAT WASHER
220	1243456	(DIN 934) M6 HEX NUT
221	1340490	(DIN 84) M4 X 8MM CHEESE HD SCREW
222	1343545	(DIN 125) M4.1 FLAT WASHER
223	1243569	(DIN 934) M4 HEX NUT
224	1246015	(DIN 933) M6 X 20MM HEX HD SCREW
225	1246140	(DIN 125) M6.4 FLAT WASHER
226	1343642	(DIN 985) M6 LOCK NUT
227	1246140	(DIN 125) M6.4 FLAT WASHER
228	1343642	(DIN 985) M6 LOCK NUT
229	1348332	LOCK LEVER
230	1246140	(DIN 125) M6.4 FLAT WASHER
231	1348335	HANDLE
232	1246016	(DIN 933) M8 X 25MM HEX HD SCREW
232A	1348282	BELT LABEL
233	1348333	NUT
234	1348334	LEVER
238	1348331	MOTOR SUPPORT
239	43-440	GUARD
240	902-01-131-3082	7/8-14 HEX NUT
241	904-05-010-6662	3/4" LOCK WASHER
242	904-10-031-4506	COLLAR
243	904-10-031-4507	COLLAR
244	904-10-031-4508	COLLAR
245	955-01-050-1467	WRENCH
246	1348327	WASHER
247	920-04-021-6559	BALL BEARING
248	1348328	SPINDLE SHAFT
249	1348329	KEY
250	1246126	INT RET RING
251	920-04-021-6559	BALL BEARING
252	1246126	INT RET RING
253	1348330	SPINDLE PULLEY
254	1344330	M8 FLAT WASHER
255	1246017	(DIN 933) M8 X 30MM HEX HD SCREW



## REPLACEMENT PARTS

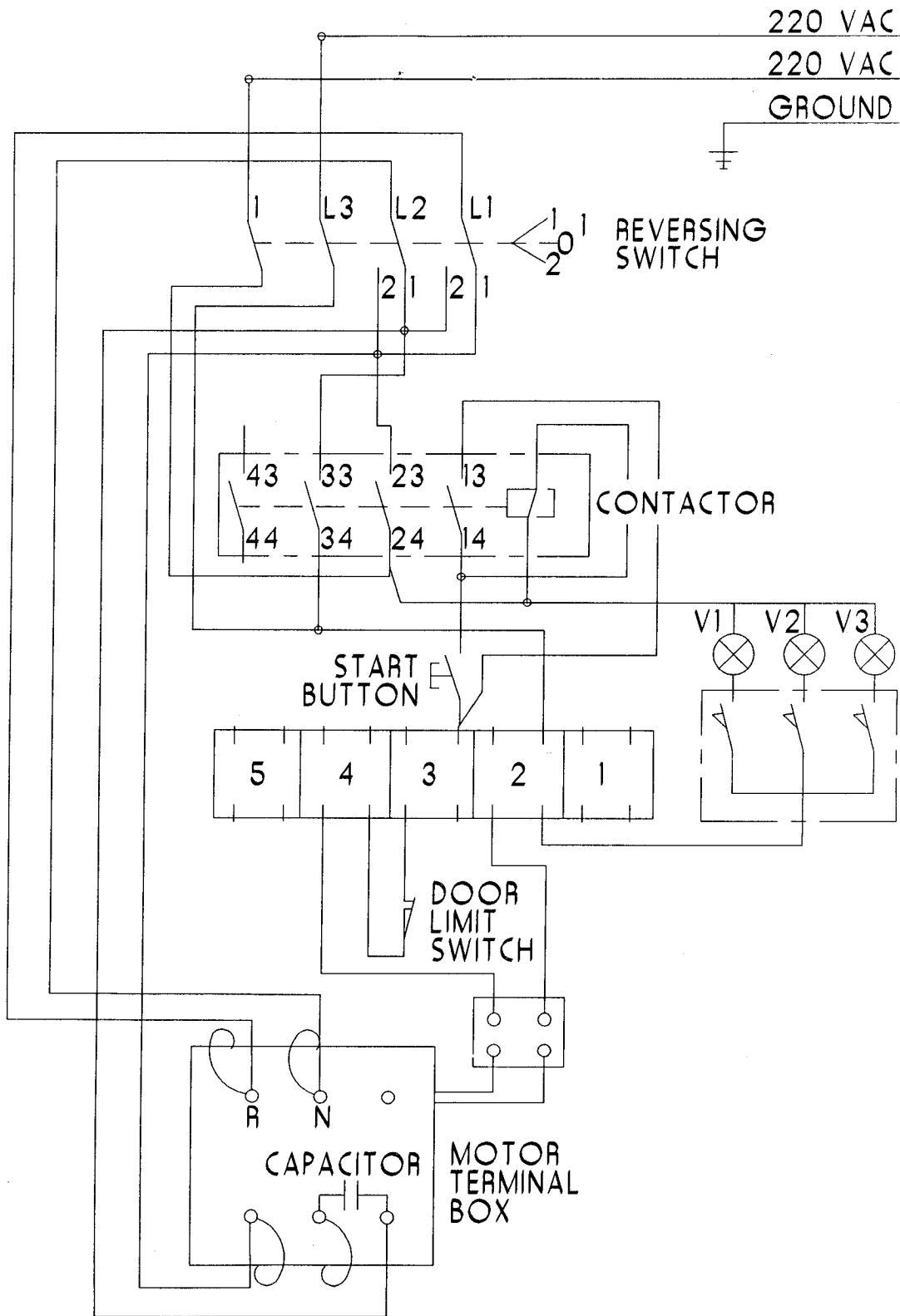
<u>REF. NO.</u>	<u>PART NUMBER</u>	<u>DESCRIPTION</u>
301	1348344	SCREW
302	1348345	PIVOT BLOCK
303	1243520	(DIN 7980) M6.1 LOCK WASHER
304	1243456	(DIN 934) M6 HEX NUT
305	1348346	HOUSING
306	1348347	SCREW
307	1243398	(DIN 934) M8 HEX NUT
308	1348363	SPRING
309	1243301	EXT RET RING
310	1348364	SHAFT
311	1341996	(DIN 985) M10 LOCK NUT
312	1348356	STOP
313	1243526	(DIN 125) M8.4 FLAT WASHER
314	1348355	RING
315	1348348	SHAFT
316	1348349	HANDLE
317	1348351	HANDWHEEL
318	1348350	SHAFT
319	1344086	(DIN 1481) M3.5 X 20MM SPRING PIN
320	1348359	HANDLE
321	1348358	SCALE
322	1310547	(DIN 7981B) M4.2 12MM PAN HD SCREW
323	1348369	HANDWHEEL
324	1348371	BUSHING NUT
324A	1348370	BUSHING
325	1348372	PIN
325A	1348373	JOINT
326	1348374	SHAFT
327	1348365	SUPPORT PLATE
328	1341153	(DIN 933) M8 X 12MM HEX HD SCREW
329	1348352	GEAR
330	1348353	BUSHING
331	1348354	GUIDE
332	1348353	BUSHING
333	1348355	RING
334	1348362	WASHER
335	1348361	NUT
336	1348360	RING
337	1243502	(DIN 125) M10 FLAT WASHER
338	1344925	M4.2 TINNERMAN NUT
339	1348357	BUSHING
340	1348352	GEAR
341	1344086	(DIN 1481) M3.5 X 20MM SPRING PIN
342	1348450	SCREW
343	1340654	M6.4 FLAT WASHER
344	1246013	(DIN 933) M6 X 12MM HEX HD SCREW
345	1348367	KNOB W/STUD
346	1246140	(DIN 125) M6.4 FLAT WASHER
347	1348368	PIN
348	1310105	(DIN 933) M8 X 16MM HEX HD SCREW
349	1243398	(DIN 934) M8 HEX NUT
350	1348366	STOP





# REPLACEMENT PARTS

<u>REF. NO.</u>	<u>PART NUMBER</u>	<u>DESCRIPTION</u>	<u>REF. NO.</u>	<u>PART NUMBER</u>	<u>DESCRIPTION</u>
401	1348411	FENCE	440	1246140	(DIN 125) M6.4 FLAT WASHER
402	1348409	SCALE	441	1348443	KNOB W/STUD
403	1348404	STOP	442	1348444	SPRING
404	1343504	(DIN 985) M5 LOCK NUT	443	1348416	SCALE RH
405	1348405	BLOCK	444	1246093	(DIN 933) M8 X 35MM HEX HD SCREW
406	1348406	KNOB	445	1348445	BRACKET
407	1246140	(DIN 125) M6.4 FLAT WASHER	446	1243526	(DIN 125) M8.4 FLAT WASHER
408	1246103	(DIN 933) M5 X 25MM HEX HD SCREW	447	1345382	(DIN 985) M8 LOCK NUT
409	1344146	(DIN 933) M6 X 20MM HEX HD SCREW	448	1345382	(DIN 985) M8 LOCK NUT
410	1348407	SPRING	449	1341945	(DIN 125) M12 FLAT WASHER
411	1243456	(DIN 934) M6 HEX NUT	450	1348448	STUD
412	1348408	KNOB	451	400-08-139-0011	BALL BEARING
413	1243379	(DIN 912) M6 X 10MM HEX SOC HD SCR	452	1348449	COVER
414	1243456	(DIN 934) M6 HEX NUT	453	1246195	INT RET RING
415	1348412	EXT BLOCK	454	1243526	(DIN 125) M8.4 FLAT WASHER
416	1348410	FENCE EXT BAR	455	1243398	(DIN 934) M8 HEX NUT
417	1348413	KNOB	456	1348446	SCREW
418	1246184	(DIN 1481) M3 X 20MM SPRING PIN	457	1243526	(DIN 125) M8.4 FLAT WASHER
419	1348451	BAR	458	1243398	(DIN 934) M8 HEX NUT
420	1348414	SCREW W/CUP	459	1348447	SUPPORT
421	1246028	EXT RET RING	460	1348425	STUD
422	1348415	SCALE LH	461	400-08-139-0011	BALL BEARING
423	1348418	SCREW	462	1348427	BUSHING
424	1348417	TABLE	463	1243526	(DIN 125) M8.4 FLAT WASHER
425	1348419	BUSHING	464	1243398	(DIN 934) M8 HEX NUT
426	1348420	SPACER	465	1246016	(DIN 933) M8 X 25MM HEX HD SCREW
427	1348421	CLIP	466	1348428	BRACKET
428	400-08-139-0007	BALL BEARING	467	1243526	(DIN 125) M8.4 FLAT WASHER
429	1348422	SPACER	468	1348429	NUT
430	1348423	ROLLER	469	1348431	TOP GUIDE
431	1243398	(DIN 934) M8 HEX NUT	470	1348436	STOP
432	1348424	SHIELD	471	1313194	(DIN 137B) M8.4 WAVE WASHER
433	1348438	LOCK LEVER	472	1348437	SPECIAL SCREW
434	1243526	(DIN 125) M8.4 FLAT WASHER	473	1348435	COVER
435	1348439	SPECIAL SC	474	1348434	NUT
436	1348440	BODY	475	1246014	(DIN 933) M6 X 15MM HEX HD SCREW
437	1348441	NUT	476	1348432	SUPPORT
438	1343642	(DIN 985) M6 LOCK NUT	477	1348433	SCREW
439	1348442	KNOB W/STUD	478	1348430	BOTTOM GUIDE



**STANDARD SAFETY EQUIPMENT**

In order to promote tool safety, Delta International Machinery Corp. strictly enforces the policy of repairing or replacing any damaged or missing standard safety equipment on machines presented to Delta Authorized Service Centers for service/repair. Any product which is presented to a Delta Authorized Service Center for repairs which contains missing or damaged standard safety equipment will have that equipment repaired or replaced and the customer will be charged for any such service/repairs. Customers can avoid such charges only if the missing safety component is supplied to the service center at the time of repair.

This parts list is provided to aid in obtaining service parts. Copies of the instruction and maintenance literature can be obtained through the Delta Technical Publications Department or through your local service outlet.