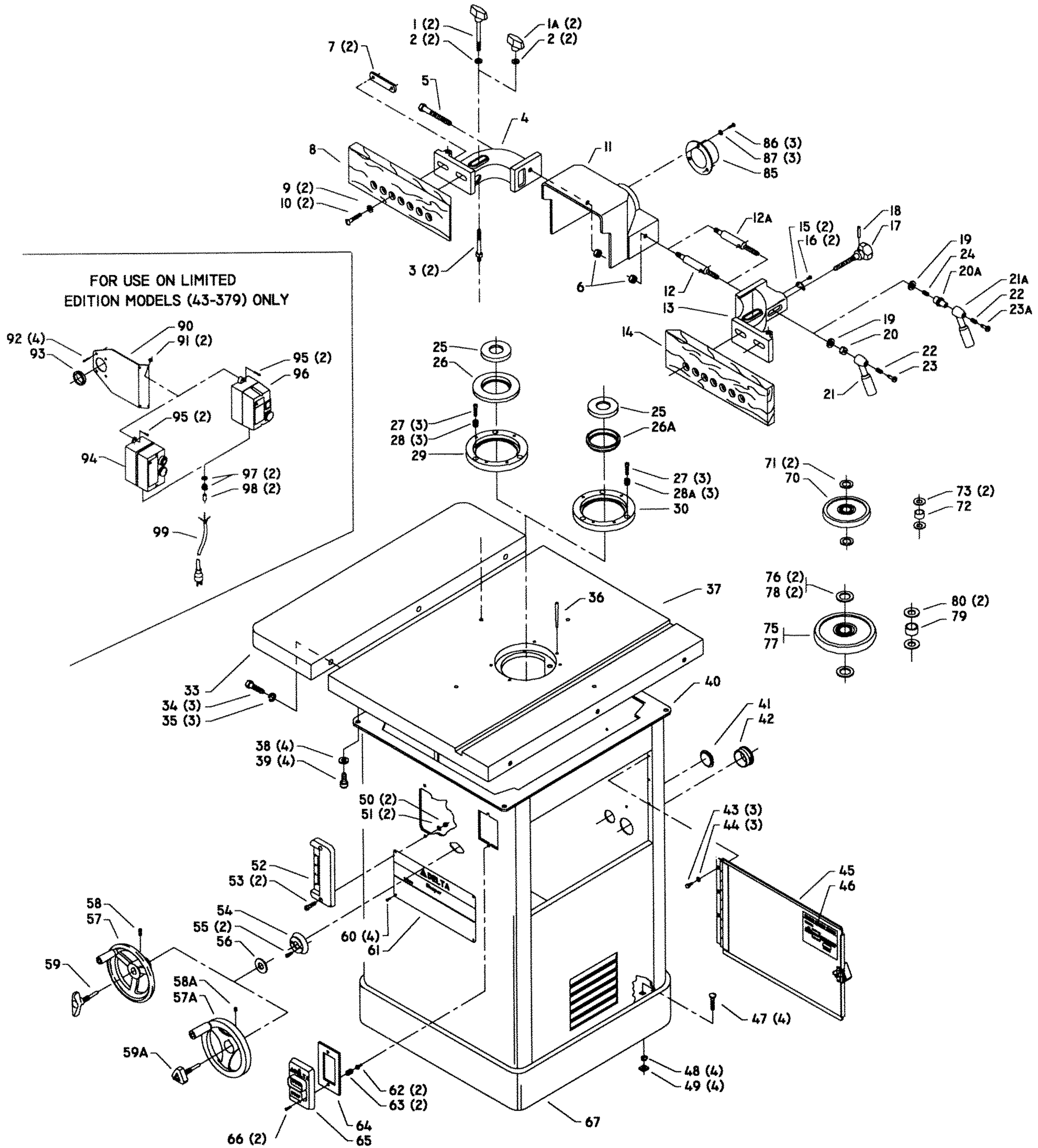




43-370, 43-372, 43-373, 43-374, 43-375, & 43-379
(With Interchangeable 1/2" & 3/4" Spindles)
43-384, 43-385, 43-386
(With 1" Solid Spindles)
2 - SPEED HEAVY DUTY WOOD SHAPERS
S.N. 88E28265 Thru S.N. 99G57332

WS-2C

Part No. 432-02-651-0011
Revised: 10/4/99



REPLACEMENT PARTS

REF. NO.	PART NUMBER	DESCRIPTION
*	43-830	FENCE ASSY, CONST OF:
1	432-01-138-0002	FENCE CLAMP KNOB (CMO)
1A	424-12-060-0005	KNOB (EMO)
2	904-01-031-2937	FLAT WASHER
3	432-01-111-0003	STUD (EMO)
4	432-01-089-0013	FENCE BODY - LH
5	901-01-060-0633	7/16-14 X 3 1/4" HEX HD SCR
6	902-01-201-2579	7/16-14 HEX NUT
7	432-01-004-0003	CLAMP PLATE
8	432-02-043-0004	FENCE - LH
9	904-01-010-1620	FLAT WASHER
10	901-02-010-0523	5/16-18 X 1 1/2" ROUND HD SCR
11	432-02-031-0001	COVER
12	432-02-111-0002	STUD (CMO)
12A	432-01-111-0004	STUD (EMO)
13	432-01-089-0012	FENCE BODY - RH
14	432-02-043-0003	FENCE - RH
15	432-01-047-0001	HALF COLLAR FLINGER
16	901-03-010-3318	#10-32 X 3/8" HEX SOC HD SCR
17	1087647	KNOB ASSY, INCL:
18	905-01-010-2706	3/16" X 1" SPRING PIN
19	904-10-031-2097	WASHER
20	902-01-201-2579	7/16-14 HEX NUT (CMO)
20A	432-01-027-0004	SERRATED NUT (EMO)
21	406-03-033-0002	RATCHET HANDLE (CMO)
21A	406-03-033-0001	HANDLE (EMO)
22	406-03-122-0002	SPRING
23	406-03-112-0006	SPECIAL SCR (CMO)
23A	406-03-112-0003	SPECIAL SCR (EMO)
24	928-01-021-4125	SPRING (EMO)
25	432-01-063-0001	TABLE INSERT - SMALL
26	432-02-063-0002	TABLE INSERT - INTERMEDIATE (CMO)
26A	432-02-063-5001	TABLE INSERT - INTERMEDIATE (EMO)
27	901-02-050-0725	1/4-20 X 1" FILL HD SCR
28	432-02-112-0002	INSERT SCR (CMO)
28A	432-02-112-5002	SPECIAL SCR (EMO)
29	432-02-363-0001	TABLE INSERT ASSY - OUTER (CMO)
30	432-02-089-5006	SUPPORT (EMO)
33	43-349	EXTENSION WING, INCL:
34	901-01-060-9964	7/16-20 X 1 1/4" HEX HD SCR
35	904-10-031-2097	WASHER
36	905-03-013-1493	2-1/2" TAPER PIN
37	432-02-391-0004	TABLE
38	904-10-031-2097	WASHER
39	901-03-010-1487	7/16-20 X 3/4" HEX SOC HD SCR
40	432-02-318-0002	CABINET
41	438-01-011-0065	PLUG
42	438-01-011-0020	INSULATOR
43	901-05-213-1498	#10 X 1/2" HEX WASHER HD SCR
44	904-01-010-1602	3/16" FLAT WASHER (EMO)
45	432-02-331-0007	DOOR ASSY, INCL:
46	432-02-754-0003	SPEED CHART
47	901-11-020-0834	5/16-18 X 3/4" CARRIAGE HD SCR
48	904-02-010-1703	5/16" LOCK WASHER
49	902-02-040-1303	5/16-18 SQUARE NUT
50	902-01-120-1034	1/4-20 HEX NUT
51	904-03-030-1757	1/4" EXT TOOTH WASHER
52	432-02-014-0001	BRACKET W/SCALE
53	901-03-010-3345	1/4-20 X 1" HEX SOC HD SCR

REF. NO.	PART NUMBER	DESCRIPTION
54	432-02-031-5002	COVER
55	901-03-010-3318	#10-32 X 3/8" HEX SOC HD SCR
56	904-07-010-5569	3/4" FIBER WASHER
57	422-04-400-0005	HANDWHEEL (CMO), INCL:
58	901-04-190-0201	5/16-18 X 5/16" HEX SOC SET SCR
57A	930-03-991-0468	HANDWHEEL (EMO), INCL:
58A	901-04-190-0201	5/16-18 X 5/16" HEX SOC SET SCR
59	422-04-412-0009	LOCK KNOB (CMO)
59A	422-04-412-0007	LOCK KNOB (EMO)
60	1087794	RIVET
61	432-02-137-0003	NAMEPLATE
62	402-07-111-5002	STUD
63	402-07-104-5007	SPACER
64	422-04-116-0001	GASKET
65	1340100	SWITCH COVER ASSY
66	901-02-010-0567	#06-32 X 1/4" ROUND HD SCR
67	422-04-305-0001	SUB BASE
70	43-440	4 1/2" SPINDLE GUARD (FOR 1/2" & 3/4" SPINDLES ONLY), INCL:
71	432-02-104-0006	SPACER (FOR 3/4" SPINDLES ONLY)
*	43-555	ADAPTER (FOR 1/2" SPINDLES ONLY), CONST OF:
72	432-02-017-0004	BUSHING
73	432-02-104-0008	SPACER
75	43-441	6 1/2" SPINDLE GUARD (FOR 1/2" & 3/4" SPINDLES ONLY), INCL:
76	432-02-104-0006	SPACER
77	43-442	6 1/2" SPINDLE GUARD, INCL:
78	432-02-104-0007	SPACER (FOR 1 1/4" SPINDLES ONLY)
*	43-557	ADAPTER (FOR 1" SPINDLES ONLY), CONST OF:
79	432-02-017-0002	BUSHING
80	432-02-104-0010	SPACER

AVAILABLE AS AN ACCESSORY

85	43-829	VACUUM ADAPTER, INCL:
86	901-02-010-0582	#10-32 X 5/8" ROUND HD SCR
87	904-01-010-1610	FLAT WASHER
**	43-824	ROUTER BIT ADAPTER, INCL:
**	698799	1/4" COLLET (ORDER PART FROM PORTER CABLE CORP.)
**	698800	1/2" COLLET (ORDER PART FROM PORTER CABLE CORP.)

ITEMS LISTED BELOW FOR USE ON LIMITED EDITION MODEL 43-379 ONLY

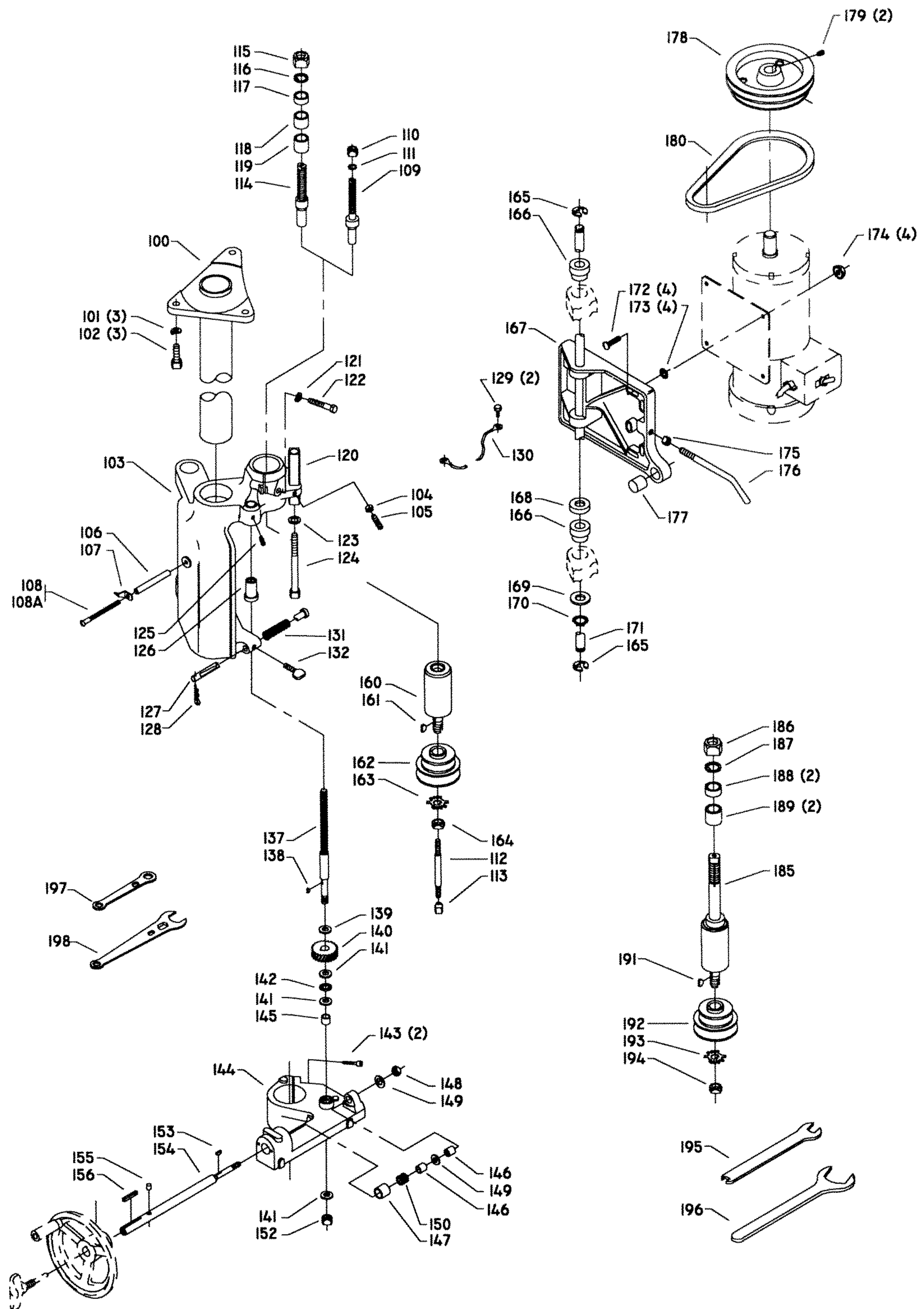
90	432-02-014-0003	STARTER BRACKET
91	902-01-293-1513	#10-32 KEPS NUT
92	901-02-403-1131	1/4-20 X 7/8" TRUSS HD SCR
93	438-01-011-0020	INSULATOR
94	438-01-016-0194	STARTER, GPE, 1PH, 230V (CMO)
95	901-02-403-1695	#10-32 X 7/8" PAN HD SCR
96	438-01-016-0186	STARTER, MTE, 1PH, 230V (EMO)
97	438-01-004-0007	CORD CLAMP
98	438-01-011-0054	INSULATOR SLEEVE
99	438-01-302-2013	POWER CORD, 230V

* NOT SHOWN ASSEMBLED

** NOT SHOWN

EMO = EARLY MODELS ONLY

CMO = CURRENT MODELS ONLY



REPLACEMENT PARTS

<u>REF. NO.</u>	<u>PART NUMBER</u>	<u>DESCRIPTION</u>	<u>REF. NO.</u>	<u>PART NUMBER</u>	<u>DESCRIPTION</u>
100	432-02-403-5001	FLANGE ASSY	150	432-02-051-0001	SPIRAL GEAR
101	904-02-020-1705	1/2" LOCK WASHER	152	902-01-281-7295	NYLOC NUT
102	901-01-060-0672	1/2-20 X 1 1/4" HEX HD SCR	153	927-01-010-2631	KEY
103	432-02-012-0001	SPINDLE HOUSING ASSY, <i>INCL:</i>	154	432-02-106-0002	HORIZONTAL RAISING SCR
104	902-01-010-1300	5/16-18 HEX NUT	155	422-04-074-0001	PLUG
105	901-04-193-1403	5/16-18 X 1" HEX SOC SET SCR	156	927-03-010-2650	1 3/8" KEY
106	432-02-104-5001	SPACER	160	432-02-385-0003	SLEEVE ASSY (<i>FOR 1/2 & 3/4" SPINDLES ONLY, SEE NOTE A</i>), <i>INCL:</i>
107	422-04-075-5001	POINTER	161	927-01-100-2606	KEY
108	901-02-013-1813	5/16-18 X 3 1/2" RD HD SCR (<i>CMO</i>)	162	41-107	2-SPEED SPINDLE PULLEY
108A	901-02-010-0915	1/4-20 X 3 1/2" RD HD SCR (<i>EMO</i>)	163	432-02-079-0001	RETAINER
109	43-347	1/2" SPINDLE (<i>FOR 1/2 & 3/4" SPINDLES ONLY</i>), <i>INCL:</i>	164	902-07-030-7171	.802-28 BEARING NUT
110	902-01-201-2575	1/2-16 SPECIAL HEX NUT	165	904-15-060-7443	EXT RET RING
111	904-05-010-1646	SPECIAL KEYED WASHER	166	932-01-010-2860	BUSHING
112	952-01-111-3261	TIE ROD	167	432-02-005-0001	MOTOR PLATE
113	902-01-201-2584	5/16-18 HEX NUT (<i>FOR 1/2 & 3/4" SPINDLES ONLY</i>)	168	432-02-079-5001	RETAINER
114	43-937	3/4" SPINDLE (<i>FOR 1/2 & 3/4" SPINDLES ONLY</i>), <i>INCL:</i>	169	904-01-010-1611	13/16" FLAT WASHER
115	902-01-131-3082	SPECIAL NUT	170	928-07-010-7378	FINGER SPRING WASHER
116	904-05-010-6662	SPECIAL KEYED WASHER	171	432-02-106-0001	SHAFT
117	904-10-031-4506	1-1/4 X 1/2" COLLAR (<i>FOR 3/4" SPINDLES ONLY</i>)	172	901-11-020-0830	5/16-18 X 1 1/4" CARRIAGE HD SCR
118	904-10-031-4507	1-1/4 X 3/4" COLLAR (<i>FOR 3/4" SPINDLES ONLY</i>)	173	904-03-030-1656	5/16" EXT TOOTH WASHER
119	904-10-031-4508	1-1/4 X 1" COLLAR (<i>FOR 3/4" SPINDLES ONLY</i>)	174	902-01-503-1514	5/16-18 FLANGE NUT
120	432-02-110-5001	HEX GUIDE POST	175	902-01-201-2579	7/16-14 HEX NUT
121	904-02-020-1704	3/8" LOCK WASHER	176	432-02-067-0002	LEVER
122	901-01-060-0646	3/8-16 X 2" HEX HD SCR (<i>SEE NOTE A</i>)	177	432-02-016-5001	BUMPER
123	904-01-031-2905	FLAT WASHER	178	41-106	MOTOR PULLEY, (<i>SEE NOTE B</i>), <i>INCL:</i>
124	901-01-060-0685	1/2-20 X 5" HEX HD SCR	179	901-04-150-0206	5/16-18 X 5/16" HEX SOC SET SCR
125	901-04-190-0201	5/16-18 X 5/16" HEX SOC SET SCR	180	49-101	V-BELT - 29-1/8 IN OC
126	432-02-105-5002	RAISING NUT	185	43-822	1" SPINDLE (<i>FOR 1" SPINDLES ONLY, SEE NOTE A</i>), <i>INCL:</i>
127	432-02-071-0001	PIN	186	902-01-201-8553	1-14 HEX NUT
128	905-05-040-2106	1/8" X 1 1/4" COTTER PIN	187	904-05-010-6674	SPECIAL KEYED WASHER
129	901-03-010-3318	#10-32 X 3/8" HEX SOC HD SCR	*	43-823	SPACER COLLAR SET (<i>FOR 1" SPINDLES ONLY</i>), <i>CONST OF:</i>
130	438-01-320-0258	JUMPER WIRE	188	432-02-105-0002	1/2" COLLAR
131	432-02-122-0001	SPRING	189	432-02-105-0001	1" COLLAR
132	901-04-260-1528	5/16-18 X 1" THUMB SCR	191	927-01-100-2606	KEY
*	432-02-314-0006	ELEVATING BRACKET/GEAR ASSY, <i>CONST OF:</i>	192	41-107	2-SPEED SPINDLE PULLEY
137	432-02-112-0001	VERTICAL RAISING SCR	193	432-02-079-0001	RETAINER
138	927-01-010-2633	WOODRUFF KEY	194	902-07-030-7171	.802-28 BEARING NUT
139	904-01-031-2905	FLAT WASHER	195	955-01-040-1485	WRENCH
140	432-02-051-0002	SPIRAL GEAR	196	404-01-101-5001	WRENCH
141	920-76-033-1392	THRUST BEARING	197	955-01-020-0023	.567" X .88" BOX END WRENCH
142	920-45-013-1412	THRUST BEARING	198	955-01-050-1467	WRENCH (<i>FOR 1/2 & 3/4" SPINDLES ONLY</i>)
143	901-03-010-0760	1/4-20 X 1 1/4" HEX SOC HD SCR			
144	432-02-314-0005	BRACKET ASSY W/BUSHING, <i>INCL:</i>			
145	920-75-013-1524	BEARING			
146	920-75-013-1523	BEARING			
147	920-75-011-2784	SLEEVE BEARING			
148	902-01-213-1635	3/8-16 LOCK NUT			
149	920-76-033-1391	SPECIAL WASHER			

* NOT SHOWN ASSEMBLED
 ** NOT SHOWN
 EMO = EARLY MODELS ONLY
 CMO = CURRENT MODELS ONLY

SERVICE NOTES:

A- When replacing Spindle Cartridge (Ref No 160 or 185, Bolt (Ref No 122)) should be tightened 7 to 10 foot pounds.

B- A 3/4" bore version of this pulley is also available as Cat No 41-105

STANDARD SAFETY EQUIPMENT

In order to promote tool safety, Delta International Machinery Corp. strictly enforces the policy of repairing or replacing any damaged or missing standard safety equipment on machines presented to Delta Authorized Service Centers for service/repair. Any product which is presented to a Delta Authorized Service Center for repairs which contains missing or damaged standard safety equipment will have that equipment repaired or replaced and the customer will be charged for any such service/repairs. Customers can avoid such charges only if the missing safety component is supplied to the service center at the time of repair.

This parts list is provided to aid in obtaining service parts. Copies of the instruction and maintenance literature can be obtained through the Delta Technical Publications Department or through your local service outlet.