



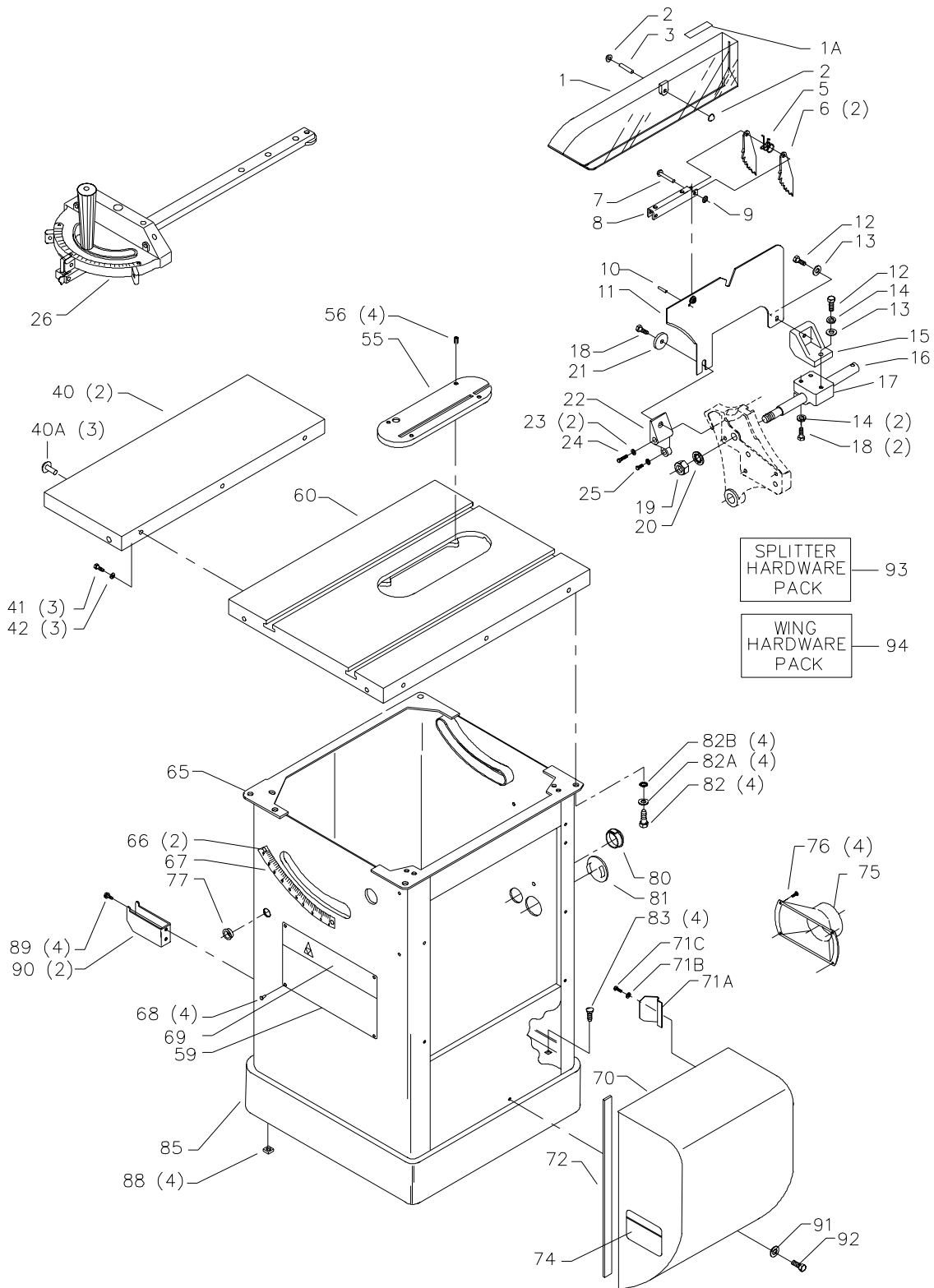
36-R31, 36-R31X, 36-R51,  
36-R51L, 36-R53L  
10" TILTING ARBOR UNISAW®  
RIGHT TILT

CS-4K-15-2

PART NO. 422-04-651-0070

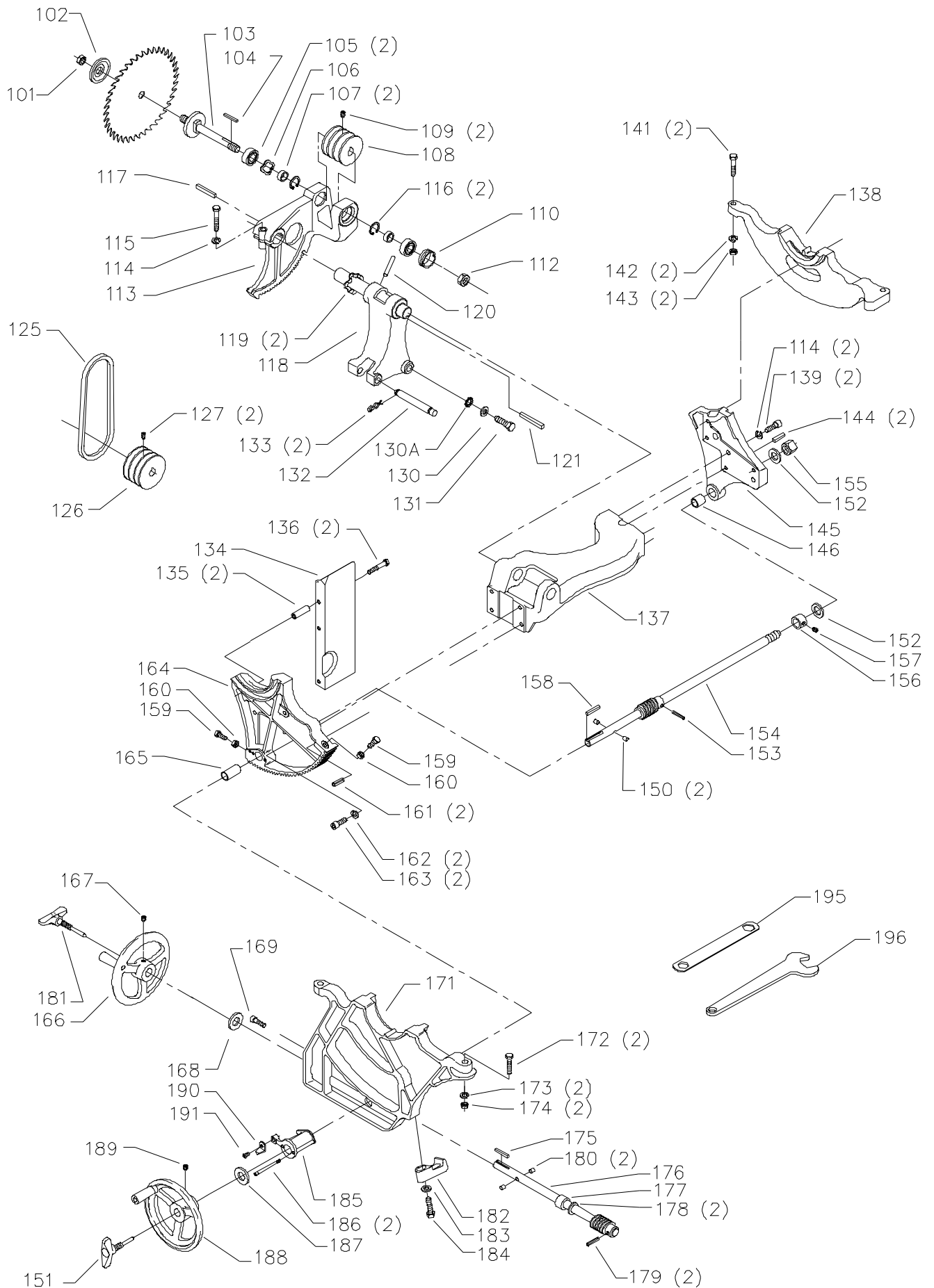
Dated

06-08-04



# REPLACEMENT PARTS

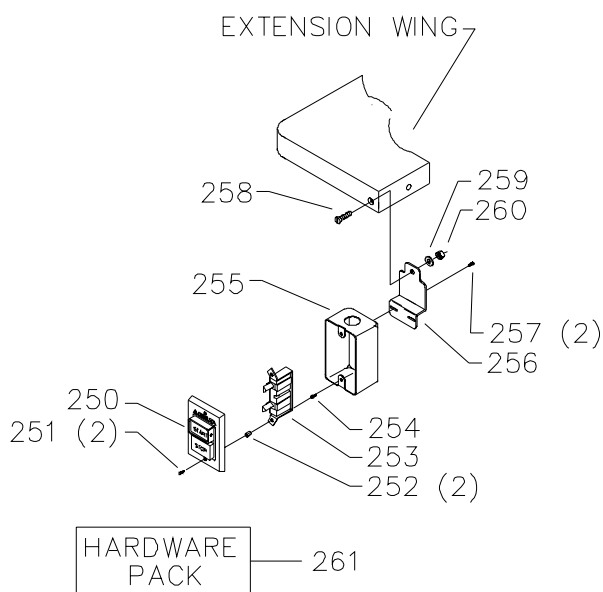
Ref.	Part No.	Description	Ref.	Part No.	Description
*	734639	BLADE GUARD COMPLETE, INCL.:	60	422-04-391-0003	TABLE
*	1086935	BLADE GUARD, INCL.:	65	422-04-318-0022	CABINET ASSY , INCL.:
1	1086334	SEE THRU GUARD	66	1087794	RIVET
1A	422-04-754-0004	LABEL	67	422-04-132-0004	TILT SCALE
2	1086388	PUSH NUT CAP	68	1087794	RIVET
3	1087811	PIN	69	422-04-137-0013	WARNING LABEL
5	1086353	SPRING	70	422-04-331-0014	MOTOR COVER , INCL.:
6	422-16-047-0001	KICK BACK FINGER	71A	422-04-122-0005	SPRING CLIP 1 5/8" LONG
7	422-04-071-0007	PIN	71B	904-01-013-1868	#10 FLAT WASHER
8	1086337	PIVOT BRACKET	71C	901-02-453-1123	10-32 X 1/2 PAN HD SCREW
9	1086387	PUSH NUT	72	400-06-416-0003	GASKET 1/2" THICK
10	905-01-010-6729	5/32" X 11/16" SPRING PIN	74	422-04-752-0184	WARNING LABEL
11	422-04-086-0002	SPLITTER W/BUSHING	75	406-12-026-0001	DUST CHUTE
12	901-01-060-0649	5/16-18 X 1" HEX HD SCREW	76	901-05-213-1498	#10 X 1/2" HEX WASHER HD SCREW
13	904-01-010-1620	FLAT WASHER	77	438-01-011-0021	INSULATOR
14	904-02-010-1703	5/16" LOCK WASHER	80	438-01-011-0065	1.5" DIA HOLE PLUG
15	422-04-014-0018	BRACKET	81	438-01-011-0074	2" DIA HOLE PLUG
16	422-04-089-0003	SUPPORT ROD	82	901-03-010-1487	7/16-20 X 3/4" HEX SOC HD SCREW
17	422-04-014-0019	BRACKET	82A	904-10-031-2097	WASHER
18	901-01-060-0649	5/16-18 X 1" HEX HD SCREW	82B	904-03-030-1771	7/16 LOCK WASHER
19	902-01-020-1226	5/8-18 JAM NUT	83	901-11-020-0834	5/16-18 X 3/4" HEX SOC HD SCREW
20	904-03-020-1751	5/8" INT TOOTH WASHER	85	422-04-305-0001	SUB BASE
21	422-03-072-0001	PLATE	88	902-01-503-1514	5/16 - 18 FLANGE NUT
22	422-04-014-0037	SPLITTER BRACKET	89	901-05-213-1498	10 X 1/2" HEX HD SCREW
23	904-01-010-1620	5/16" FLAT WASHER	90	422-35-014-0002	BRACKET
24	901-03-013-1698	5/16-18 X 2" HEX SOC HD SCREW	91	904-01-013-1885	1/4" FLAT WASHER
25	901-03-010-0757	5/16-18 X 3/4" HEX SOC HD SCREW	92	901-03-010-3309	1/4-20 X 5/8" SOC HD CAP SCREW
26	34-895	MITER GAGE	93	422-04-725-0002	SPLITTER MTG. HARDWARE PACK
40	36-937	EXTENSION WING, INCL.:	94	422-04-725-0006	WING MTG. HARDWARE PACK
40A	438-01-011-0077	PLUG			
41	901-01-060-9964	7/16-20 X 1 1/4" HEX HD SCREW	*	NOT SHOWN ASSEMBLED	
42	904-10-031-2097	7/16" WASHER			
55	34-154	STANDARD INSERT, INCL.:			
56	901-04-461-5297	1/4-28 X 3/8" HEX SOC SET SCREW			
59	422-04-137-0012	NAMEPLATE, 36-R31, 36-R51, 36-R51L, & 36-R53L			
	422-04-137-0014	NAMEPLATE, 36-R31X			



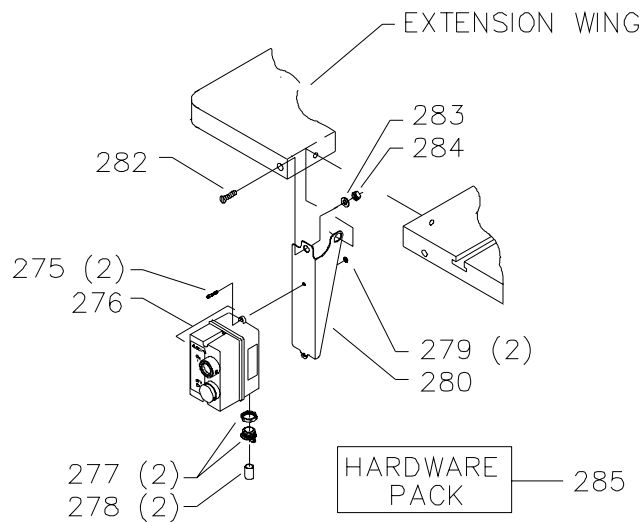
# REPLACEMENT PARTS

<u>Ref.</u>	<u>No.</u>	<u>Part No.</u>	<u>Description</u>	<u>Ref.</u>	<u>No.</u>	<u>Part No.</u>	<u>Description</u>
	*	422-04-314-5003	ARBOR BRACKET, INCL.:	164	422-04-395-5001		FRONT TRUNNION, INCL.:
101		902-01-200-9848	LH ARBOR NUT	165	920-75-011-3935		BUSHING
102		422-04-103-5001	FLANGE	166	422-04-400-0005		HANDWHEEL, INCL.:
103		422-04-303-0003	ARBOR & FLANGE				36-R31, 36-R51,
104		927-03-020-2660	1 1/2" KEY				36-R51L, & 36-R53L
105		1086894	BALL BEARING		422-04-400-0007		HANDWHEEL, INCL.:
106		928-06-020-7382	LOAD SPRING	167	901-04-190-0201		36-R31X
107		422-04-104-0002	SPACER	168	904-07-010-5569		5/16-18 X 5/16" HEX SOC SET SCREW
108		926-03-991-2328	ARBOR PULLEY, INCL.:	169	901-03-040-8016		3/4" FIBER WASHER
109		0908653	5/16-18 X 3/8" HEX SOC HD SCREW	171	422-04-014-5001		5/16-18 X 3/4" HEX SOC HD SCREW
110		902-07-020-7176	BEARING CLOSURE NUT	172	901-01-060-0682		FRONT BRACKET
112		902-01-200-9847	SPECIAL NUT	173	904-02-020-1704		3/8-24 X 1 1/2" HEX HD SCREW
113		422-04-314-5002	ARBOR BRACKET, INCL.:	174	902-01-010-1207		3/8" LOCK WASHER
114		904-02-020-1704	3/8" LOCK WASHER	175	927-03-010-2650		3/8-24 HEX NUT
115		901-01-060-3102	3/8-16 X 1 3/4" HEX HD SCREW	176	422-04-406-5001		1 3/8" KEY
116		904-15-101-7147	INTERNAL RETAINING RING	177	904-10-031-4509		TILT SHAFT W/WORM, INCL.:
117		927-03-010-2653	1 15/16" KEY	178	904-01-021-3577		COLLAR
118		422-04-314-5004	MOTOR BRACKET W/SHAFT, INCL.:	179	905-01-010-2706		3/4" FIBER WASHER
119		928-06-011-4128	1 1/4" WAVE WASHER	180	422-04-074-0001		3/16" X 1" SPRING PIN
120		905-01-010-5072	1/4" X 2" SPRING PIN	181	422-04-412-0009		PLUG
121		927-03-010-2657	2.937" KEY				LOCK KNOB, 36-R31, 36-R51,
125		49-124	SET OF 3 V-BELTS		422-04-412-0011		36-R51L, & 36-R53L
126		41-644	MOTOR PULLEY, INCL.:	182	422-04-055-0006		LOCK KNOB, 36-R31X
127		0908653	5/16-18 X 3/8" HEX SOC HD SCREW	183	904-10-031-2097		GUIDE BLOCK
130		904-10-031-2097	7/16" WASHER	184	901-01-060-0681		WASHER
130A		904-03-030-1771	7/16" LOCK WASHER	185	422-04-014-2008		7/16-20 X 1 1/2" HEX HD SCREW
131		901-01-060-0664	7/16-20 X 1" HEX HD SCREW	186	0919714		POINTER BRACKET
132		422-04-071-5001	STEEL PIN	187	904-07-010-5569		8-32 X 2" FILL HD SCREW
133		422-04-079-5001	SPRING CLIP	188	422-04-400-0005		3/4" FIBER WASHER
134		422-04-036-5001	DEFLECTOR				HANDWHEEL, INCL.:
135		422-04-104-5005	SLEEVE		422-04-400-0007		36-R31, 36-R51,
136		901-01-060-0613	5/16-18 X 1 3/4" HEX HD SCREW	189	901-04-190-0201		36-R51L, & 36-R53L
137		422-04-102-5002	YOKE	190	422-04-075-0002		HANDWHEEL, INCL.:
138		422-04-014-0042	BRACKET	191	901-06-110-3036		36-R31X
139		901-03-010-0775	3/8-16 X 1" HEX SOC HD SCREW	**	438-01-004-0054		5/16-18 X 5/16" HEX SOC SET SCREW
141		901-01-060-0682	3/8-24 X 1 1/2" HEX HD SCREW	195	422-39-101-0001		POINTER
142		904-02-020-1704	3/8" LOCK WASHER	196	955-01-050-1472		1/4-20 X 3/8" ROUND HD SCREW
143		902-01-010-1207	3/8-24 HEX NUT				CABLE TIE ( NOTE A)
144		905-01-010-2734	5/16" X 1" SPRING PIN	**	438-01-302-0381		7/8 X 1/2" WRENCH
145		422-04-395-5002	REAR TRUNNION, INCL.:	**	438-01-302-2004		WRENCH
146		920-75-011-3934	BEARING	**	438-02-314-6201		8' #14-3 1PH 230V 15A CORD
*		422-04-406-5002	RAISING SHAFT ASSY, INCL.:	**	83-651		9' #12-3 1PH 230V 20A CORD
150		422-04-074-0001	PLUG	**	438-02-314-6200		1 PH 3HP 230V MOTOR - WEG
151		422-04-412-0009	LOCK KNOB, 36-R31, 36-R51, 36-R51L, & 36-R53L	**	83-671		1 PH 3HP 230V MOTOR - MARATHON
		422-04-412-0011	LOCK KNOB, 36-R31X	**	438-02-314-6202		1 PH 5HP 230V MOTOR - WEG
152		904-01-021-3577	3/4" FIBER WASHER	**	86-656		1 PH 5HP 230V MOTOR - WEG
153		905-01-010-2706	3/16" X 1" SPRING PIN	*			3 PH 5HP 230V MOTOR - MARATHON
154		422-04-406-0001	SHAFT W/WORM, INCL.:	**			NOT SHOWN ASSEMBLED
155		902-01-210-1036	3/4-16 LOCK NUT	**			NOT SHOWN
156		434-01-404-0001	COLLAR, INCL.:				
157		901-04-190-0201	5/16-18 X 5/16" HEX SOC SET SCREW				
158		927-03-010-2650	1 3/8" KEY				
159		901-01-060-5769	5/16-24 X 1" HEX HD SCREW				
160		902-01-020-1228	5/16-24 JAM NUT				
161		905-01-010-2734	5/16" X 1" SPRING PIN				
162		904-02-020-1704	3/8" LOCK WASHER				
163		901-03-010-0775	3/8-16 X 1" HEX SOC HD SCREW				

**NOTE A:** USED TO SECURE MOTOR SWITCH CORDS, SEE INSTRUCTION MANUAL FOR DETAILS.



FOR USE WITH LVC MODELS ONLY



FOR USE WITH GPE MODELS ONLY

<b>Ref. No.</b>	<b>Part No.</b>	<b>Description</b>
250	1340100	SWITCH COVER ASSY
251	901-02-010-0567	#06-32 X 1/4" ROUND HD SCREW
252	402-07-104-5007	SPACER
253	438-01-017-0101	MAGNETIC SWITCH
254	402-07-111-5002	STUD
255	438-01-001-0036	SWITCH BOX
256	422-40-014-0006	MOUNTING BRACKET
257	901-05-163-1126	#08-32 X 5/16" PAN HD SCREW
258	901-03-033-1881	5/16-18 X 1 1/4" FLAT HD SCREW
259	904-01-010-1620	FLAT WASHER
260	902-01-010-1300	5/16-18 HEX NUT
261	422-04-725-0003	MTG. HARDWARE PACK
275	901-02-453-1123	#10-32 X 1/2" PAN HD SCREW
276	438-01-016-0199	STARTER,GPE,1PH,230V, INCL:
277	438-01-004-0007	CORD CLAMP
278	438-01-011-0054	INSULATOR SLEEVE
279	902-01-293-1513	#10-32 KEPS NUT
280	422-40-014-0014	MOUNTING BRACKET
282	901-03-033-1881	5/16-18 X 1 1/4" FLAT HD SCREW
283	904-01-010-1620	FLAT WASHER
284	902-01-010-1300	5/16-18 HEX NUT
285	422-40-725-0001	MTG. HARDWARE PACK

#### STANDARD SAFETY EQUIPMENT

In order to promote tool safety, Delta Machinery strictly enforces the policy of repairing or replacing any damaged or missing standard safety equipment on machines presented to Delta Authorized Service Centers for service/repairs. Any product that is presented to a Delta Authorized Service Centers for repairs which contains missing or damaged standard safety equipment will have that equipment repaired or replaced and the customer will be charged for any such service/repairs. Customers can avoid such charges only if the missing safety component is supplied to the service center at the time of repair.

*This parts list is provided to aid in obtaining service parts. Copies of the instruction and maintenance literature can be obtained through the Delta Technical Publications Department or through your service outlet.*