



36-L31, 36-L31X, 36-L51, 36-L51X,
36-L51L, & 36-L53L

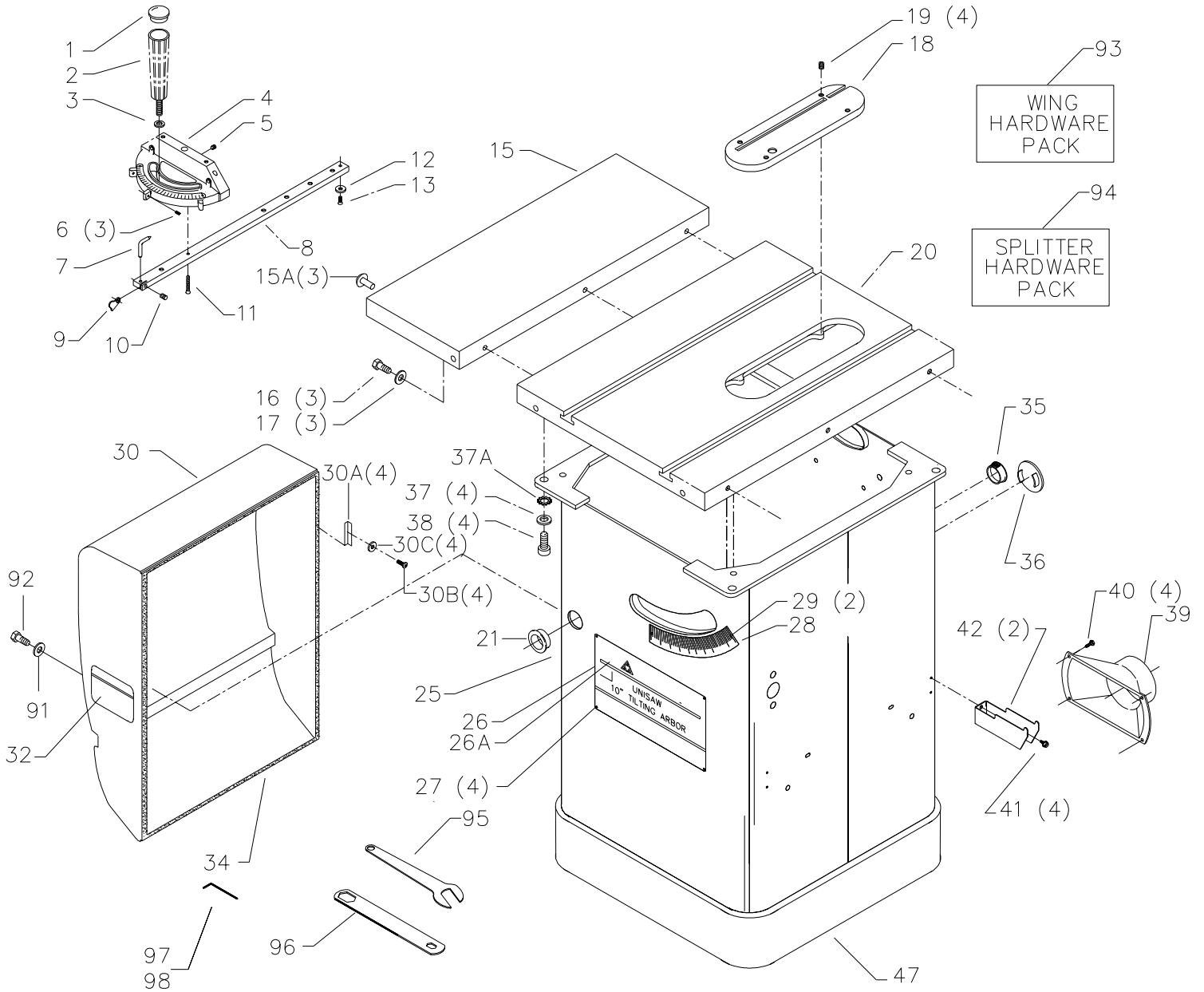
CS-4K-17-2

UNISAW®

10" LEFT TILTING ARBOR SAW

PART NO. 422-40651-0019

Date 06/03/04



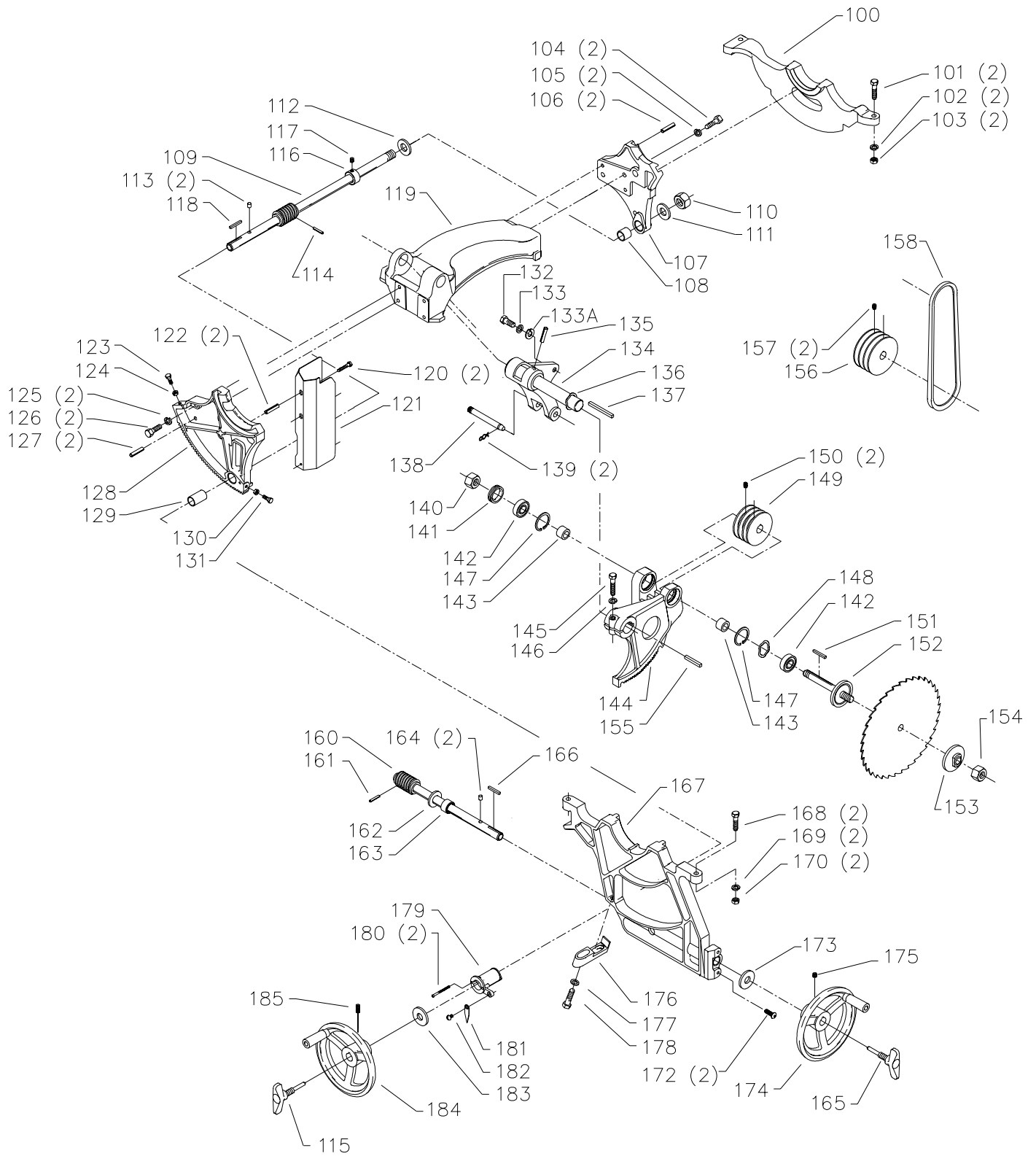
REPLACEMENT PARTS

Ref.	No.	Part No.	Description
	*	34-895	MITER GAGE, INCL.:
1		422-02-074-0001	PLUG, 36-L31, 36-L51, 36-L51L, & 36-L53L
2		422-02-060-0003	HANDLE, 36-L31, 36-L51, 36-L51L, & 36-L53L
		422-02-060-0004	HANDLE, 36-L31X, 36-L51X
3		904-07-010-5555	1/4" FIBER WASHER
4		422-01-355-0004	MITER GAGE BODY, INCL.:
5		901-04-150-1181	1/4-28 X 3/16" HEX SOC SET SCREW
6		901-04-150-9428	#08-32 X 1/2" HEX SOC SET SCREW
7		422-01-075-0001	POINTER
8		422-04-004-0001	BAR, INCL.:
9		422-01-088-0004	STOP LINK
10		901-04-150-1181	1/4-28 X 3/16" HEX SOC SET SCREW
11		422-01-112-0001	SCREW
12		422-04-072-0001	PLATE
13		901-02-030-5750	1/4-28 X 5/16" FLAT HD SCREW
15		36-937	EXTENSION TABLE, INCL.:
15A		438-01-011-0077	PLUG
16		901-01-060-9964	7/16-20 X 1 1/4" HEX HD SCREW
17		904-10-031-2097	7/16" FLAT WASHER
18		36-861	STANDARD INSERT, INCL.:
19		901-04-461-5297	1/4-28 X 3/8" HEX SOC SET SCREW
20		422-40-391-0001	TABLE
21		438-01-011-0021	INSULATOR
25		422-40-318-0010	CABINET ASSY, INCL.:
26		422-04-137-0012	NAMEPLATE, 36-L31, 36-L51, 36-L51L, & 36-L53L
		422-04-137-0014	NAMEPLATE, 36-L31X, 36-L51X
26A		422-04-137-0013	WARNING LABEL
27		1087794	RIVET
28		422-40-132-0002	TILT SCALE
29		1087794	RIVET
30		422-04-331-0014	MOTOR COVER, INCL.:
30A		422-04-122-0005	SPRING CLIP
30B		901-02-453-1123	10-32 X 1/2" PAN HD SCREW
30C		904-01-013-1868	#10 FLAT WASHER
32		422-04-752-0184	WARNING LABEL
34		400-06-416-0003	GASKET
35		438-01-011-0065	PLUG
36		438-01-011-0074	HOLE PLUG
37		904-10-031-2097	WASHER
37A		904-03-030-1771	7/16" EXT. TOOTH K24WASHER
38		901-03-010-1487	7/16-20 X 3/4" HEX SOC HD SCREW
39		406-12-026-0001	DUST CHUTE
40		901-05-213-1498	#10 X 1/2" HEX WASHER HD SCREW
41		901-05-213-1498	#10 X 1/2" HEX WASHER HD SCREW
42		422-35-014-0002	RIP FENCE HOLDER
91		904-01-013-1885	1/4" FLAT WASHER
92		901-03-010-3309	1/4-20 X 5/8" SOC HD CAP SCREW
93		422-04-725-0006	WING HDWE PACK
94		422-04-725-0002	SPLITTER HDWE PACK
47		422-04-305-0001	SUB BASE
95		955-01-050-1472	WRENCH
96		422-39-101-0001	7/8 X 1/2" WRENCH
97		955-03-010-0001	1/8" HEX WRENCH
98		955-03-010-2155	5/64" HEX WRENCH

USE ITEMS LISTED BELOW TO MOUNT CABINET TO SUB-BASE

**	901-11-020-0834	5/16-18 X 3/4" CARRAGE HD SCREW
**	902-01-503-1514	5/16-18 FLANGE NUT

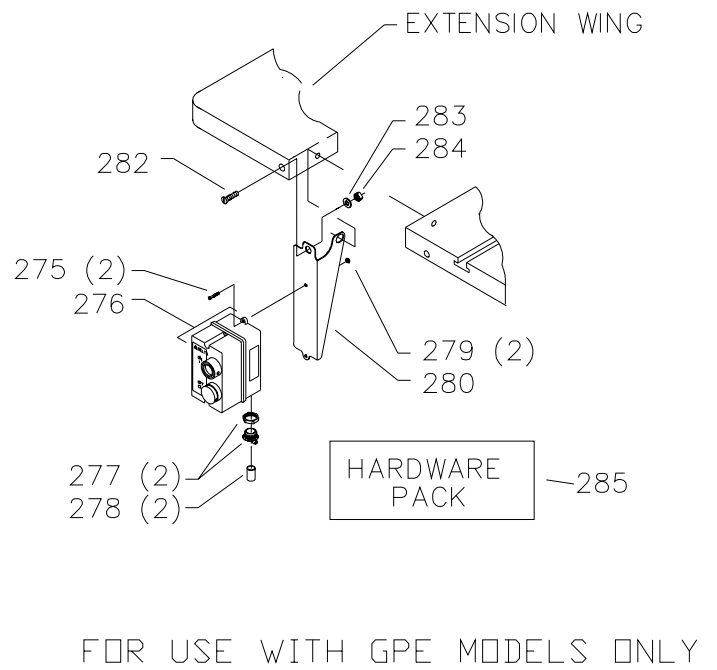
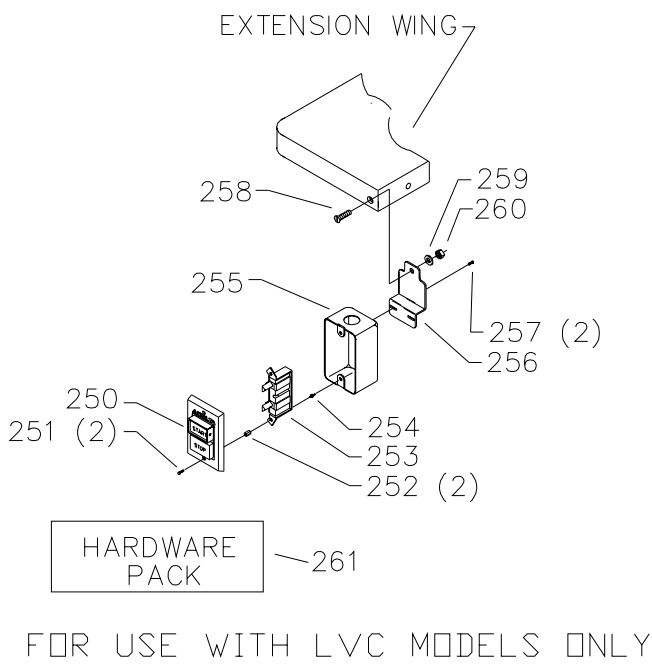
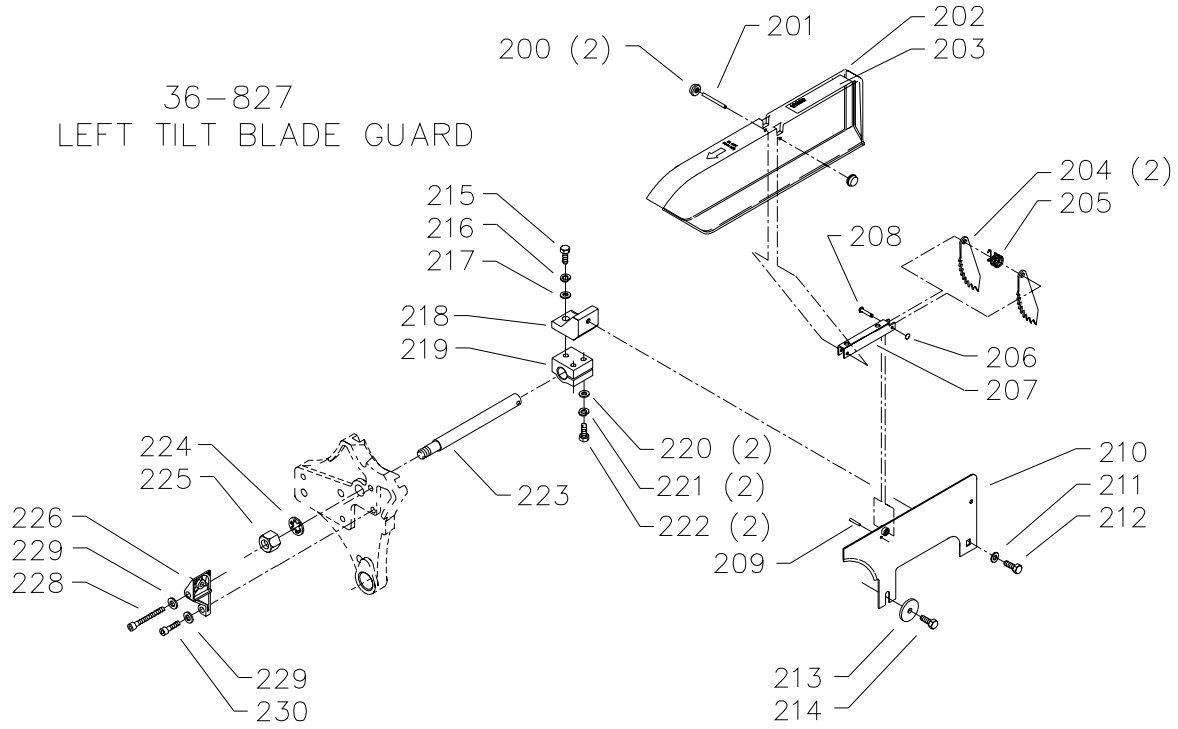
* NOT SHOWN ASSEMBLED
 ** NOT SHOWN



REPLACEMENT PARTS

Ref.			Ref.		
<u>No.</u>	<u>Part No.</u>	<u>Description</u>	<u>No.</u>	<u>Part No.</u>	<u>Description</u>
100	422-04-014-0042	REAR TRUNNION BRACKET	155	927-03-010-2653	1 15/16" KEY
101	901-01-060-0682	3/8-24 X 1 1/2" HEX HD SCREW	156	41-644	MOTOR PULLEY, INCL:
102	904-02-020-1704	3/8" LOCK WASHER	157	0908653	5/16-18 X 3/8" HEX SOC HD SCREW
103	902-01-010-1207	3/8-24 HEX NUT	158	49-124	V-BELTS - MATCHED SET OF THREE
104	901-03-010-0775	3/8-16 X 1" HEX SOC HD SCREW	160	422-04-406-5001	TILT SHAFT W/WORM, INCL:
105	904-02-020-1704	3/8" LOCK WASHER	161	905-01-010-2706	3/16" X 1" SPRING PIN
106	905-01-010-2734	5/16" X 1" SPRING PIN	162	904-01-021-3577	3/4" FIBER WASHER
107	422-40-395-0002	REAR TRUNNION, INCL:	163	904-10-031-4509	COLLAR
108	920-75-011-3934	BEARING	164	422-04-074-0001	PLUG
*	422-04-406-5002	RAISING SHAFT ASSY, INCL.:	165	422-04-412-0009	LOCK KNOB, 36-L31, 36-L51, 36-L51L, & 36-L53L
109	422-04-406-0001	SHAFT W/WORM, INCL:		422-04-412-0011	LOCK KNOB, 36-L31X, 36-L51X
110	902-01-210-1036	3/4-16 LOCK NUT		927-03-010-2650	1 3/8" KEY
111	904-01-021-3577	3/4" FIBER WASHER	166	422-40-014-0001	FRONT TRUNNION BRACKET
112	904-01-021-3577	3/4" FIBER WASHER	167	901-01-060-0682	3/8-24 X 1 1/2" HEX HD SCREW
113	422-04-074-0001	PLUG	168	904-02-020-1704	3/8" LOCK WASHER
114	905-01-010-2706	3/16" X 1" SPRING PIN	169	902-01-010-1207	3/8-24 HEX NUT
115	422-04-412-0009	LOCK KNOB, 36-L31, 36-L51, 36-L51L, & 36-L53L	170	901-03-040-8016	5/16-18 X 3/4" HEX SOC HD SCREW
	422-04-412-0011	LOCK KNOB, 36-L31X, 36-L51X	172	904-07-010-5569	3/4" FIBER WASHER
116	434-01-404-0001	COLLAR, INCL:	173	n 422-04-400-0005	HANDWHEEL, INCL., 36-L31, 36-L51, 36-L51L, & 36-L53L
117	901-04-190-0201	5/16-18 X 5/16" HEX SOC SET SCREW		n 422-04-400-0007	HANDWHEEL, INCL., 36-L31X, 36-L51X
118	927-03-010-2650	1 3/8" KEY	175	901-04-190-0201	5/16-18 X 5/16" HEX SOC SET SCREW
119	422-40-102-0001	YOKE	176	422-04-055-0006	GUIDE BLOCK
120	901-01-060-0613	5/16-18 X 1 3/4" HEX HD SCREW	177	904-10-031-2097	WASHER
121	422-40-036-0001	DUST DEFLECTOR	178	901-01-060-0681	7/16-20 X 1 1/2" HEX HD SCREW
122	422-04-104-5005	SLEEVE	179	422-04-014-2008	POINTER BRACKET
123	901-01-060-5769	5/16-24 X 1" HEX HD SCREW	180	0919714	#08-32 X 2" FILL HD SCREW
124	902-01-020-1228	5/16-24 JAM NUT	181	422-40-075-0001	POINTER
125	904-02-020-1704	3/8" LOCK WASHER	182	901-06-110-3036	1/4-20 X 3/8" ROUND HD SCREW
126	901-03-010-0775	3/8-16 X 1" HEX SOC HD SCREW	183	904-07-010-5569	3/4" FIBER WASHER
127	905-01-010-2734	5/16" X 1" SPRING PIN	184	n 422-04-400-0005	HANDWHEEL, INCL., 36-L31, 36-L51, 36-L51L, & 36-L53L
128	422-40-395-0001	FRONT TRUNNION, INCL:		n 422-04-400-0007	HANDWHEEL, INCL., 36-L31X, 36-L51X
129	920-75-011-3935	BUSHING	185	901-04-190-0201	5/16-18 X 5/16" HEX SOC SET SCREW
130	902-01-020-1228	5/16-24 JAM NUT		*	NOT SHOWN ASSEMBLED
131	901-01-060-5769	5/16-24 X 1" HEX HD SCREW		**	NOT SHOWN
132	901-01-060-0664	7/16-20 X 1" HEX HD SCREW			
133	904-10-031-2097	WASHER			
133A	904-03-030-1771	7/16" EXT. TOOTH LOCK WASHER			
134	422-40-314-0004	MOTOR BRACKET W/SHAFT, INCL:			
135	905-01-010-5072	1/4" X 2" SPRING PIN			
136	928-06-011-4128	1 1/4" WAVE WASHER			
137	927-03-010-2657	2.937" KEY			
138	422-04-071-5001	STEEL PIN			
139	422-04-079-5001	SPRING CLIP			
*	422-40-314-0002	ARBOR BRACKET, INCL.:			
140	902-01-200-9847	SPECIAL NUT			
141	902-07-020-7176	BEARING CLOSURE NUT			
142	1086894	BALL BEARING			
143	422-04-104-0002	SPACER			
144	422-40-314-0003	ARBOR BRACKET, INCL:			
145	901-01-060-3102	3/8-16 X 1 3/4" HEX HD SCREW			
146	904-02-020-1704	3/8" LOCK WASHER			
147	904-15-101-7147	INTERNAL RETAINING RING			
148	928-06-020-7382	LOAD SPRING			
149	926-03-991-2328	ARBOR PULLEY, INCL:			
150	0908653	5/16-18 X 3/8" HEX SOC HD SCREW			
151	927-03-020-2660	1 1/2" KEY			
152	422-40-303-0002	ARBOR W/FLANGE			
153	422-04-103-5001	FLANGE			
154	902-01-201-2571	.656-12 JAM NUT			

36-827
LEFT TILT BLADE GUARD



REPLACEMENT PARTS

Ref.	No.	Part No.	Description
*		736827	LEFT TILT BLADE GUARD COMP, INCL.:
*		422-40-354-0003	LEFT TILT BLADE GUARD ASSY, INCL.:
200		1086388	PUSH NUT CAP
201		1087811	PIN
202		422-40-354-0004	LEFT TILT BLADE GUARD, INCL.:
203		422-40-754-0002	WARNING LABEL
204		422-16-047-0001	KICK BACK FINGER
205		1086353	SPRING
206		1086387	PUSH NUT
207		1086337	PIVOT BRACKET
208		422-04-071-0007	PIN
209		905-01-010-6729	5/32" X 11/16" SPRING PIN
210		422-04-086-0002	SPLITTER W/BUSHING
211		904-01-010-1620	5/16" FLAT WASHER
212		901-01-060-0649	5/16-18 X 1" HEX HD SCREW
213		422-03-072-0001	PLATE
214		901-01-060-0649	5/16-18 X 1" HEX HD SCREW
215		901-01-060-0649	5/16-18 X 1" HEX HD SCREW
216		904-02-010-1703	5/16" LOCK WASHER
217		904-01-010-1620	5/16" FLAT WASHER
218		422-04-014-0018	BRACKET
219		422-04-014-0019	BRACKET
220		904-01-010-1620	5/16" FLAT WASHER
221		904-02-010-1703	5/16" LOCK WASHER
222		901-01-060-0649	5/16-18 X 1" HEX HD SCREW
223		422-04-089-0003	SUPPORT ROD
224		904-03-020-1751	5/8" INT TOOTH WASHER
225		902-01-020-1226	5/8-18 JAM NUT
226		422-40-014-0005	SPLITTER MOUNTING BRACKET
228		901-03-013-1698	5/16-18 X 2" HEX SOC HD SCREW
229		904-01-010-1620	5/16" FLAT WASHER
230		901-03-010-0757	5/16-18 X 3/4" HEX SOC HD SCREW
250		1340100	SWITCH COVER ASSY
251		901-02-010-0567	#06-32 X 1/4" ROUND HD SCREW
252		402-07-104-5007	SPACER
253		438-01-017-0101	MAGNETIC SWITCH
254		402-07-111-5002	STUD
255		438-01-001-0036	SWITCH BOX
256		422-40-014-0006	LVC MOUNTING BRACKET
257		901-05-163-1126	#08-32 X 5/16" PAN HD SCREW
258		901-03-033-1881	5/16-18 X 1 1/4" FLAT HD SCREW
259		904-01-010-1620	FLAT WASHER
260		902-01-010-1300	5/16-18 HEX NUT
261		422-04-725-0003	MTG. HARDWARE PACK
275		901-02-453-1123	#10-32 X 1/2" PAN HD SCREW
276		438-01-016-0199	STARTER,GPE, 10 - 14 AMP,1PH,230V, INCL.:
		438-01-016-0204	STARTER,GPE,1PH,230V, 18 - 25 AMP, INCL.:
277		438-01-004-0007	CORD CLAMP
278		438-01-011-0054	INSULATOR SLEEVE
279		902-01-293-1513	#10-32 KEPS NUT
280	n	422-40-014-0014	MOUNTING BRACKET
282		901-03-033-1881	5/16-18 X 1 1/4" FLAT HD SCREW
283		904-01-010-1620	FLAT WASHER
284		902-01-010-1300	5/16-18 HEX NUT
285		422-40-725-0001	MTG. HARDWARE PACK
**		438-01-302-0381	8' #14-3 1PH 230V 15A CORD
**		438-01-302-2004	9' #12-3 1PH 230V 20A CORD
**		438-02-314-6204	1PH, 3HP, 230V MOTOR - WEG
**		83-653	1PH, 3HP, 230V MOTOR - MARATHON
**		438-02-314-6203	1PH, 5HP, 230V MOTOR - WEG
**		83-672	1PH, 5HP, 230V MOTOR - MARATHON
**		438-02-314-6205	3PH, 5HP, 230/460V MOTOR - WEG
**		87-372	3PH, 5HP, 230/460V MOTOR - MARATHON
*			NOT SHOWN ASSEMBLED
**			NOT SHOWN

STANDARD SAFETY EQUIPMENT

In order to promote tool safety, Delta Machinery strictly enforces the policy of repairing or replacing any damaged or missing standard safety equipment on machines presented to Delta Authorized Service Centers for service/repairs. Any product that is presented to a Delta Authorized Service Centers for repairs which contains missing or damaged standard safety equipment will have that equipment repaired or replaced and the customer will be charged for any such service/repairs. Customers can avoid such charges only if the missing safety component is supplied to the service center at the time of repair.

This parts list is provided to aid in obtaining service parts. Copies of the instruction and maintenance literature can be obtained through the Delta Technical Publications Department or through your service outlet.