

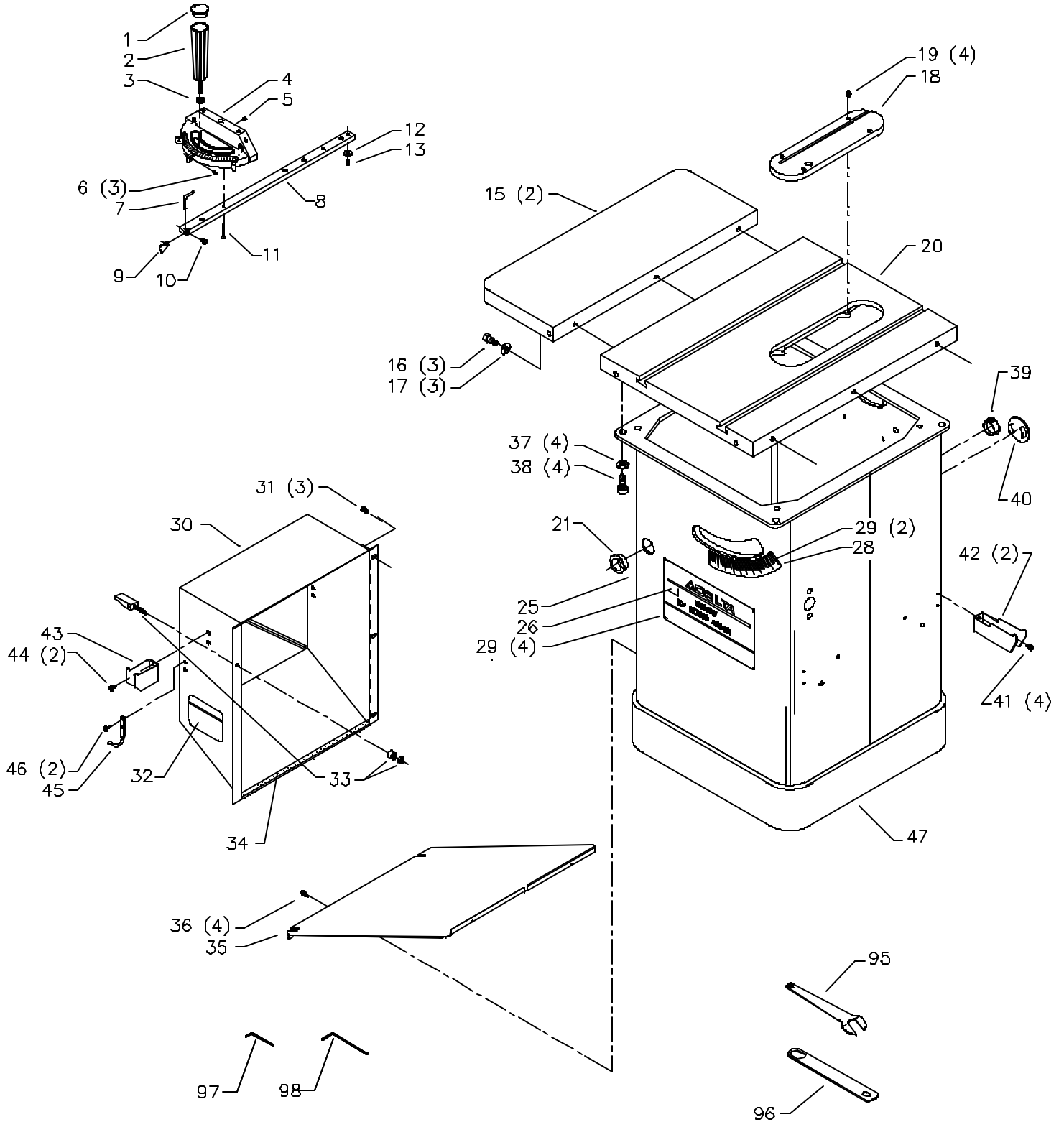


36-960L
UNISAW LEFT TILT – TILTING
ARBOR SAW
PLATIUM EDITION

CS-4K-17

PART NO. 422-40-651-0004

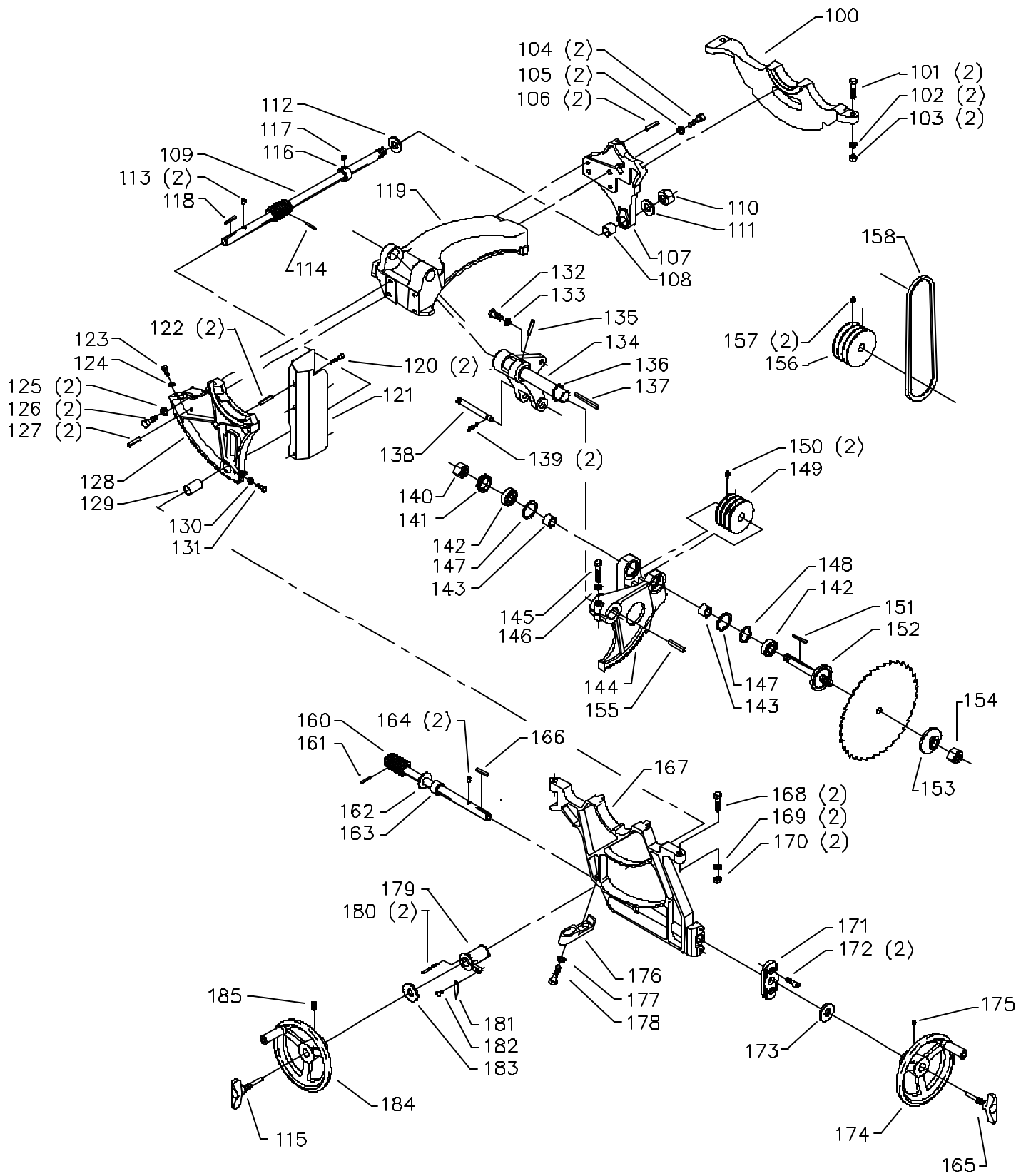
06/05/2000



REPLACEMENT PARTS

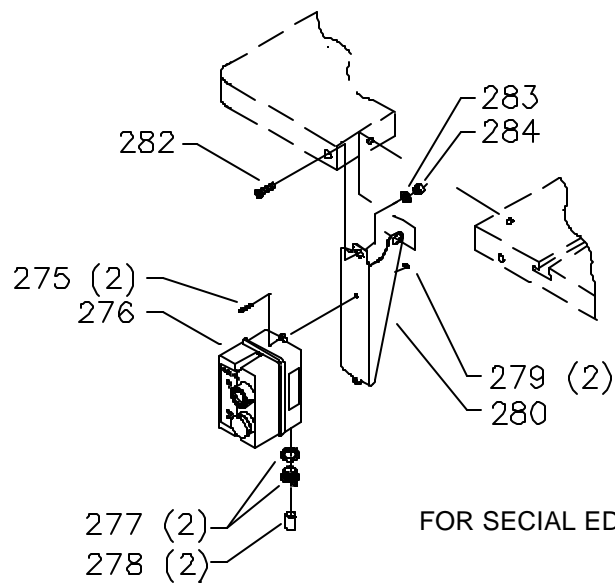
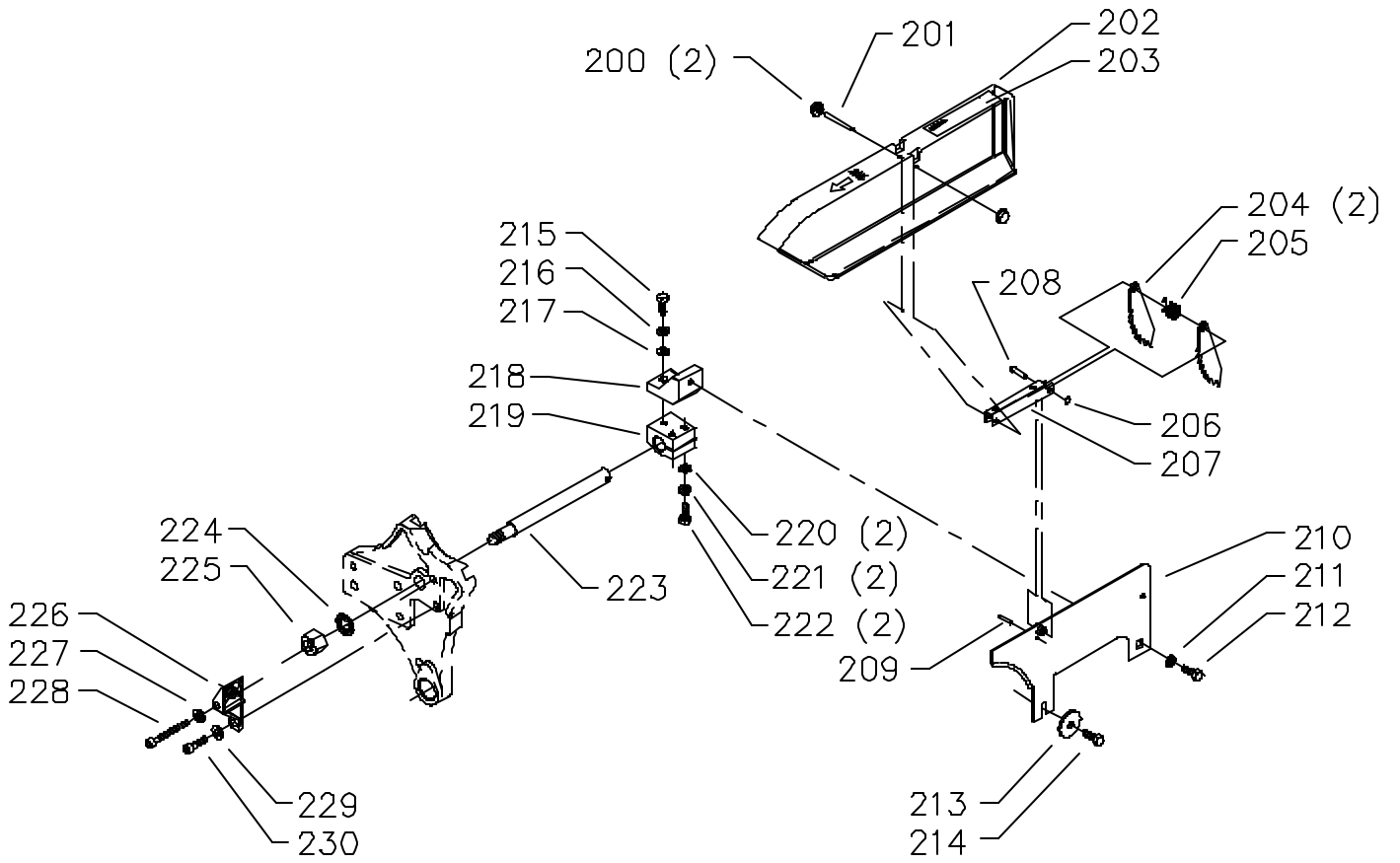
Ref.

No.	Part No.	Description
*	34-895	MITER GAGE, CONST OF:
1	422-02-074-0001	PLUG
2	422-02-060-0003	HANDLE
3	904-07-010-5555	1/4" FIBER WASHER
4	422-01-355-0004	MITER GAGE BODY, INCL:
5	901-04-150-1181	1/4-28 X 3/16" HEX SOC SET SCREW
6	901-04-150-9428	#08-32 X 1/2" HEX SOC SET SCREW
7	422-01-075-0001	POINTER
8	422-04-004-0001	BAR, INCL:
9	422-01-088-0004	STOP LINK
10	901-04-150-1181	1/4-28 X 3/16" HEX SOC SET SCREW
11	422-01-112-0001	SCREW
12	422-04-072-0001	PLATE
13	901-02-030-5750	1/4-28 X 5/16" FLAT HD SCREW
15	422191090006	10" EXT. WING, INCL:
16	901-01-060-9964	7/16-20 X 1 1/4" HEX HD SCREW
17	901-01-060-9964	WASHER
18	904-10-031-2097	STANDARD INSERT, INCL:
19	901-04-461-5297	1/4-28 X 3/8" HEX SOC SET SCREW
20	422-40-391-0001	TABLE
21	438-01-011-0021	INSULATOR
25	422-40-318-0004	CABINET ASSY, INCL:
26	422-40-137-0009	NAMEPLATE
28	422-40-132-0001	TILT SCALE
29	1087794	RIVET
30	422-40-331-0004	HINGED MOTOR COVER, INCL:
31	901-05-213-1498	#10 X 1/2" HEX WASHER HD SCREW
32	422-04-752-0175	WARNING LABEL
33	537-85-004-0001	LATCH W/BUSH & NUT
34	400-06-416-0001	GASKET
35	422-04-026-0003	DUST CHUTE
36	901-05-213-1498	#10 X 1/2" HEX WASHER HD SCREW
37	904-10-031-2097	WASHER
38	901-03-010-1487	7/16-20 X 3/4" HEX SOC HD SCREW
39	438-01-011-0065	PLUG
40	438-01-011-0074	HOLE PLUG - 2" DIA
41	901-05-213-1498	#10 X 1/2" HEX WASHER HD SCREW
42	422-35-014-0002	RIP FENCE HOLDER
43	422-35-014-0001	MITER GAGE HOLDER
44	901-05-213-1498	#10 X 1/2" HEX WASHER HD SCREW
45	422-35-060-0001	WRENCH HOOK
46	901-05-213-1498	#10 X 1/2" HEX WASHER HD SCREW
47	422-04-305-0001	SUB BASE
95	955-01-050-1472	WRENCH
96	422-39-101-0001	WRENCH -7/8 X 1/2"
97	955-03-010-0001	1/8" WRENCH
98	955-03-010-2155	5/64" ALLEN WRENCH
		USE ITEMS LISTED BELOW TO MOUNT CABINET TO SUB-BASE
*	901-11-020-0834	5/16-18 X 3/4" CARRIAGE HD SCREW
*	904-01-010-1620	FLAT WASHER (TO MOUNT BASE)
*	904-02-010-1703	5/16" LOCK WASHER (TO MOUNT BASE)
*	902-02-040-1303	5/16-18 SQUARE NUT (TO MOUNT BASE)
*		NOT SHOWN ASSEMBLED
**		NOT SHOWN



REPLACEMENT PARTS

Ref.	Part No.	Description	Ref.	Part No.	Description
100	422-04-014-0042	TRUNNION BRACKET - REAR	161	905-01-010-2706	3/16" X 1" SPRING PIN
101	901-01-060-0682	3/8-24 X 1 1/2" HEX HD SCREW	162	904-01-021-3577	3/4" FIBER WASHER
102	904-02-020-1704	3/8" LOCK WASHER	163	904-10-031-4509	COLLAR
103	902-01-010-1207	3/8-24 HEX NUT	164	422-04-074-0001	PLUG
104	901-03-010-0775	3/8-16 X 1" HEX SOC HD SCREW	165	422-04-412-0009	LOCK KNOB (CMO)
105	904-02-020-1704	3/8" LOCK WASHER	166	927-03-010-2650	1 3/8" KEY
106	905-01-010-2734	5/16" X 1" SPRING PIN	167	422-40-014-0001	FRONT TRUNNION BRACKET
107	422-40-395-0002	TRUNNION - REAR, INCL:	168	901-01-060-0682	3/8-24 X 1 1/2" HEX HD SCREW
108	920-75-011-3934	BEARING	169	904-02-020-1704	3/8" LOCK WASHER
*	422-04-406-5002	RAISING SHAFT ASSY, CONST OF:	170	902-01-010-1207	3/8-24 HEX NUT
109	422-04-406-0001	SHAFT W/WORM, INCL:	171	422-04-031-0015	COVER PLATE
110	902-01-210-1036	3/4-16 LOCK NUT	172	901-03-010-0750	5/16-18 X 1" HEX SOC HD SCREW
111	904-01-021-3577	3/4" FIBER WASHER	173	904-07-010-5569	3/4" FIBER WASHER
112	904-01-021-3577	3/4" FIBER WASHER	174	422-04-400-0005	HANDWHEEL (CMO), INCL:
113	422-04-074-0001	PLUG	175	901-04-190-0201	5/16-18 X 5/16" HEX SOC SET SCREW (CMC)
114	905-01-010-2706	3/16" X 1" SPRING PIN	176	422-04-055-0006	GUIDE BLOCK
115	422-04-412-0009	LOCK KNOB (CMO)	177	904-10-031-2097	WASHER
116	434-01-404-0001	COLLAR, INCL:	178	901-01-060-0681	7/16-20 X 1 1/2" HEX HD SCREW
117	901-04-190-0201	5/16-18 X 5/16" HEX SOC SET SCREW	179	422-04-014-2008	POINTER BRACKET
118	927-03-010-2650	1 3/8" KEY	180	0919714	#08-32 X 2" FILL HD SCREW
119	422-40-102-0001	YOKE	181	422-40-075-0001	POINTER
120	901-01-060-0613	5/16-18 X 1 3/4" HEX HD SCREW	182	901-06-110-3036	1/4-20 X 3/8" ROUND HD SCREW
121	422-40-036-0001	DUST DEFLECTOR	183	904-07-010-5569	3/4" FIBER WASHER
122	422-04-104-5005	SLEEVE	184	422-04-400-0005	HANDWHEEL (CMO), INCL:
123	901-01-060-5769	5/16-24 X 1" HEX HD SCREW	185	901-04-190-0201	5/16-18 X 5/16" HEX SOC SET SCREW (CMC)
124	902-01-020-1228	5/16-24 JAM NUT	**	83-365	MOTOR - 1PH, 3HP
125	904-02-020-1704	3/8" LOCK WASHER	**	83-672	MOTOR - 1PH, 5HP
126	901-03-010-0775	3/8-16 X 1" HEX SOC HD SCREW	**	87-372	MOTOR - 3PH, 230V
127	905-01-010-2734	5/16" X 1" SPRING PIN	**	87-373	MOTOR - 3PH, 200V
128	422-40-395-0001	FRONT TRUNNION, INCL:	*		NOT SHOWN ASSEMBLED
129	920-75-011-3935	BUSHING	**		NOT SHOWN
130	902-01-020-1228	5/16-24 JAM NUT			
131	901-01-060-5769	5/16-24 X 1" HEX HD SCREW			
132	901-01-060-0664	7/16-20 X 1" HEX HD SCREW			
133	904-10-031-2097	WASHER			
134	422-40-314-0004	MOTOR BRACKET W/SHAFT, INCL:			
135	905-01-010-5072	1/4" X 2" SPRING PIN			
136	928-06-011-4128	1 1/4" WAVE WASHER			
137	927-03-010-2657	2.937" KEY			
138	422-04-071-5001	STEEL PIN			
139	422-04-079-5001	SPRING CLIP			
*	422-40-314-0002	ARBOR BRACKET, CONST OF:			
140	902-01-200-9847	SPECIAL NUT			
141	902-07-020-7176	BEARING CLOSURE NUT			
142	1086894	BALL BEARING			
143	422-04-104-0002	SPACER			
144	422-40-314-0003	ARBOR BRACKET, INCL:			
145	901-01-060-3102	3/8-16 X 1 3/4" HEX HD SCREW			
146	904-02-020-1704	3/8" LOCK WASHER			
147	904-15-101-7147	INTERNAL RETAINING RING			
148	928-06-020-7382	LOAD SPRING			
149	926-03-991-2328	ARBOR PULLEY, INCL:			
150	0908653	5/16-18 X 3/8" HEX SOC HD SCREW			
151	927-03-020-2660	1 1/2" KEY			
152	422-40-303-0002	ARBOR W/FLANGE			
153	422-04-103-5001	FLANGE			
154	902-01-201-2571	.656-12 JAM NUT			
155	927-03-010-2653	1 15/16" KEY			
156	41-644	MOTOR PULLEY, INCL:			
157	0908653	5/16-18 X 3/8" HEX SOC HD SCREW			
158	49-124	V-BELTS - MATCHED SET OF THREE			
160	422-04-406-5001	TILT SHAFT W/WORM, INCL:			

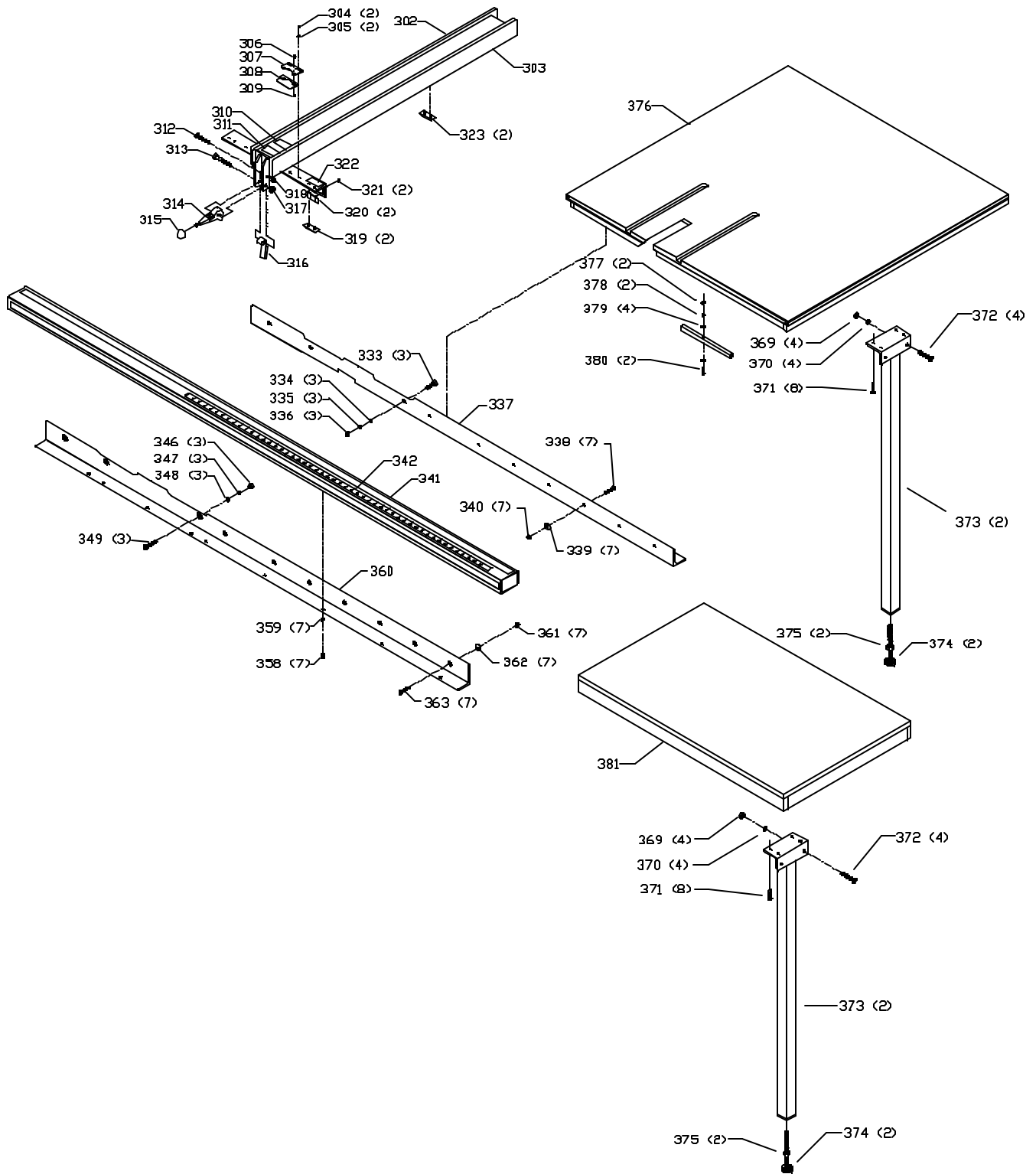


FOR SPECIAL EDITION (GPE) MODELS ONLY

REPLACEMENT PARTS

Ref.	Part No.	Description
*	36-827	LEFT TILT BLADE GUARD COMPLETE, CON:
200	422-40-354-0003	LEFT TILT BLADE GUARD ASSY, CONST OF
*	1086388	PUSH NUT CAP
201	1087811	PIN
202	422-40-354-0004	LEFT TILT BLADE GUARD, INCL:
203	422-40-754-0001	WARNING LABEL
204	422-16-047-0001	KICK BACK FINGER
205	1086353	SPRING
206	1086387	PUSH NUT
207	1086337	PIVOT BRACKET
208	422-04-071-0007	PIN
209	905-01-010-6729	5/32" X 11/16" SPRING PIN
210	1086911	SPLITTER W/BUSHING
211	904-01-010-1620	FLAT WASHER
212	901-01-060-0649	5/16-18 X 1" HEX HD SCREW
213	422-03-072-0001	PLATE
214	901-01-060-0649	5/16-18 X 1" HEX HD SCREW
215	901-01-060-0649	5/16-18 X 1" HEX HD SCREW
216	904-02-010-1703	5/16" LOCK WASHER
217	904-01-010-1620	FLAT WASHER
218	422-04-014-0018	BRACKET
219	422-04-014-0019	BRACKET
220	904-01-010-1620	FLAT WASHER
221	904-01-010-1620	FLAT WASHER
222	901-01-060-0649	5/16-18 X 1" HEX HD SCREW
223	422-04-089-0003	SUPPORT ROD
224	904-03-020-1751	5/8" INT TOOTH WASHER
225	902-01-020-1226	5/8-18 JAM NUT
226	422-40-014-0005	SPLITTER MOUNTING BRACKET
227	904-01-031-2934	1/4" FLAT WASHER
228	901-03-013-1698	5/16-18 X 2" HEX SOC HD SCREW
229	904-01-010-1620	FLAT WASHER
230	901-03-010-0757	5/16-18 X 3/4" HEX SOC HD SCREW
275	901-02-453-1123	#10-32 X 1/2" PAN HD SCREW
276	438-01-016-0204	STARTER, GPE, 1PH, 230V, INCL:
277	438-01-004-0007	CORD CLAMP
278	438-01-011-0054	INSULATOR SLEEVE
279	902-01-293-1513	#10-32 KEPS NUT
280	422-40-014-0007	MOUNTING BRACKET (GPE)
282	901-03-033-1046	5/16-18 X 1" FLAT HD SCREW
283	904-01-010-1620	FLAT WASHER
284	902-01-010-1300	5/16-18 HEX NUT

* NOT SHOWN ASSEMBLED



REPLACEMENT PARTS

Ref.	No.	Part No.	Description
	*	78-947	FENCE ASSY, INCL:
	302	1358004	LEFT BOARD KIT (SEE NOTE A)
	303	1358005	RIGHT BOARD KIT (SEE NOTE A)
	304	1350275	#10-32 X 3/8" ROUND HD SCREW
	305	1350276	FLAT WASHER
	306	1350315	#10-32 HEX NUT
	307	1350049	CURSOR MOUNT
	308	1350048	CURSOR
	309	1350316	#10-32 X 1/2" FLAT HD SCREW
	310	1350077	FLAG DECAL
	311	1350156	NAMEPLATE
	312	1350277	1/4-20 X 1 3/4" HEX HD SCREW
	313	1350278	SPECIAL SCREW
	314	1352410	CAM HANDLE ASSY
	315	1350050	KNOB
	316	1352412	CAM FOOT ASSY
	317	1350279	3/8-16 LOCK NUT
	318	1350280	1/4-20 LOCK NUT
	319	1350019	GLIDE PAD
	320	1350051	GLIDE PAD
	321	1350492	3/8-16 X 5/16" HEX SOC SET SCREW
	322	1350155	DECAL
	323	1350019	GLIDE PAD
	333	1350285	3/8-24 X 1 1/4" HEX HD SCREW
	334	1350286	FLAT WASHER
	335	1350288	3/8" LOCK WASHER
	336	1350287	3/8-24 HEX NUT
	337	1358008	REAR RAIL (30")
	338	1350289	1/4-20 X 1 1/2" FLAT HD SCREW
	339	1350317	1/4" FLAT WASHER
	340	1350284	1/4-20 HEX NUT
	341	1358009	GUIDE TUBE ASSY (30"), INCL:
	342	79-064	SCALE (SEE B)
	346	1350291	3/8-16 HEX NUT
	347	1350288	3/8" LOCK WASHER
	348	1350286	FLAT WASHER
	349	1352011	3/8-16 X 1 1/2" FLAT HD SCREW
	358	1350295	1/4-20 X 1/2" HEX HD SCREW
	359	1350293	1/4" LOCK WASHER
	360	1358007	FRONT RAIL (30")
	361	1350284	1/4-20 HEX NUT
	362	1350317	1/4" FLAT WASHER
	363	1350289	1/4-20 X 1 1/2" FLAT HD SCREW
	369	1350284	1/4-20 HEX NUT
	370	1350283	1/4" FLAT WASHER
	371	1350439	#08 X 5/8" PAN HD SCREW
	372	1350289	1/4-20 X 1 1/2" FLAT HD SCREW
	373	8006	LEG ASSY
	374	1350194	LEVELING ASSY
	375	1350291	3/8-16 HEX NUT
	376	78-928	OUTFEED TABLE, INCL:
	377	1350315	#10-32 HEX NUT
	378	1350820	3/16" LOCK WASHER
	379	1350276	FLAT WASHER
	380	1350819	10-32 X 1" HEX HD SCREW
	381	78-927	RIGHT EXT 30IN WHL
	*	NOT SHOWN ASSEMBLED	

STANDARD SAFETY EQUIPMENT

In order to promote tool safety, Delta Machinery strictly enforces the policy of repairing or replacing any damaged or missing standard safety equipment on machines presented to Delta Authorized Service Centers for service/repairs. Any product which is presented to a Delta Authorized Service Centers for repairs which contains missing or damaged standard safety equipment will have that equipment repaired or replaced and the customer will be charged for any such service/repairs. Customers can avoid such charges only if the missing safety component is supplied to the service center at the time of repair.

This parts list is provided to aid in obtaining service parts. Copies of the instruction and maintenance literature can be obtained through the Delta Technical Publications Department or through your service outlet.