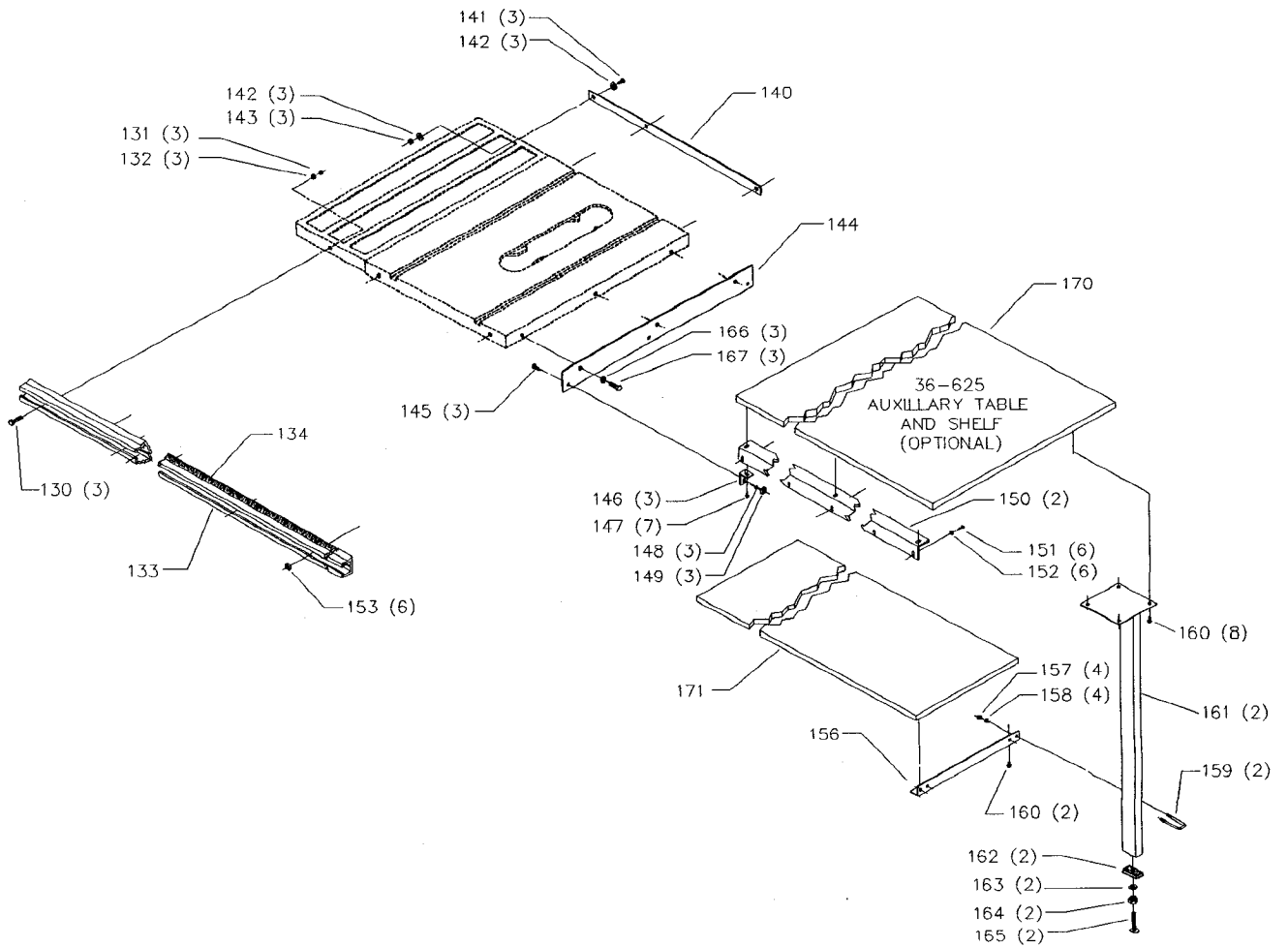
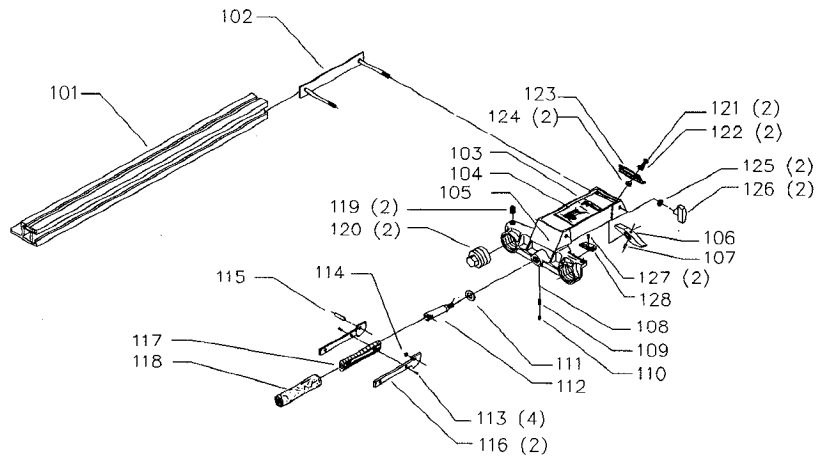
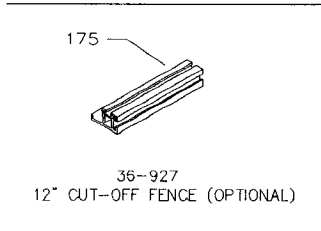


36-924
50" PRECISION SAW GUIDE



REPLACEMENT PARTS

REF NO	PART NUMBER	DESCRIPTION	REF NO	PART NUMBER	DESCRIPTION
*	36-924	50" UNIVERSAL PRECISION FENCE CONST OF:	141	901-11-020-0821	1/4-20 X 3/4" CARRIAGE HD SCREW
101	422-39-343-0005	FENCE	142	904-01-010-1615	FLAT WASHER
102	400-06-327-0001	CLAMP ASSY	143	902-01-020-5433	3/8-16 JAM NUT
103	422-39-312-0001	FENCE BODY ASSY, INCL:	144	422-27-001-0001	ADAPTOR
104	422-39-754-0002	WARNING LABEL	145	901-11-020-0821	1/4-20 X 3/4" CARRIAGE HD SCREW
105	422-39-754-0003	LABEL	146	422-27-089-0007	ANGLE BRACKET
106	422-27-068-0003	LOCKING LUG	147	901-06-223-1380	#14 X 3/4" HEX WASHER HD SCREW
107	905-01-010-2702	1/4" X 5/8" SPRING PIN	148	904-01-010-1614	FLAT WASHER
108	921-01-110-0001	BALL	149	902-02-040-1306	1/4-20 SQUARE NUT
109	928-01-250-0001	SPRING	150	422-27-089-0006	TABLE SUPPORT
110	901-04-150-9440	1/4-20 X 1/2" HEX SOC SET SCREW	151	901-01-060-0612	1/4-20 X 5/8" HEX HD SCREW
111	422-27-104-0002	THRUST WASHER	152	904-01-010-1614	FLAT WASHER
112	422-39-106-0002	CONTROL SHAFT	153	902-02-040-1306	1/4-20 SQUARE NUT
113	901-05-163-1229	#10-16 X 1/2" PAN HD SCREW	156	422-39-089-0019	SHELF SUPPORT
114	908-25-013-1756	O-RING	157	902-01-120-1034	1/4-20 HEX NUT
115	905-01-103-1370	5/16" X 1 1/4" SPRING PIN	158	904-01-010-1614	FLAT WASHER
116	422-39-019-0001	CAM	159	422-39-112-0006	U-BOLT
117	422-39-138-0002	HANDLE	160	901-06-223-1380	#14 X 3/4" HEX WASHER HD SCREW
118	422-39-105-0001	GRIP	161	422-39-366-0001	LEG ASSY
119	422-39-112-0005	LEVELING SCREW	162	422-39-001-0008	LEG ADAPTER
120	422-39-048-0001	ADJUSTMENT PLUG	163	904-01-010-1615	FLAT WASHER
121	901-02-443-1708	1/4-20 X 1/2" PAN HD SCREW	164	902-01-020-5433	3/8-16 JAM NUT
122	904-01-010-1614	FLAT WASHER	165	901-09-131-5295	LEVELING SCREW
123	422-39-048-0004	SLIDING FOOT			
124	902-05-000-2919	NUT			
125	904-01-010-1620	FLAT WASHER	166	904-01-010-1638	FLAT WASHER
126	424-12-060-0005	KNOB	167	901-01-060-0680	7/16-20 X 3/4" HEX HD SCREW
127	901-05-163-1126	#08-32 X 5/16" PAN HD SCREW			
128	422-39-375-0001	CURSOR			
130	901-01-060-0648	3/8-16 X 1 1/4" HEX HD SCREW	*	36-625	AUXILLARY TABLE & SHELF, CONST OF:
131	904-01-010-1615	FLAT WASHER	170	422-27-011-0007	TABLE
132	902-01-020-5433	3/8-16 JAM NUT	171	422-27-011-0008	SHELF
133	36-923	50" FENCE RAIL, INCL:	175	36-927	12" CUT OFF FENCE
134	422-39-432-0001	PRECISION SCALE	*		NOT SHOWN ASSMBLED
140	422-27-089-0009	EXT WING SUPPORT			

ITEMS LISTED BELOW INCLUDED WITH SAW

166	904-01-010-1638	FLAT WASHER
167	901-01-060-0680	7/16-20 X 3/4" HEX HD SCREW

AVAILABLE AS ACCESSORIES

*	36-625	AUXILLARY TABLE & SHELF, CONST OF:
170	422-27-011-0007	TABLE
171	422-27-011-0008	SHELF
175	36-927	12" CUT OFF FENCE

STANDARD SAFETY EQUIPMENT

In order to promote tool safety, Delta International Machinery Corp. strictly enforces the policy of repairing or replacing any damaged or missing standard safety equipment on machines presented to Delta Authorized Service Center for service/repairs. Any product which is presented to a Delta Authorized Service Center for repairs which contains missing or damaged standard safety equipment will have that equipment repaired or replaced and the customer will be charged for any such service/repairs. Customers can avoid such charges only if the missing safety component is supplied to the service center at the time of repair.

This parts list is provided to aid in obtaining service parts. Copies of the instruction and maintenance literature can be obtained through the Delta Technical Publications Department or through your local service outlet