

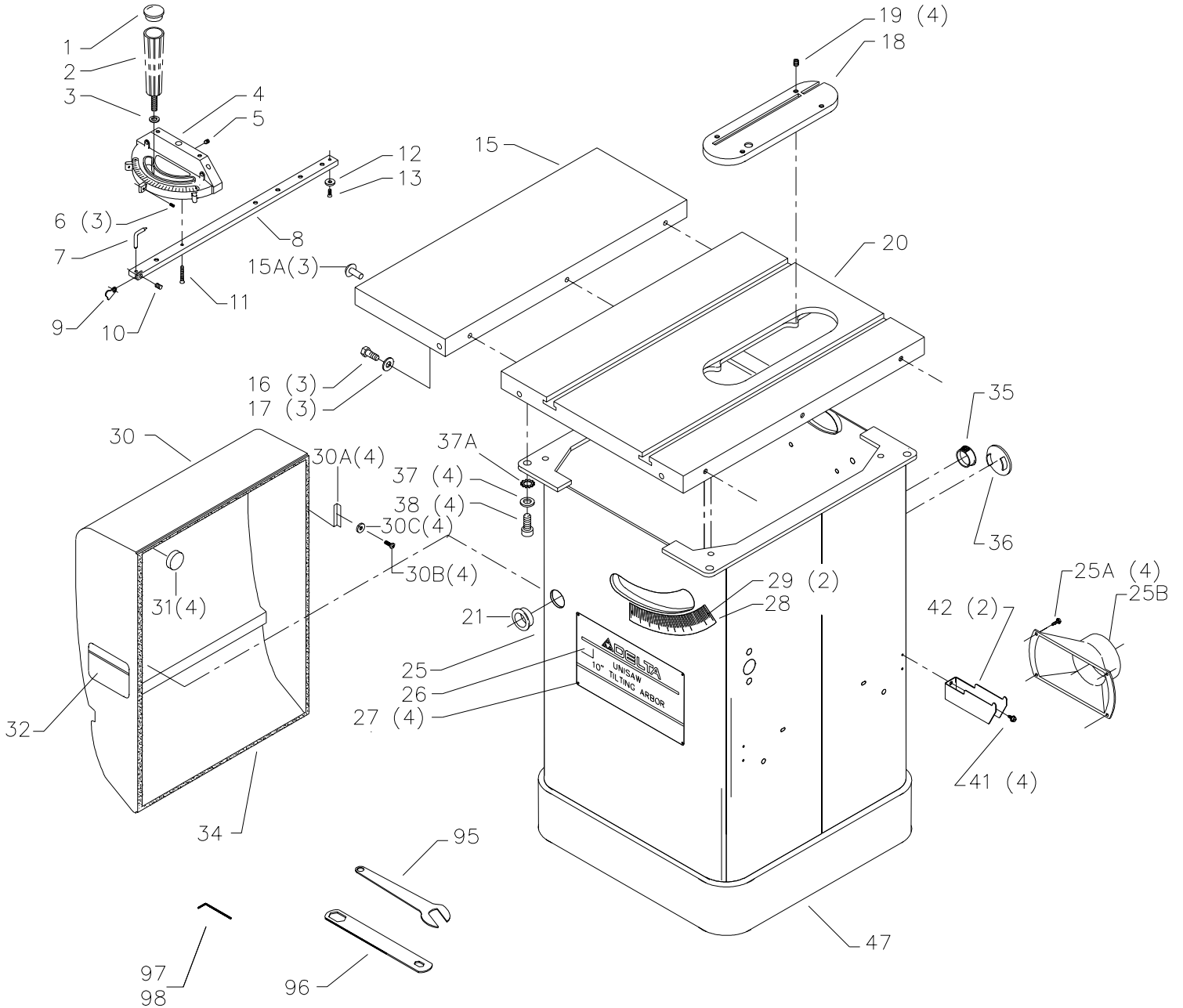


36-842, 36-844 & 36-845
UNISAW
LEFT TILT 10" TILTING
ARBOR SAW

CS-4K-17-1

PARTS NO. 422-40-651-0014

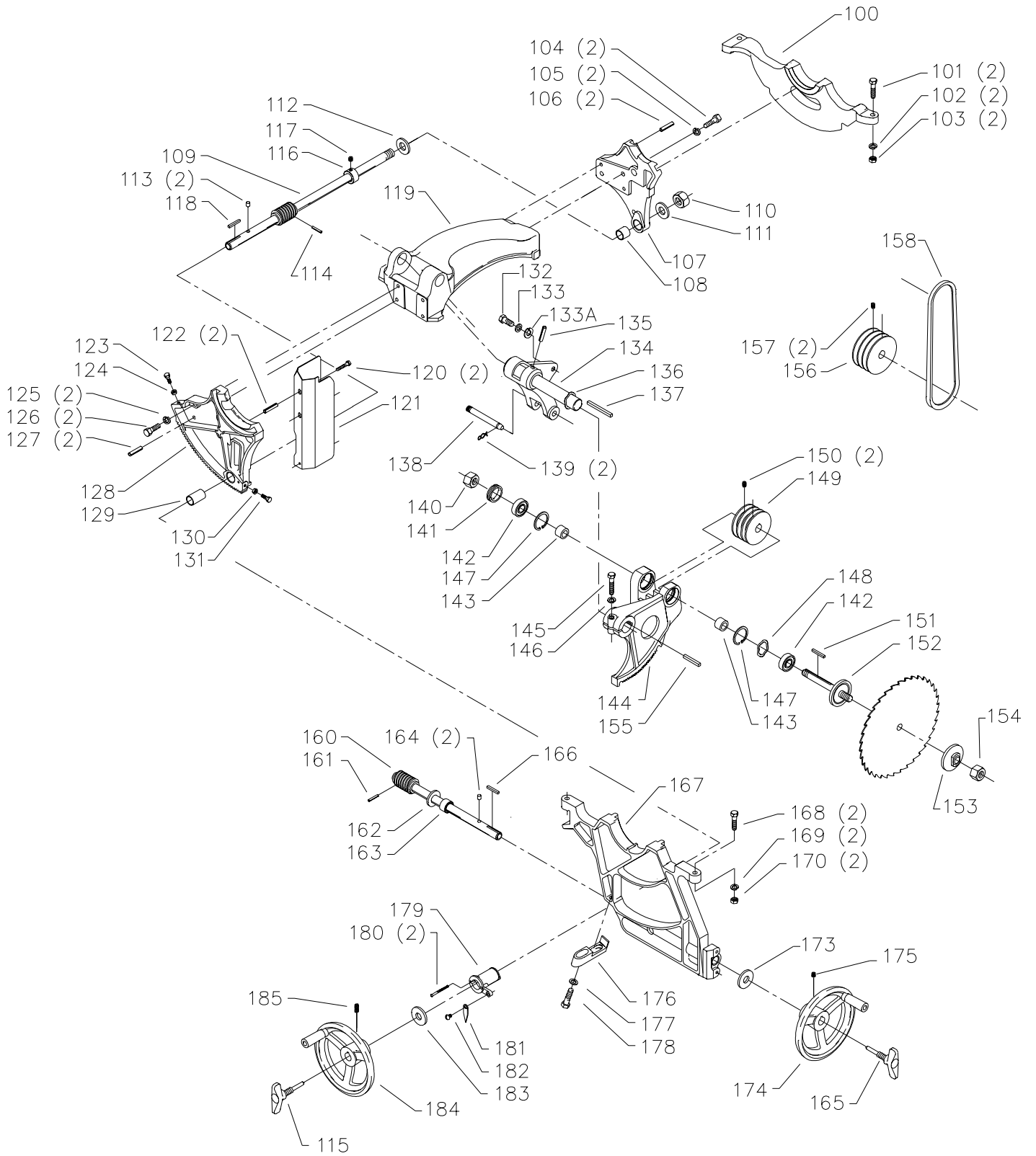
Date: 09/24/02



REPLACEMENT PARTS

Ref.	Part No.	Description
*	34-895	MITER GAGE, CONST OF:
1	422-02-074-0001	PLUG
2	422-02-060-0003	HANDLE
3	904-07-010-5555	1/4" FIBER WASHER
4	422-01-355-0004	MITER GAGE BODY, INCL:
5	901-04-150-1181	1/4-28 X 3/16" HEX SOC SET SCREW
6	901-04-150-9428	#08-32 X 1/2" HEX SOC SET SCREW
7	422-01-075-0001	POINTER
8	422-04-004-0001	BAR, INCL:
9	422-01-088-0004	STOP LINK
10	901-04-150-1181	1/4-28 X 3/16" HEX SOC SET SCREW
11	422-01-112-0001	SCREW
12	422-04-072-0001	PLATE
13	901-02-030-5750	1/4-28 X 5/16" FLAT HD SCREW
15	36-937	EXTENSION TABLE, INCL:
15A	438-01-011-0077	PLUG
16	901-01-060-9964	7/16-20 X 1 1/4" HEX HD SCREW
17	904-10-031-2097	7/16" FLAT WASHER
18	36-861	STANDARD INSERT, INCL:
19	901-04-461-5297	1/4-28 X 3/8" HEX SOC SET SCREW
20	422-40-391-0001	TABLE
21	438-01-011-0021	INSULATOR
25	422-40-318-0006	CABINET ASSY, INCL:
26	422-04-137-0011	NAMEPLATE
27	1087794	RIVET
28	422-40-132-0002	TILT SCALE
29	1087794	RIVET
30	422-04-331-0014	MOTOR COVER, INCL:
30A	422-04-122-0005	SPRING CLIP 1 5/8" LONG - SEE NOTE A
	422-04-122-0004	SPRING CLIP 1 1/4" LONG - SEE NOTE B
30B	901-02-453-1123	10-32 X 1/2" PAN HD SCREW
30C	904-01-013-1868	#10 FLAT WASHER
31	410-09-016-0004	RUBBER BUMPER - EMO
32	422-04-752-0184	WARNING LABEL
34	400-06-416-0003	GASKET 1/2" THICK - SEE NOTE A
	400-06-416-0001	GASKET 1/4" THICK - SEE NOTE B
35	438-01-011-0065	PLUG - EMO
36	438-01-011-0074	HOLE PLUG - 2" DIA - EMO
37	904-10-031-2097	WASHER
37A	904-03-030-1771	7/16" EXT. TOOTH K24WASHER
39	406-12-026-0001	DUST CHUTE
40	901-05-213-1498	#10 X 1/2" HEX WASHER HD SCREW
41	901-05-213-1498	#10 X 1/2" HEX WASHER HD SCREW
42	422-35-014-0002	RIP FENCE HOLDER
47	422-04-305-0001	SUB BASE
95	955-01-050-1472	WRENCH
96	422-39-101-0001	WRENCH - 7/8 X 1/2"
97	955-03-010-0001	1/8" HEX WRENCH
98	955-03-010-2155	5/64" HEX WRENCH
**	422-40-628-0004	SWITCH HDWE PACKAGE
**	422-04-725-0006	EXT. WING HDWE PACKAGE
**	422-04-725-0002	SPLITTER HDWE PACKAGE
		USE ITEMS LISTED BELOW TO MOUNT CABINET TO SUB-BASE
**	901-11-020-0834	5/16-18 X 3/4" CARRAGE HD SCREW
**	902-01-503-1514	5/16-18 FLANGED NUT
*		NOT SHOWN ASSEMBLED
**		NOT SHOWN

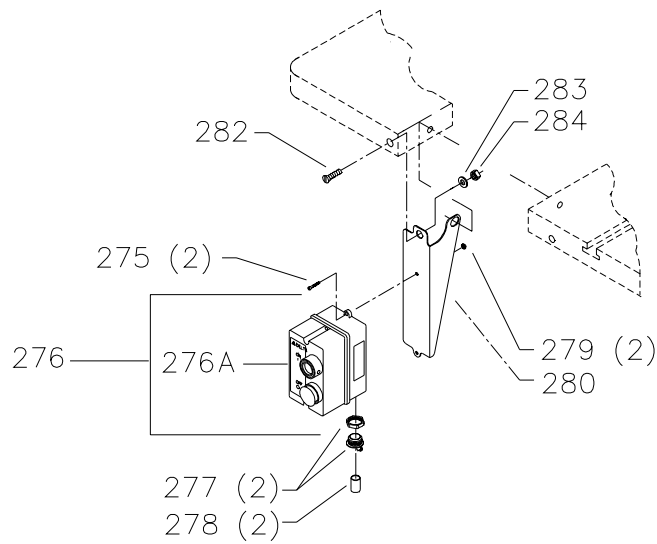
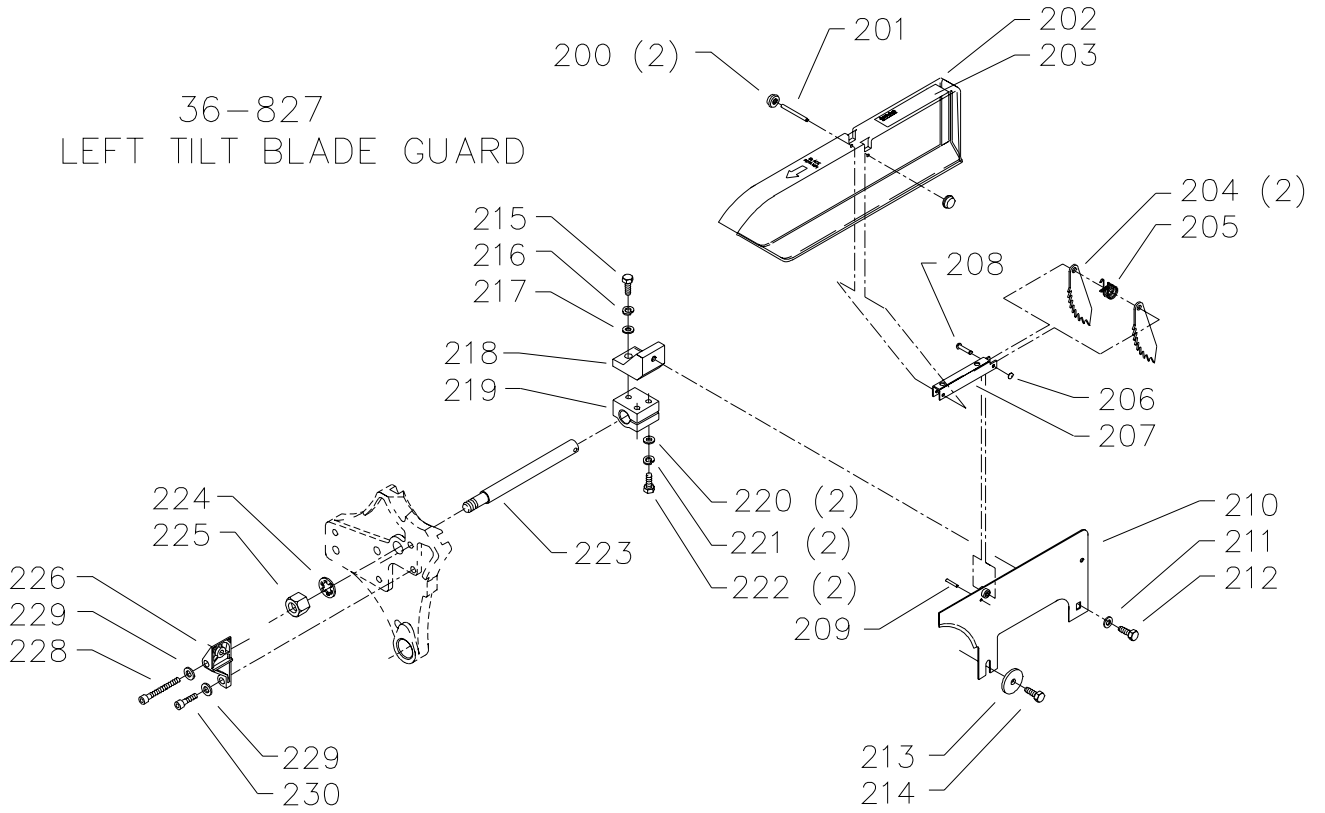
NOTE A: CURRENT UNITS USE A SPRING CLIP, REF. 30A, THAT IS 1 5/8" LONG AND A GASKET, REF. 34, THAT IS 3/4" THICK.
 NOTE B: EARLY UNITS USE A SPRING CLIP, REF. 30A, THAT IS 1 1/4" LONG AND A GASKET, REF. 34, THAT IS 1/4" THICK.



REPLACEMENT PARTS

<u>Ref.</u>	<u>No.</u>	<u>Part No.</u>	<u>Description</u>	<u>Ref.</u>	<u>No.</u>	<u>Part No.</u>	<u>Description</u>
	100	422-04-014-0042	TRUNNION BRACKET - REAR		160	422-04-406-5001	TILT SHAFT W/WORM, INCL:
	101	901-01-060-0682	3/8-24 X 1 1/2" HEX HD SCREW		161	905-01-010-2706	3/16" X 1" SPRING PIN
	102	904-02-020-1704	3/8" LOCK WASHER		162	904-01-021-3577	3/4" FIBER WASHER
	103	902-01-010-1207	3/8-24 HEX NUT		163	904-10-031-4509	COLLAR
	104	901-03-010-0775	3/8-16 X 1" HEX SOC HD SCREW		164	422-04-074-0001	PLUG
	105	904-02-020-1704	3/8" LOCK WASHER		165	422-04-412-0009	LOCK KNOB
	106	905-01-010-2734	5/16" X 1" SPRING PIN		166	927-03-010-2650	1 3/8" KEY
	107	422-40-395-0002	TRUNNION - REAR, INCL:		167	422-40-014-0001	FRONT TRUNNION BRACKET
	108	920-75-011-3934	BEARING		168	901-01-060-0682	3/8-24 X 1 1/2" HEX HD SCREW
*		422-04-406-5002	RAISING SHAFT ASSY, CONST OF:		169	904-02-020-1704	3/8" LOCK WASHER
109		422-04-406-0001	SHAFT W/WORM, INCL:		170	902-01-010-1207	3/8-24 HEX NUT
110		902-01-210-1036	3/4-16 LOCK NUT		172	901-03-040-8016	5/16-18 X 3/4" HEX SOC HD SCREW
111		904-01-021-3577	3/4" FIBER WASHER		173	904-07-010-5569	3/4" FIBER WASHER
112		904-01-021-3577	3/4" FIBER WASHER		174	422-04-400-0005	HANDWHEEL, INCL:
113		422-04-074-0001	PLUG		175	901-04-190-0201	5/16-18 X 5/16" HEX SOC SET SCREW
114		905-01-010-2706	3/16" X 1" SPRING PIN		176	422-04-055-0006	GUIDE BLOCK
115		422-04-412-0009	LOCK KNOB		177	904-10-031-2097	WASHER
116		434-01-404-0001	COLLAR, INCL:		178	901-01-060-0681	7/16-20 X 1 1/2" HEX HD SCREW
117		901-04-190-0201	5/16-18 X 5/16" HEX SOC SET SCREW		179	422-04-014-2008	POINTER BRACKET
118		927-03-010-2650	1 3/8" KEY		180	0919714	#08-32 X 2" FILL HD SCREW
119		422-40-102-0001	YOKE		181	422-40-075-0001	POINTER
120		901-01-060-0613	5/16-18 X 1 3/4" HEX HD SCREW		182	901-06-110-3036	1/4-20 X 3/8" ROUND HD SCREW
121		422-40-036-0001	DUST DEFLECTOR		183	904-07-010-5569	3/4" FIBER WASHER
122		422-04-104-5005	SLEEVE		184	422-04-400-0005	HANDWHEEL, INCL:
123		901-01-060-5769	5/16-24 X 1" HEX HD SCREW		185	901-04-190-0201	5/16-18 X 5/16" HEX SOC SET SCREW
124		902-01-020-1228	5/16-24 JAM NUT		**	83-653	MOTOR - 1PH, 3HP, 230V
125		904-02-020-1704	3/8" LOCK WASHER		**	83-672	MOTOR - 1PH, 5HP, 230V
126		901-03-010-0775	3/8-16 X 1" HEX SOC HD SCREW		*		NOT SHOWN ASSEMBLED
127		905-01-010-2734	5/16" X 1" SPRING PIN		**		NOT SHOWN
128		422-40-395-0001	FRONT TRUNNION, INCL:				
129		920-75-011-3935	BUSHING				
130		902-01-020-1228	5/16-24 JAM NUT				
131		901-01-060-5769	5/16-24 X 1" HEX HD SCREW				
132		901-01-060-0664	7/16-20 X 1" HEX HD SCREW				
133		904-10-031-2097	WASHER				
133A		904-03-030-1771	7/16" EXT. TOOTH LOCK WASHER				
134		422-40-314-0004	MOTOR BRACKET W/SHAFT, INCL:				
135		905-01-010-5072	1/4" X 2" SPRING PIN				
136		928-06-011-4128	1 1/4" WAVE WASHER				
137		927-03-010-2657	2.937" KEY				
138		422-04-071-5001	STEEL PIN				
139		422-04-079-5001	SPRING CLIP				
*		422-40-314-0002	ARBOR BRACKET, CONST OF:				
140		902-01-200-9847	SPECIAL NUT				
141		902-07-020-7176	BEARING CLOSURE NUT				
142		1086894	BALL BEARING				
143		422-04-104-0002	SPACER				
144		422-40-314-0003	ARBOR BRACKET, INCL:				
145		901-01-060-3102	3/8-16 X 1 3/4" HEX HD SCREW				
146		904-02-020-1704	3/8" LOCK WASHER				
147		904-15-101-7147	INTERNAL RETAINING RING				
148		928-06-020-7382	LOAD SPRING				
149		926-03-991-2328	ARBOR PULLEY, INCL:				
150		0908653	5/16-18 X 3/8" HEX SOC HD SCREW				
151		927-03-020-2660	1 1/2" KEY				
152		422-40-303-0002	ARBOR W/FLANGE				
153		422-04-103-5001	FLANGE				
154		902-01-201-2571	.656-12 JAM NUT				
155		927-03-010-2653	1 15/16" KEY				
156		41-644	MOTOR PULLEY, INCL:				
157		0908653	5/16-18 X 3/8" HEX SOC HD SCREW				
158		49-124	V-BELTS - MATCHED SET OF THREE				

36-827
LEFT TILT BLADE GUARD

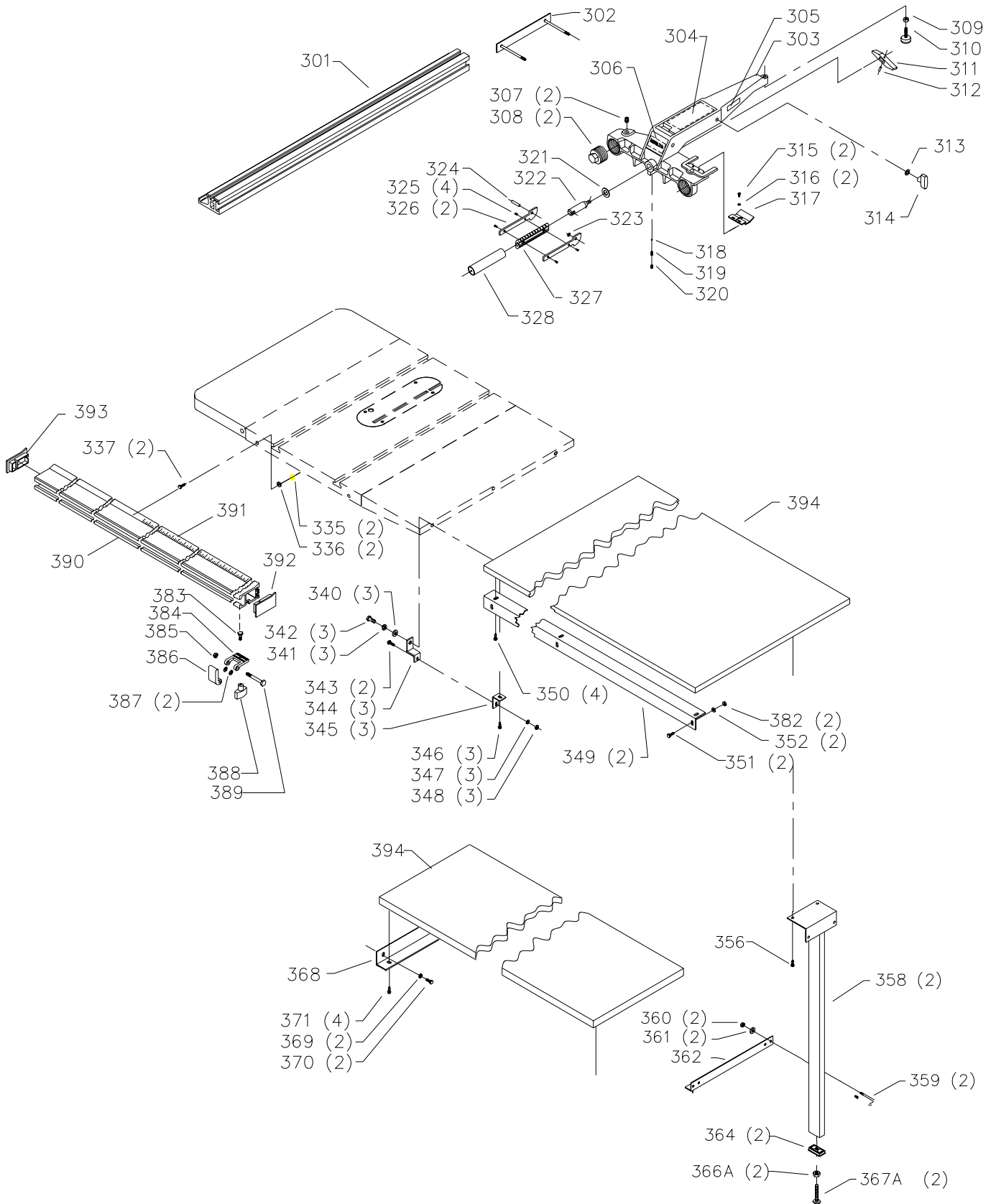


REPLACEMENT PARTS

Ref.

No.	Part No.	Description
*	n 936827	LEFT TILT BLADE GUARD COMP, CONST OF:
*	422-40-354-0003	LEFT TILT BLADE GUARD ASSY, CONST OF:
200	1086388	PUSH NUT CAP
201	1087811	PIN
202	422-40-354-0004	LEFT TILT BLADE GUARD, INCL:
203	422-40-754-0002	WARNING LABEL
204	422-16-047-0001	KICK BACK FINGER
205	1086353	SPRING
206	1086387	PUSH NUT
207	1086337	PIVOT BRACKET
208	422-04-071-0007	PIN
209	905-01-010-6729	5/32" X 11/16" SPRING PIN
210	422-04-086-0002	SPLITTER W/BUSHING
211	904-01-010-1620	5/16" FLAT WASHER
212	901-01-060-0649	5/16-18 X 1" HEX HD SCREW
213	422-03-072-0001	PLATE
214	901-01-060-0649	5/16-18 X 1" HEX HD SCREW
215	901-01-060-0649	5/16-18 X 1" HEX HD SCREW
216	904-02-010-1703	5/16" LOCK WASHER
217	904-01-010-1620	5/16" FLAT WASHER
218	422-04-014-0018	BRACKET
219	422-04-014-0019	BRACKET
220	904-01-010-1620	5/16" FLAT WASHER
221	904-02-010-1703	5/16" LOCK WASHER
222	901-01-060-0649	5/16-18 X 1" HEX HD SCREW
223	422-04-089-0003	SUPPORT ROD
224	904-03-020-1751	5/8" INT TOOTH WASHER
225	902-01-020-1226	5/8-18 JAM NUT
226	422-40-014-0005	SPLITTER MOUNTING BRACKET
228	901-03-013-1698	5/16-18 X 2" HEX SOC HD SCREW
229	904-01-010-1620	5/16" FLAT WASHER
230	901-03-010-0757	5/16-18 X 3/4" HEX SOC HD SCREW
275	901-02-453-1123	#10-32 X 1/2" PAN HD SCREW
276	438-01-016-0199	STARTER, 36-842, 36-844 INCL:
	438-01-016-0204	STARTER, 36-845 INCL:
276A	n 438-01-016-0200	COVER
277	438-01-004-0007	CORD CLAMP
278	438-01-011-0054	INSULATOR SLEEVE
279	902-01-293-1513	#10-32 KEPS NUT
280	422-40-014-0007	MOUNTING BRACKET
282	901-03-033-1046	5/16-18 X 1" FLAT HD SCREW
283	904-01-010-1620	5/16" FLAT WASHER
284	902-01-010-1300	5/16-18 HEX NUT
*		NOT SHOWN ASSEMBLED

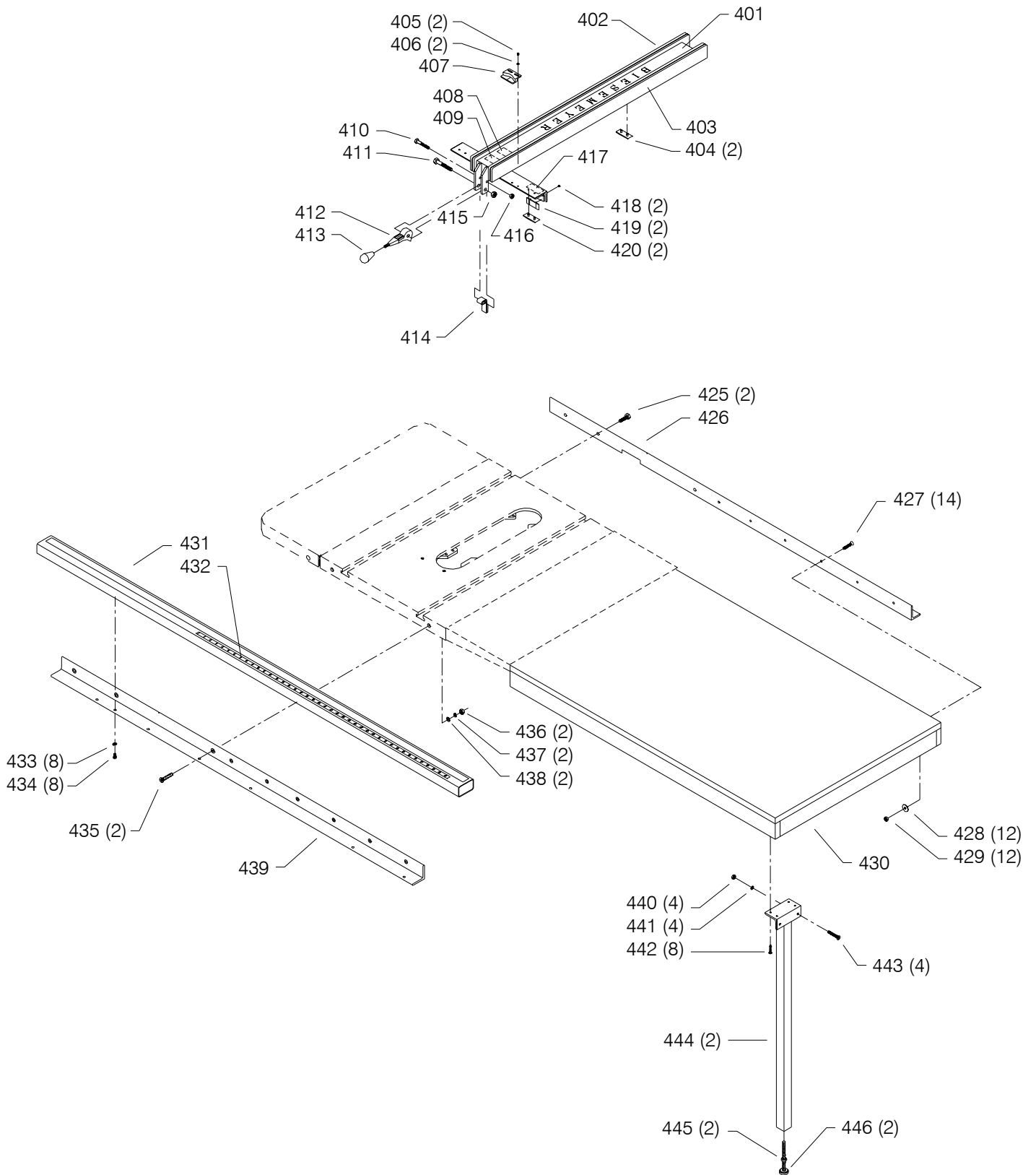
FOR 36-842



REPLACEMENT PARTS

<u>Ref.</u>	<u>No.</u>	<u>Part No.</u>	<u>Description</u>	<u>Ref.</u>	<u>No.</u>	<u>Part No.</u>	<u>Description</u>
	*	36-918	52" UNIFENCE ASSY , INCL.: REF. 301 THROUGH 389	348		902-01-120-1034	1/4-20 HEX NUT
301		34-894	43" FENCE	349		422-27-089-0020	TABLE SUPPORT
302		400-06-327-0001	CLAMP ASSY	350		901-25-043-1791	8-8 X 13/16" HEX WASHER HD SCR
303		400-06-312-0005	FENCE BODY ASSY, INCL:	351		901-01-060-0612	1/4-20 X 5/8" HEX HD SCREW
304		422-27-754-0012	LABEL	352		904-01-010-1614	FLAT WASHER
305		422-27-752-0018	LABEL	356		901-25-043-1791	#8 X 3/4" HEX WASHER HD SCREW
306		422-27-754-0013	LABEL	358		422-27-366-0005	LEG ASSY
307		422-39-112-0005	LEVELING SCREW	359		422-27-112-0005	U-BOLT
308		422-39-048-0001	ADJUSTMENT PLUG	360		902-01-120-1034	1/4-20 HEX NUT
309		902-01-010-1300	5/16-18 HEX NUT	361		904-01-010-1614	1/4" FLAT WASHER
310		422-27-048-0001	REAR SUPPORT FOOT	362		422-27-089-0017	SHELF SUPPORT
311		422-27-068-0003	LOCKING LUG	364		1350481	LEG ADAPTER
312		905-01-010-2702	1/4" X 5/8" SPRING PIN	366A		902-01-020-5433	3/8-16 JAM NUT
313		904-01-010-1620	FLAT WASHER	367A		901-09-131-5295	LEVELING SCREW
314		424-12-060-0005	KNOB	368		422-27-014-0010	BRACKET
315		901-02-443-1812	8/32 X 1/2 PH SCREW	369		904-01-010-1614	FLAT WASHER
316		904-01-013-1738	3/16" FLAT WASHER	370		901-01-060-0612	1/4-20 X 5/8" HEX HD SCREW
317		400-06-375-0002	CURSOR	371		901-25-043-1791	8-8 X 13/16" HEX WASHER HD SCR
318		921-01-110-0001	BALL	382		902-01-120-1034	NUT
319		928-01-250-0001	SPRING	*		36-899	FLIP STOP, CONST OF:
320		901-04-150-9440	1/4-20 X 1/2" HEX SOC SET SCREW	383		901-01-060-0649	5/16-18 X 1" HEX HEAD SCREW
321		422-27-104-0002	THRUST WASHER	384		422-27-084-0007	BRACKET
322		422-39-106-0002	SHAFT	385		902-01-212-2409	1/4-20 LOCKNUT
323		908-25-013-1756	O-RING	386		422-27-088-0002	FLIP STOP
324		905-01-103-1370	5/16" X 1 1/4" SPRING PIN	387		904-07-010-5573	FIBER WASHER
325		901-05-163-1229	10-16 X 1/2" PAN HD SCREW	388		424-12-060-0005	KNOB 2" 5/16-18
326		422-39-019-0001	CAM HANDLE	389		901-01-060-0622	1/4-20 X 2" HEX HEAD SCREW
327		422-39-138-0002	HANDLE	390		36-904	52" UNIFENCE RAIL, INCL:
328		422-39-105-0001	GRIP	391		400-06-432-0001	SCALE - FOR 52" RAIL
335		902-01-010-5900	3/8-16 JAM NUT			400-06-432-0005	SCALE - FOR 96" RAIL
336		904-01-010-1615	7/16" FLAT WASHER	392		422-27-020-0004	END CAP-RH
337		901-01-060-0642	3/8-16 x 1" HEX HEAD SCREW	393		422-27-020-0003	END CAP-LH
340		904-01-010-1638	1/4" FLAT WASHER	394		36-947	AUXILLARY TABLE & SHELF
341		904-02-010-1716	7/16" LOCK WASHER				
342		901-01-060-0680	7/16-20 X 3/4" HEX HD SCREW	*			NOT SHOWN ASSEMBLED
343		901-11-020-0821	1/4-20 X 3/4" CARRIAGE HD SCREW				
344		422-27-014-0003	ADAPTER				
345		422-27-089-0007	ANGLE BRACKET				
346		901-25-043-1791	8-8 X 13/16" HEX WASHER HD SCR				
347		904-01-010-1614	1/4" FLAT WASHER				

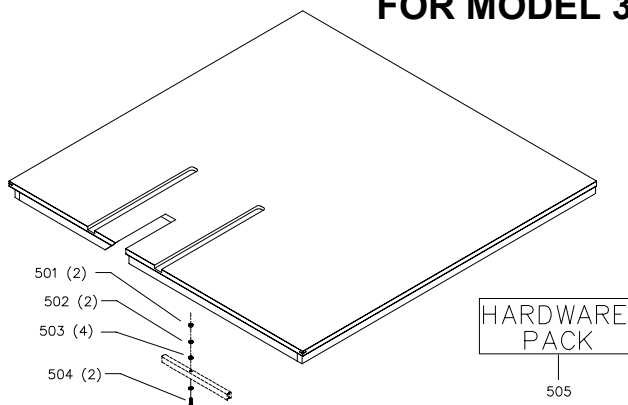
FOR 36-844 & 36-845



REPLACEMENT PARTS

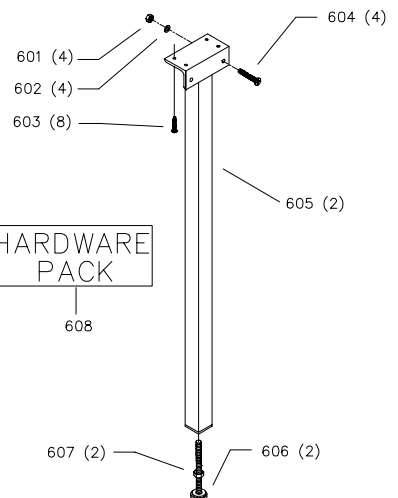
Ref. No.	Part No.	Description	Ref. No.	Part No.	Description
401	78-996	FENCE ASSY , INCL:	426	1359181	REAR RAIL
402	1359178	LEFT BOARD SERVICE KIT	427	1350289	1/4-20 X 1 1/2" FLAT HD SCREW
403	1359179	RIGHT BOARD SERVICE KIT	428	1350290	1/4" FLAT WASHER
404	1350019	GLIDE PAD	429	1350284	1/4-20 HEX NUT
405	1352033	8-32 X 3/8" ROUND HD SCREW	430	78-924	EXTENSION TABLE
406	1352034	FLAT WASHER	431	1359180	GUIDE TUBE ASSY, INCL:
407	1352593	CURSOR	432	n 79-064	SCALE (SEE B)
408	1350077	FLAG DECAL	433	1350293	1/4" LOCK WASHER
409	1350078	NAMEPLATE	434	1350294	1/4-20 X 3/4" HEX HD SCREW
410	1350277	1/4-20 X 1 3/4" HEX HD SCREW	435	1352011	3/8-16 X 1 1/2" FLAT HD SCREW
411	1350278	SPECIAL SCREW	436	1350291	3/8-16 HEX NUT
412	1352490	CAM HANDLE	437	1350288	3/8" LOCK WASHER
413	1350018	KNOB	438	1350286	FLAT WASHER
414	1352492	CAM FOOT ASSY	439	1359182	FRONT RAIL
415	1350279	3/8-16 LOCK NUT	440	1350284	1/4-20 HEX NUT
416	1350280	1/4-20 LOCK NUT	441	1350283	1/4" FLAT WASHER
417	1350155	DECAL	442	1350630	8 X 5/8" PAN HD SCREW
418	1350492	3/8-16 X 5/16" HEX SOC SET SCREW	443	1350289	1/4-20 X 1 1/2" FLAT HD SCREW
419	1350051	GLIDE PAD	444	1352485	LEG ASSY
420	1350019	GLIDE PAD	445	1350291	3/8-16 HEX NUT
425	1350285	3/8-24 X 1 1/4" HEX HD SCREW	446	1350194	LEVELING ASSY

FOR MODEL 36-845



Ref. No.	Part No.	Description
*	78-969	OUTFEED TABLE, INCL:
501	1350315	10-32 HEX NUT
502	1350820	3/16" LOCK WASHER
503	1350276	FLAT WASHER
504	1350819	10-32 X 1" HEX HD SCREW
505	1350479	HARDWARE PACK

* NOT SHOWN ASSEMBLED



Ref. No.	Part No.	Description
*	78-993	SUPPORT LEGS, CONST OF:
601	1350284	1/4-20 HEX NUT
602	1350283	1/4" FLAT WASHER
603	1350630	10-32 X 5/8" PAN HD SCREW
604	1350289	1/4-20 X 1 1/2" FLAT HD SCREW
605	1352485	LEG ASSY
606	1350194	LEVELING ASSY
607	1350291	3/8 - 16 HEX NUT
608	1350479	HARDWARE PACK

* NOT SHOWN ASSEMBLED

STANDARD SAFETY EQUIPMENT

In order to promote tool safety, Delta Machinery strictly enforces the policy of repairing or replacing any damaged or missing standard safety equipment on machines presented to Delta Authorized Service Centers for service/repairs. Any product that is presented to a Delta Authorized Service Centers for repairs which contains missing or damaged standard safety equipment will have that equipment repaired or replaced and the customer will be charged for any such service/repairs. Customers can avoid such charges only if the missing safety component is supplied to the service center at the time of repair.

This parts list is provided to aid in obtaining service parts. Copies of the instruction and maintenance literature can be obtained through the Delta Technical Publications Department or through your service outlet.