

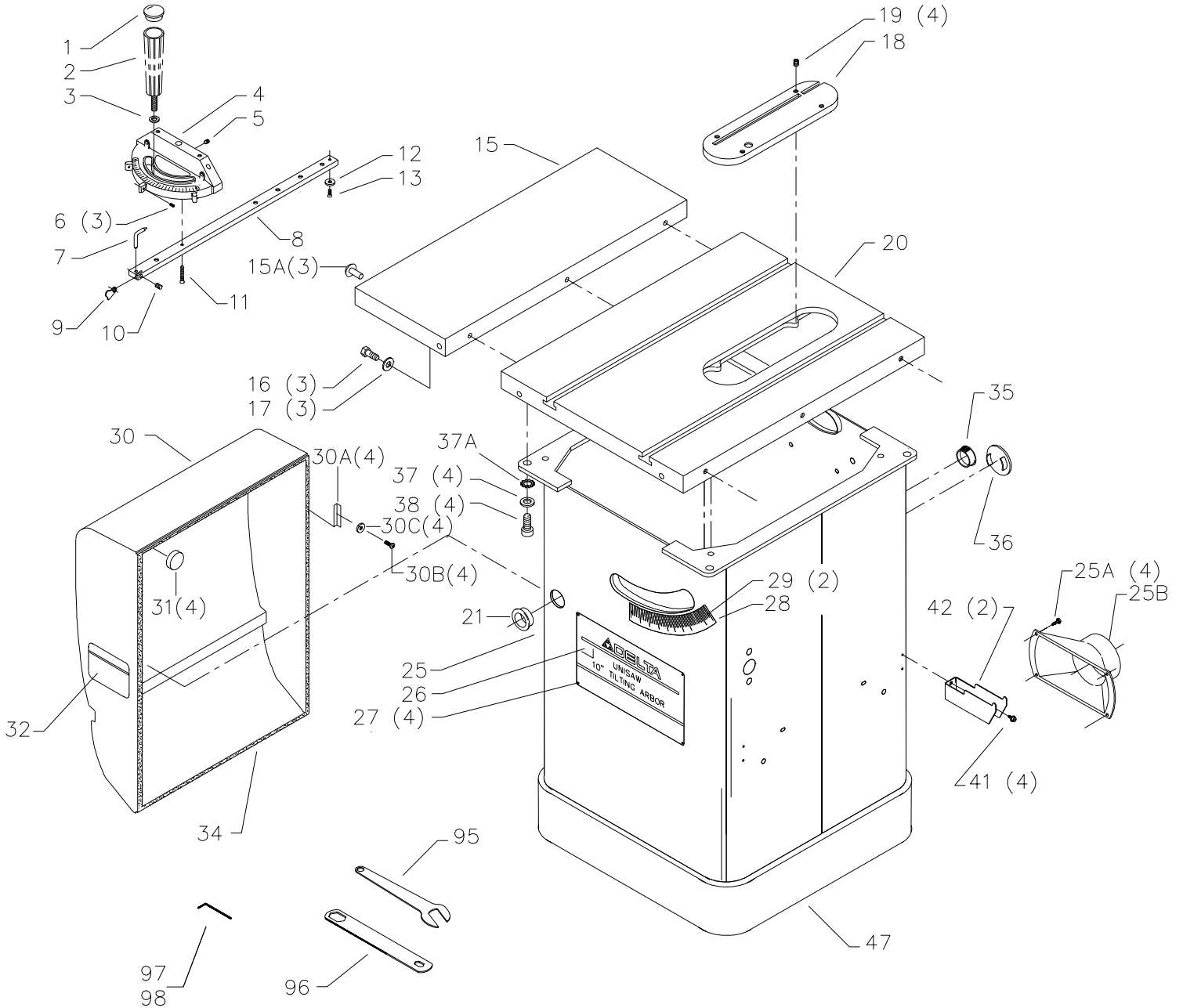


36-842, 36-844 & 36-845
UNISAW
LEFT TILT 10" TILTING
ARBOR SAW

CS-4K-17-1

PARTS NO. 422-40-651-0014

Date: 09/24/02



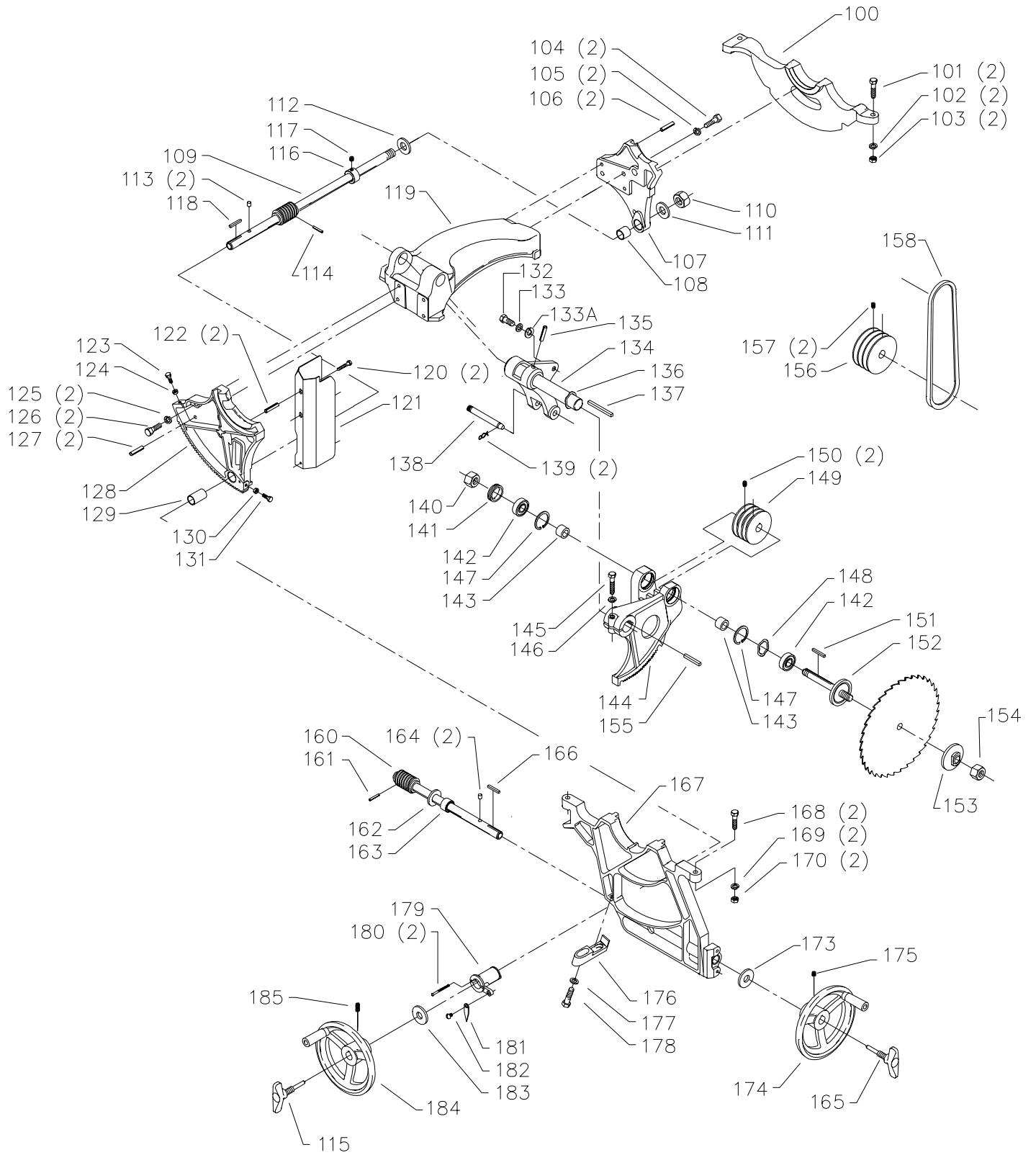
REPLACEMENT PARTS

| Ref. | <u>Part No.</u> | <u>Description</u> |
|------|-----------------|--------------------------------------|
| * | 34-895 | MITER GAGE, CONST OF: |
| 1 | 422-02-074-0001 | PLUG |
| 2 | 422-02-060-0003 | HANDLE |
| 3 | 904-07-010-5555 | 1/4" FIBER WASHER |
| 4 | 422-01-355-0004 | MITER GAGE BODY, INCL: |
| 5 | 901-04-150-1181 | 1/4-28 X 3/16" HEX SOC SET SCREW |
| 6 | 901-04-150-9428 | #08-32 X 1/2" HEX SOC SET SCREW |
| 7 | 422-01-075-0001 | POINTER |
| 8 | 422-04-004-0001 | BAR, INCL: |
| 9 | 422-01-088-0004 | STOP LINK |
| 10 | 901-04-150-1181 | 1/4-28 X 3/16" HEX SOC SET SCREW |
| 11 | 422-01-112-0001 | SCREW |
| 12 | 422-04-072-0001 | PLATE |
| 13 | 901-02-030-5750 | 1/4-28 X 5/16" FLAT HD SCREW |
| 15 | 36-937 | EXTENSION TABLE, INCL: |
| 15A | 438-01-011-0077 | PLUG |
| 16 | 901-01-060-9964 | 7/16-20 X 1 1/4" HEX HD SCREW |
| 17 | 904-10-031-2097 | 7/16" FLAT WASHER |
| 18 | 36-861 | STANDARD INSERT, INCL: |
| 19 | 901-04-461-5297 | 1/4-28 X 3/8" HEX SOC SET SCREW |
| 20 | 422-40-391-0001 | TABLE |
| 21 | 438-01-011-0021 | INSULATOR |
| 25 | 422-40-318-0006 | CABINET ASSY, INCL: |
| 26 | 422-04-137-0011 | NAMEPLATE |
| 27 | 1087794 | RIVET |
| 28 | 422-40-132-0002 | TILT SCALE |
| 29 | 1087794 | RIVET |
| 30 | 422-04-331-0014 | MOTOR COVER, INCL: |
| 30A | 422-04-122-0005 | SPRING CLIP 1 5/8" LONG - SEE NOTE A |
| | 422-04-122-0004 | SPRING CLIP 1 1/4" LONG - SEE NOTE B |
| 30B | 901-02-453-1123 | 10-32 X 1/2" PAN HD SCREW |
| 30C | 904-01-013-1868 | #10 FLAT WASHER |
| 31 | 410-09-016-0004 | RUBBER BUMPER - EMO |
| 32 | 422-04-752-0184 | WARNING LABEL |
| 34 | 400-06-416-0003 | GASKET 1/2" THICK - SEE NOTE A |
| | 400-06-416-0001 | GASKET 1/4" THICK - SEE NOTE B |
| 35 | 438-01-011-0065 | PLUG - EMO |
| 36 | 438-01-011-0074 | HOLE PLUG - 2" DIA - EMO |
| 37 | 904-10-031-2097 | WASHER |
| 37A | 904-03-030-1771 | 7/16" EXT. TOOTH K24WASHER |
| 39 | 406-12-026-0001 | DUST CHUTE |
| 40 | 901-05-213-1498 | #10 X 1/2" HEX WASHER HD SCREW |
| 41 | 901-05-213-1498 | #10 X 1/2" HEX WASHER HD SCREW |
| 42 | 422-35-014-0002 | RIP FENCE HOLDER |
| 47 | 422-04-305-0001 | SUB BASE |
| 95 | 955-01-050-1472 | WRENCH |
| 96 | 422-39-101-0001 | WRENCH - 7/8 X 1/2" |
| 97 | 955-03-010-0001 | 1/8" HEX WRENCH |
| 98 | 955-03-010-2155 | 5/64" HEX WRENCH |
| ** | 422-40-628-0004 | SWITCH HDWE PACKAGE |
| ** | 422-04-725-0006 | EXT. WING HDWE PACKAGE |
| ** | 422-04-725-0002 | SPLITTER HDWE PACKAGE |

USE ITEMS LISTED BELOW TO MOUNT CABINET TO SUB-BASE

| | | |
|----|---------------------|---------------------------------|
| ** | 901-11-020-0834 | 5/16-18 X 3/4" CARRAGE HD SCREW |
| ** | 902-01-503-1514 | 5/16-18 FLANGED NUT |
| * | NOT SHOWN ASSEMBLED | |
| ** | NOT SHOWN | |

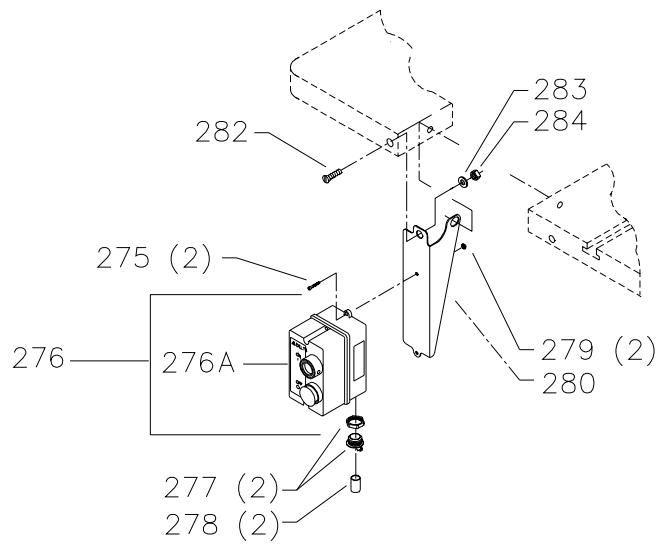
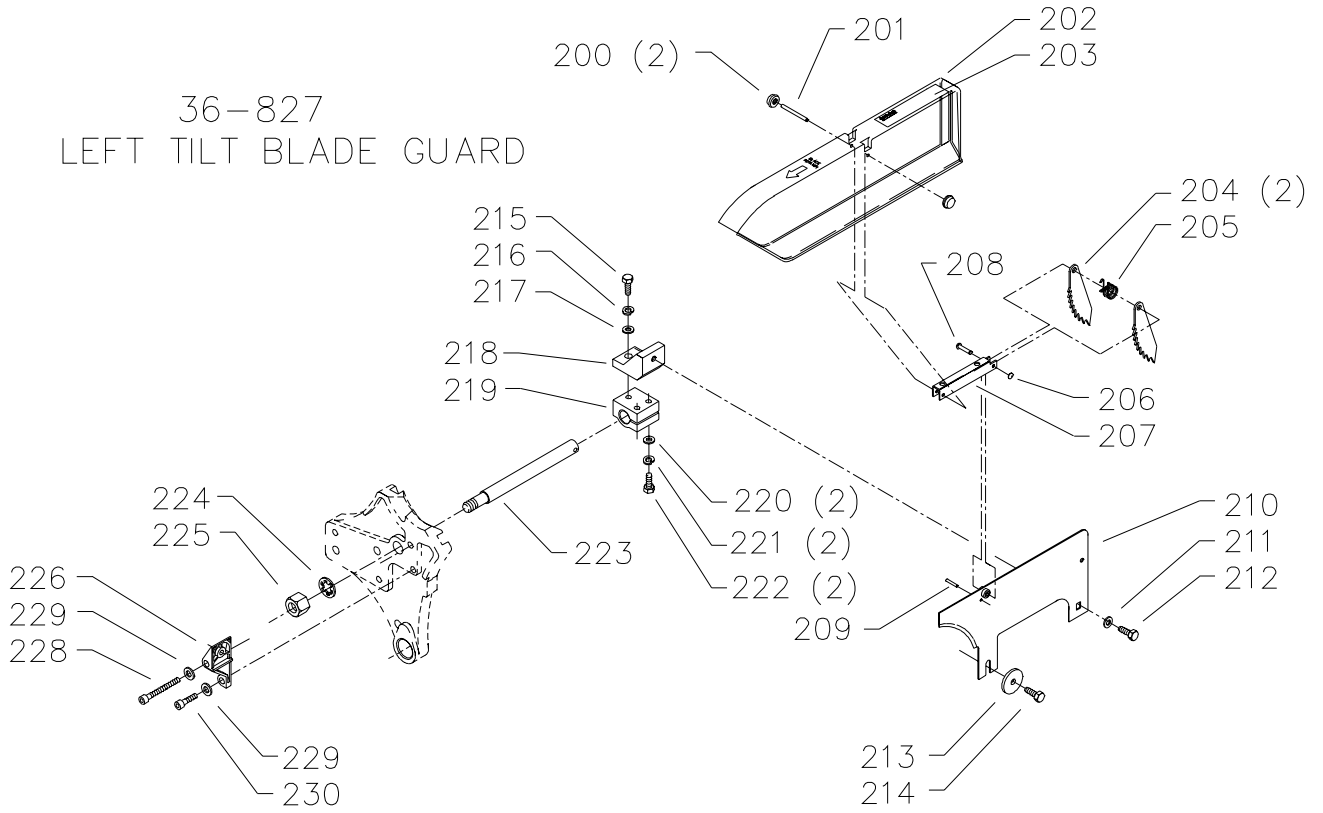
NOTE A: CURRENT UNITS USE A SPRING CLIP, REF. 30A, THAT IS 1 5/8" LONG AND A GASKET, REF. 34, THAT IS 3/4" THICK.
 NOTE B: EARLY UNITS USE A SPRING CLIP, REF. 30A, THAT IS 1 1/4" LONG AND A GASKET, REF. 34, THAT IS 1/4" THICK.



REPLACEMENT PARTS

| <u>Ref.</u> | <u>No.</u> | <u>Part No.</u> | <u>Description</u> | <u>Ref.</u> | <u>No.</u> | <u>Part No.</u> | <u>Description</u> |
|-------------|-----------------|-----------------|-----------------------------------|-------------|-----------------|-----------------|-----------------------------------|
| | 100 | 422-04-014-0042 | TRUNNION BRACKET - REAR | 160 | 422-04-406-5001 | | TILT SHAFT W/WORM, INCL: |
| | 101 | 901-01-060-0682 | 3/8-24 X 1 1/2" HEX HD SCREW | 161 | 905-01-010-2706 | | 3/16" X 1" SPRING PIN |
| | 102 | 904-02-020-1704 | 3/8" LOCK WASHER | 162 | 904-01-021-3577 | | 3/4" FIBER WASHER |
| | 103 | 902-01-010-1207 | 3/8-24 HEX NUT | 163 | 904-10-031-4509 | | COLLAR |
| | 104 | 901-03-010-0775 | 3/8-16 X 1" HEX SOC HD SCREW | 164 | 422-04-074-0001 | | PLUG |
| | 105 | 904-02-020-1704 | 3/8" LOCK WASHER | 165 | 422-04-412-0009 | | LOCK KNOB |
| | 106 | 905-01-010-2734 | 5/16" X 1" SPRING PIN | 166 | 927-03-010-2650 | | 1 3/8" KEY |
| | 107 | 422-40-395-0002 | TRUNNION - REAR, INCL: | 167 | 422-40-014-0001 | | FRONT TRUNNION BRACKET |
| | 108 | 920-75-011-3934 | BEARING | 168 | 901-01-060-0682 | | 3/8-24 X 1 1/2" HEX HD SCREW |
| * | 422-04-406-5002 | | RAISING SHAFT ASSY, CONST OF: | 169 | 904-02-020-1704 | | 3/8" LOCK WASHER |
| 109 | 422-04-406-0001 | | SHAFT W/WORM, INCL: | 170 | 902-01-010-1207 | | 3/8-24 HEX NUT |
| 110 | 902-01-210-1036 | | 3/4-16 LOCK NUT | 172 | 901-03-040-8016 | | 5/16-18 X 3/4" HEX SOC HD SCREW |
| 111 | 904-01-021-3577 | | 3/4" FIBER WASHER | 173 | 904-07-010-5569 | | 3/4" FIBER WASHER |
| 112 | 904-01-021-3577 | | 3/4" FIBER WASHER | 174 | 422-04-400-0005 | | HANDWHEEL, INCL: |
| 113 | 422-04-074-0001 | | PLUG | 175 | 901-04-190-0201 | | 5/16-18 X 5/16" HEX SOC SET SCREW |
| 114 | 905-01-010-2706 | | 3/16" X 1" SPRING PIN | 176 | 422-04-055-0006 | | GUIDE BLOCK |
| 115 | 422-04-412-0009 | | LOCK KNOB | 177 | 904-10-031-2097 | | WASHER |
| 116 | 434-01-404-0001 | | COLLAR, INCL: | 178 | 901-01-060-0681 | | 7/16-20 X 1 1/2" HEX HD SCREW |
| 117 | 901-04-190-0201 | | 5/16-18 X 5/16" HEX SOC SET SCREW | 179 | 422-04-014-2008 | | POINTER BRACKET |
| 118 | 927-03-010-2650 | | 1 3/8" KEY | 180 | 0919714 | | #08-32 X 2" FILL HD SCREW |
| 119 | 422-40-102-0001 | | YOKE | 181 | 422-40-075-0001 | | POINTER |
| 120 | 901-01-060-0613 | | 5/16-18 X 1 3/4" HEX HD SCREW | 182 | 901-06-110-3036 | | 1/4-20 X 3/8" ROUND HD SCREW |
| 121 | 422-40-036-0001 | | DUST DEFLECTOR | 183 | 904-07-010-5569 | | 3/4" FIBER WASHER |
| 122 | 422-04-104-5005 | | SLEEVE | 184 | 422-04-400-0005 | | HANDWHEEL, INCL: |
| 123 | 901-01-060-5769 | | 5/16-24 X 1" HEX HD SCREW | 185 | 901-04-190-0201 | | 5/16-18 X 5/16" HEX SOC SET SCREW |
| 124 | 902-01-020-1228 | | 5/16-24 JAM NUT | | | | |
| 125 | 904-02-020-1704 | | 3/8" LOCK WASHER | ** | 83-653 | | MOTOR - 1PH, 3HP, 230V |
| 126 | 901-03-010-0775 | | 3/8-16 X 1" HEX SOC HD SCREW | ** | 83-672 | | MOTOR - 1PH, 5HP, 230V |
| 127 | 905-01-010-2734 | | 5/16" X 1" SPRING PIN | | | | |
| 128 | 422-40-395-0001 | | FRONT TRUNNION, INCL: | * | | | NOT SHOWN ASSEMBLED |
| 129 | 920-75-011-3935 | | BUSHING | ** | | | NOT SHOWN |
| 130 | 902-01-020-1228 | | 5/16-24 JAM NUT | | | | |
| 131 | 901-01-060-5769 | | 5/16-24 X 1" HEX HD SCREW | | | | |
| 132 | 901-01-060-0664 | | 7/16-20 X 1" HEX HD SCREW | | | | |
| 133 | 904-10-031-2097 | | WASHER | | | | |
| 133A | 904-03-030-1771 | | 7/16" EXT. TOOTH LOCK WASHER | | | | |
| 134 | 422-40-314-0004 | | MOTOR BRACKET W/SHAFT, INCL: | | | | |
| 135 | 905-01-010-5072 | | 1/4" X 2" SPRING PIN | | | | |
| 136 | 928-06-011-4128 | | 1 1/4" WAVE WASHER | | | | |
| 137 | 927-03-010-2657 | | 2.937" KEY | | | | |
| 138 | 422-04-071-5001 | | STEEL PIN | | | | |
| 139 | 422-04-079-5001 | | SPRING CLIP | | | | |
| * | 422-40-314-0002 | | ARBOR BRACKET, CONST OF: | | | | |
| 140 | 902-01-200-9847 | | SPECIAL NUT | | | | |
| 141 | 902-07-020-7176 | | BEARING CLOSURE NUT | | | | |
| 142 | 1086894 | | BALL BEARING | | | | |
| 143 | 422-04-104-0002 | | SPACER | | | | |
| 144 | 422-40-314-0003 | | ARBOR BRACKET, INCL: | | | | |
| 145 | 901-01-060-3102 | | 3/8-16 X 1 3/4" HEX HD SCREW | | | | |
| 146 | 904-02-020-1704 | | 3/8" LOCK WASHER | | | | |
| 147 | 904-15-101-7147 | | INTERNAL RETAINING RING | | | | |
| 148 | 928-06-020-7382 | | LOAD SPRING | | | | |
| 149 | 926-03-991-2328 | | ARBOR PULLEY, INCL: | | | | |
| 150 | 0908653 | | 5/16-18 X 3/8" HEX SOC HD SCREW | | | | |
| 151 | 927-03-020-2660 | | 1 1/2" KEY | | | | |
| 152 | 422-40-303-0002 | | ARBOR W/FLANGE | | | | |
| 153 | 422-04-103-5001 | | FLANGE | | | | |
| 154 | 902-01-201-2571 | | .656-12 JAM NUT | | | | |
| 155 | 927-03-010-2653 | | 1 15/16" KEY | | | | |
| 156 | 41-644 | | MOTOR PULLEY, INCL: | | | | |
| 157 | 0908653 | | 5/16-18 X 3/8" HEX SOC HD SCREW | | | | |
| 158 | 49-124 | | V-BELTS - MATCHED SET OF THREE | | | | |

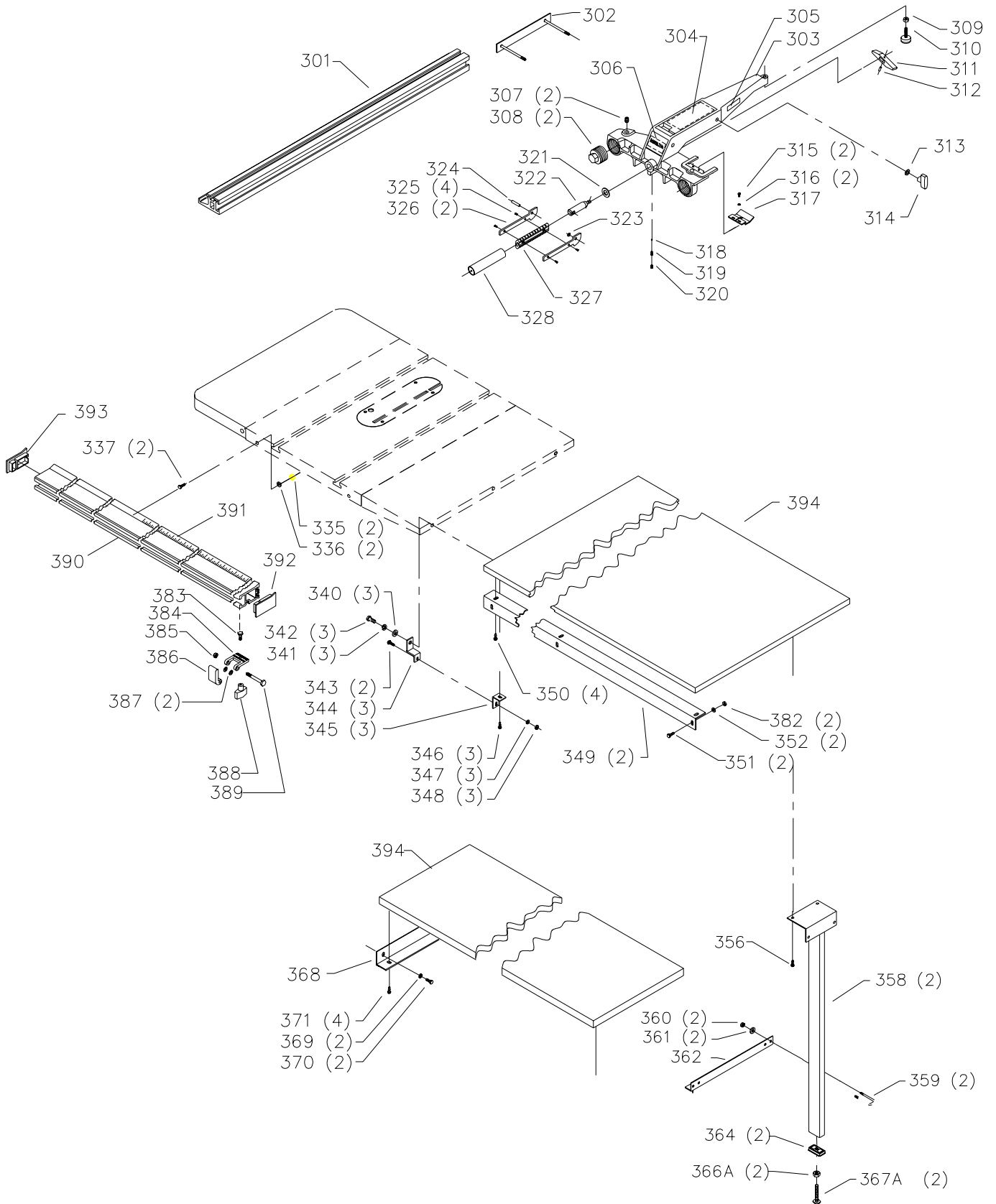
36-827
LEFT TILT BLADE GUARD



REPLACEMENT PARTS

| Ref. | No. | Part No. | Description |
|------|-----|-----------------|---------------------------------------|
| * | n | 936827 | LEFT TILT BLADE GUARD COMP, CONST OF: |
| * | | 422-40-354-0003 | LEFT TILT BLADE GUARD ASSY, CONST OF: |
| 200 | | 1086388 | PUSH NUT CAP |
| 201 | | 1087811 | PIN |
| 202 | | 422-40-354-0004 | LEFT TILT BLADE GUARD, INCL: |
| 203 | | 422-40-754-0002 | WARNING LABEL |
| 204 | | 422-16-047-0001 | KICK BACK FINGER |
| 205 | | 1086353 | SPRING |
| 206 | | 1086387 | PUSH NUT |
| 207 | | 1086337 | PIVOT BRACKET |
| 208 | | 422-04-071-0007 | PIN |
| 209 | | 905-01-010-6729 | 5/32" X 11/16" SPRING PIN |
| 210 | | 422-04-086-0002 | SPLITTER W/BUSHING |
| 211 | | 904-01-010-1620 | 5/16" FLAT WASHER |
| 212 | | 901-01-060-0649 | 5/16-18 X 1" HEX HD SCREW |
| 213 | | 422-03-072-0001 | PLATE |
| 214 | | 901-01-060-0649 | 5/16-18 X 1" HEX HD SCREW |
| 215 | | 901-01-060-0649 | 5/16-18 X 1" HEX HD SCREW |
| 216 | | 904-02-010-1703 | 5/16" LOCK WASHER |
| 217 | | 904-01-010-1620 | 5/16" FLAT WASHER |
| 218 | | 422-04-014-0018 | BRACKET |
| 219 | | 422-04-014-0019 | BRACKET |
| 220 | | 904-01-010-1620 | 5/16" FLAT WASHER |
| 221 | | 904-02-010-1703 | 5/16" LOCK WASHER |
| 222 | | 901-01-060-0649 | 5/16-18 X 1" HEX HD SCREW |
| 223 | | 422-04-089-0003 | SUPPORT ROD |
| 224 | | 904-03-020-1751 | 5/8" INT TOOTH WASHER |
| 225 | | 902-01-020-1226 | 5/8-18 JAM NUT |
| 226 | | 422-40-014-0005 | SPLITTER MOUNTING BRACKET |
| 228 | | 901-03-013-1698 | 5/16-18 X 2" HEX SOC HD SCREW |
| 229 | | 904-01-010-1620 | 5/16" FLAT WASHER |
| 230 | | 901-03-010-0757 | 5/16-18 X 3/4" HEX SOC HD SCREW |
| 275 | | 901-02-453-1123 | #10-32 X 1/2" PAN HD SCREW |
| 276 | | 438-01-016-0199 | STARTER, 36-842, 36-844 INCL: |
| | | 438-01-016-0204 | STARTER, 36-845 INCL: |
| 276A | n | 438-01-016-0200 | COVER |
| 277 | | 438-01-004-0007 | CORD CLAMP |
| 278 | | 438-01-011-0054 | INSULATOR SLEEVE |
| 279 | | 902-01-293-1513 | #10-32 KEPS NUT |
| 280 | | 422-40-014-0007 | MOUNTING BRACKET |
| 282 | | 901-03-033-1046 | 5/16-18 X 1" FLAT HD SCREW |
| 283 | | 904-01-010-1620 | 5/16" FLAT WASHER |
| 284 | | 902-01-010-1300 | 5/16-18 HEX NUT |
| * | | | NOT SHOWN ASSEMBLED |

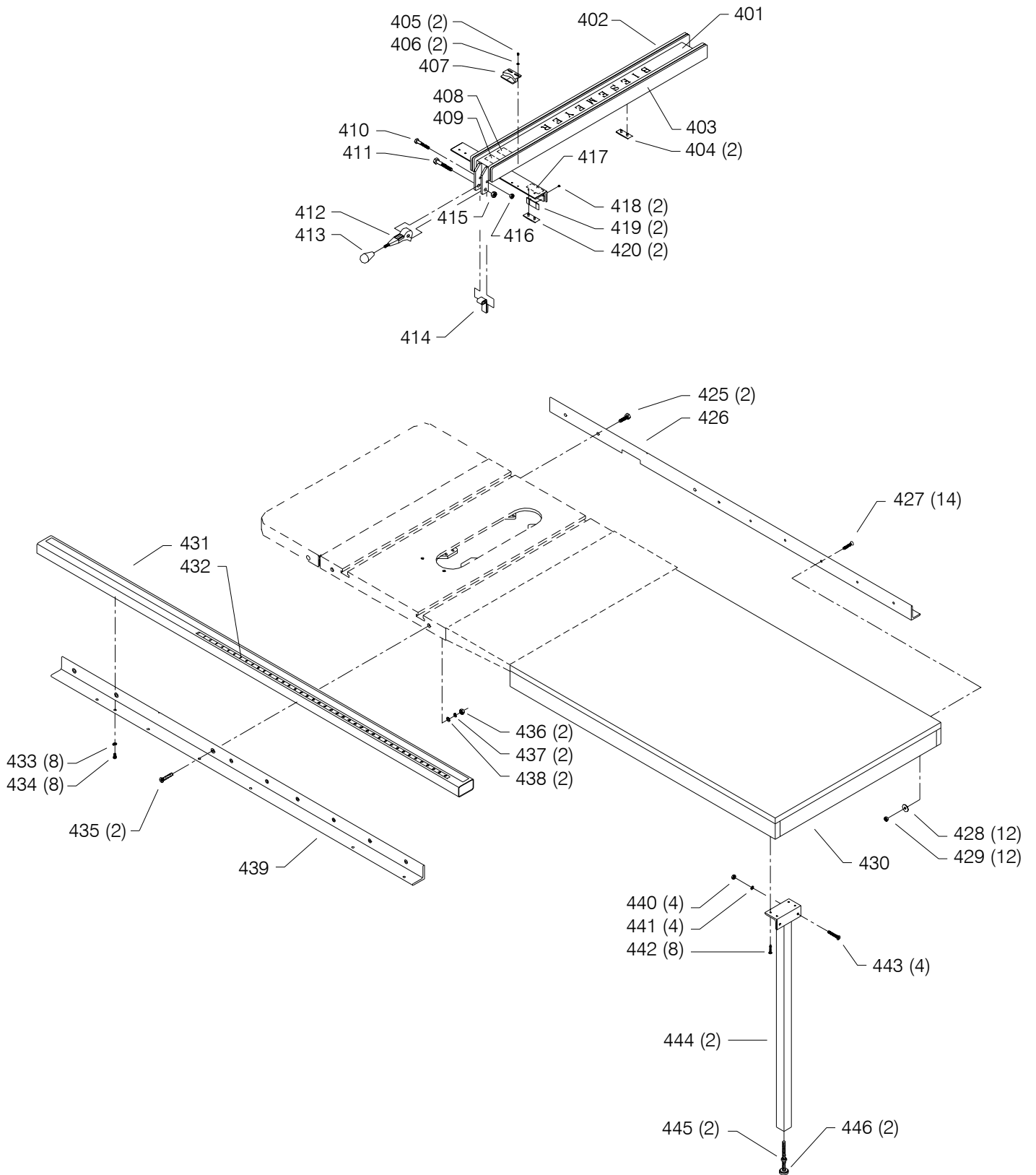
FOR 36-842



REPLACEMENT PARTS

| <u>Ref.</u> | <u>Part No.</u> | <u>Description</u> | <u>Ref.</u> | <u>Part No.</u> | <u>Description</u> |
|-------------|-----------------|--|-------------|-----------------|--------------------------------|
| * | 36-918 | 52" UNIFENCE ASSY , INCL.: REF. 301 THROUGH 389 | 348 | 902-01-120-1034 | 1/4-20 HEX NUT |
| 301 | 34-894 | 43" FENCE | 349 | 422-27-089-0020 | TABLE SUPPORT |
| 302 | 400-06-327-0001 | CLAMP ASSY | 350 | 901-25-043-1791 | 8-8 X 13/16" HEX WASHER HD SCR |
| 303 | 400-06-312-0005 | FENCE BODY ASSY, INCL: | 351 | 901-01-060-0612 | 1/4-20 X 5/8" HEX HD SCREW |
| 304 | 422-27-754-0012 | LABEL | 352 | 904-01-010-1614 | FLAT WASHER |
| 305 | 422-27-752-0018 | LABEL | 356 | 901-25-043-1791 | #8 X 3/4" HEX WASHER HD SCREW |
| 306 | 422-27-754-0013 | LABEL | 358 | 422-27-366-0005 | LEG ASSY |
| 307 | 422-39-112-0005 | LEVELING SCREW | 359 | 422-27-112-0005 | U-BOLT |
| 308 | 422-39-048-0001 | ADJUSTMENT PLUG | 360 | 902-01-120-1034 | 1/4-20 HEX NUT |
| 309 | 902-01-010-1300 | 5/16-18 HEX NUT | 361 | 904-01-010-1614 | 1/4" FLAT WASHER |
| 310 | 422-27-048-0001 | REAR SUPPORT FOOT | 362 | 422-27-089-0017 | SHELF SUPPORT |
| 311 | 422-27-068-0003 | LOCKING LUG | 364 | 1350481 | LEG ADAPTER |
| 312 | 905-01-010-2702 | 1/4" X 5/8" SPRING PIN | 366A | 902-01-020-5433 | 3/8-16 JAM NUT |
| 313 | 904-01-010-1620 | FLAT WASHER | 367A | 901-09-131-5295 | LEVELING SCREW |
| 314 | 424-12-060-0005 | KNOB | 368 | 422-27-014-0010 | BRACKET |
| 315 | 901-02-443-1812 | 8/32 X 1/2 PH SCREW | 369 | 904-01-010-1614 | FLAT WASHER |
| 316 | 904-01-013-1738 | 3/16" FLAT WASHER | 370 | 901-01-060-0612 | 1/4-20 X 5/8" HEX HD SCREW |
| 317 | 400-06-375-0002 | CURSOR | 371 | 901-25-043-1791 | 8-8 X 13/16" HEX WASHER HD SCR |
| 318 | 921-01-110-0001 | BALL | 382 | 902-01-120-1034 | NUT |
| 319 | 928-01-250-0001 | SPRING | * | 36-899 | FLIP STOP, CONST OF: |
| 320 | 901-04-150-9440 | 1/4-20 X 1/2" HEX SOC SET SCREW | 383 | 901-01-060-0649 | 5/16-18 X 1" HEX HEAD SCREW |
| 321 | 422-27-104-0002 | THRUST WASHER | 384 | 422-27-084-0007 | BRACKET |
| 322 | 422-39-106-0002 | SHAFT | 385 | 902-01-212-2409 | 1/4-20 LOCKNUT |
| 323 | 908-25-013-1756 | O-RING | 386 | 422-27-088-0002 | FLIP STOP |
| 324 | 905-01-103-1370 | 5/16" X 1 1/4" SPRING PIN | 387 | 904-07-010-5573 | FIBER WASHER |
| 325 | 901-05-163-1229 | 10-16 X 1/2" PAN HD SCREW | 388 | 424-12-060-0005 | KNOB 2" 5/16-18 |
| 326 | 422-39-019-0001 | CAM HANDLE | 389 | 901-01-060-0622 | 1/4-20 X 2" HEX HEAD SCREW |
| 327 | 422-39-138-0002 | HANDLE | 390 | 36-904 | 52" UNIFENCE RAIL, INCL: |
| 328 | 422-39-105-0001 | GRIP | 391 | 400-06-432-0001 | SCALE - FOR 52" RAIL |
| 335 | 902-01-010-5900 | 3/8-16 JAM NUT | | 400-06-432-0005 | SCALE - FOR 96" RAIL |
| 336 | 904-01-010-1615 | 7/16" FLAT WASHER | 392 | 422-27-020-0004 | END CAP-RH |
| 337 | 901-01-060-0642 | 3/8-16 x 1" HEX HEAD SCREW | 393 | 422-27-020-0003 | END CAP-LH |
| 340 | 904-01-010-1638 | 1/4" FLAT WASHER | 394 | 36-947 | AUXILLARY TABLE & SHELF |
| 341 | 904-02-010-1716 | 7/16" LOCK WASHER | | | |
| 342 | 901-01-060-0680 | 7/16-20 X 3/4" HEX HD SCREW | * | | NOT SHOWN ASSEMBLED |
| 343 | 901-11-020-0821 | 1/4-20 X 3/4" CARRIAGE HD SCREW | | | |
| 344 | 422-27-014-0003 | ADAPTER | | | |
| 345 | 422-27-089-0007 | ANGLE BRACKET | | | |
| 346 | 901-25-043-1791 | 8-8 X 13/16" HEX WASHER HD SCR | | | |
| 347 | 904-01-010-1614 | 1/4" FLAT WASHER | | | |

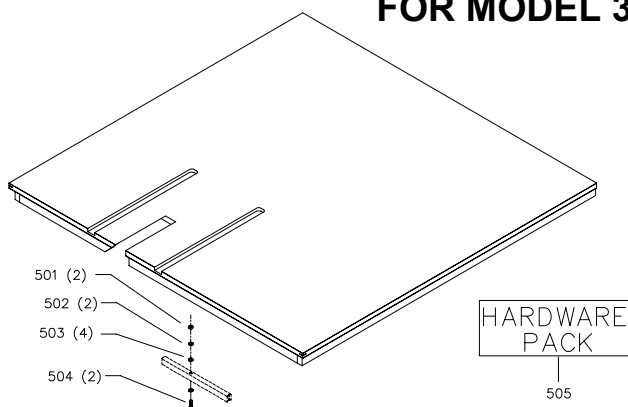
FOR 36-844 & 36-845



REPLACEMENT PARTS

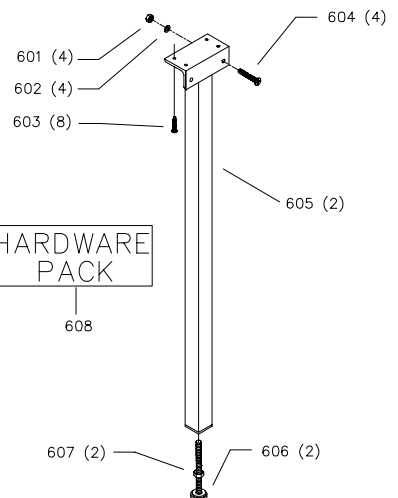
| Ref. No. | Part No. | Description | Ref. No. | Part No. | Description |
|----------|----------|----------------------------------|----------|----------|-------------------------------|
| 401 | 78-996 | FENCE ASSY , INCL: | 426 | 1359181 | REAR RAIL |
| 402 | 1359178 | LEFT BOARD SERVICE KIT | 427 | 1350289 | 1/4-20 X 1 1/2" FLAT HD SCREW |
| 403 | 1359179 | RIGHT BOARD SERVICE KIT | 428 | 1350290 | 1/4" FLAT WASHER |
| 404 | 1350019 | GLIDE PAD | 429 | 1350284 | 1/4-20 HEX NUT |
| 405 | 1352033 | 8-32 X 3/8" ROUND HD SCREW | 430 | 78-924 | EXTENSION TABLE |
| 406 | 1352034 | FLAT WASHER | 431 | 1359180 | GUIDE TUBE ASSY, INCL: |
| 407 | 1352593 | CURSOR | 432 | n 79-064 | SCALE (SEE B) |
| 408 | 1350077 | FLAG DECAL | 433 | 1350293 | 1/4" LOCK WASHER |
| 409 | 1350078 | NAMEPLATE | 434 | 1350294 | 1/4-20 X 3/4" HEX HD SCREW |
| 410 | 1350277 | 1/4-20 X 1 3/4" HEX HD SCREW | 435 | 1352011 | 3/8-16 X 1 1/2" FLAT HD SCREW |
| 411 | 1350278 | SPECIAL SCREW | 436 | 1350291 | 3/8-16 HEX NUT |
| 412 | 1352490 | CAM HANDLE | 437 | 1350288 | 3/8" LOCK WASHER |
| 413 | 1350018 | KNOB | 438 | 1350286 | FLAT WASHER |
| 414 | 1352492 | CAM FOOT ASSY | 439 | 1359182 | FRONT RAIL |
| 415 | 1350279 | 3/8-16 LOCK NUT | 440 | 1350284 | 1/4-20 HEX NUT |
| 416 | 1350280 | 1/4-20 LOCK NUT | 441 | 1350283 | 1/4" FLAT WASHER |
| 417 | 1350155 | DECAL | 442 | 1350630 | 8 X 5/8" PAN HD SCREW |
| 418 | 1350492 | 3/8-16 X 5/16" HEX SOC SET SCREW | 443 | 1350289 | 1/4-20 X 1 1/2" FLAT HD SCREW |
| 419 | 1350051 | GLIDE PAD | 444 | 1352485 | LEG ASSY |
| 420 | 1350019 | GLIDE PAD | 445 | 1350291 | 3/8-16 HEX NUT |
| 425 | 1350285 | 3/8-24 X 1 1/4" HEX HD SCREW | 446 | 1350194 | LEVELING ASSY |

FOR MODEL 36-845



| Ref. No. | Part No. | Description |
|----------|----------|-------------------------|
| * | 78-969 | OUTFEED TABLE, INCL: |
| 501 | 1350315 | 10-32 HEX NUT |
| 502 | 1350820 | 3/16" LOCK WASHER |
| 503 | 1350276 | FLAT WASHER |
| 504 | 1350819 | 10-32 X 1" HEX HD SCREW |
| 505 | 1350479 | HARDWARE PACK |

* NOT SHOWN ASSEMBLED



| Ref. No. | Part No. | Description |
|----------|----------|-------------------------------|
| * | 78-993 | SUPPORT LEGS, CONST OF: |
| 601 | 1350284 | 1/4-20 HEX NUT |
| 602 | 1350283 | 1/4" FLAT WASHER |
| 603 | 1350630 | 10-32 X 5/8" PAN HD SCREW |
| 604 | 1350289 | 1/4-20 X 1 1/2" FLAT HD SCREW |
| 605 | 1352485 | LEG ASSY |
| 606 | 1350194 | LEVELING ASSY |
| 607 | 1350291 | 3/8 - 16 HEX NUT |
| 608 | 1350479 | HARDWARE PACK |

* NOT SHOWN ASSEMBLED

STANDARD SAFETY EQUIPMENT

In order to promote tool safety, Delta Machinery strictly enforces the policy of repairing or replacing any damaged or missing standard safety equipment on machines presented to Delta Authorized Service Centers for service/repairs. Any product that is presented to a Delta Authorized Service Centers for repairs which contains missing or damaged standard safety equipment will have that equipment repaired or replaced and the customer will be charged for any such service/repairs. Customers can avoid such charges only if the missing safety component is supplied to the service center at the time of repair.

This parts list is provided to aid in obtaining service parts. Copies of the instruction and maintenance literature can be obtained through the Delta Technical Publications Department or through your service outlet.