

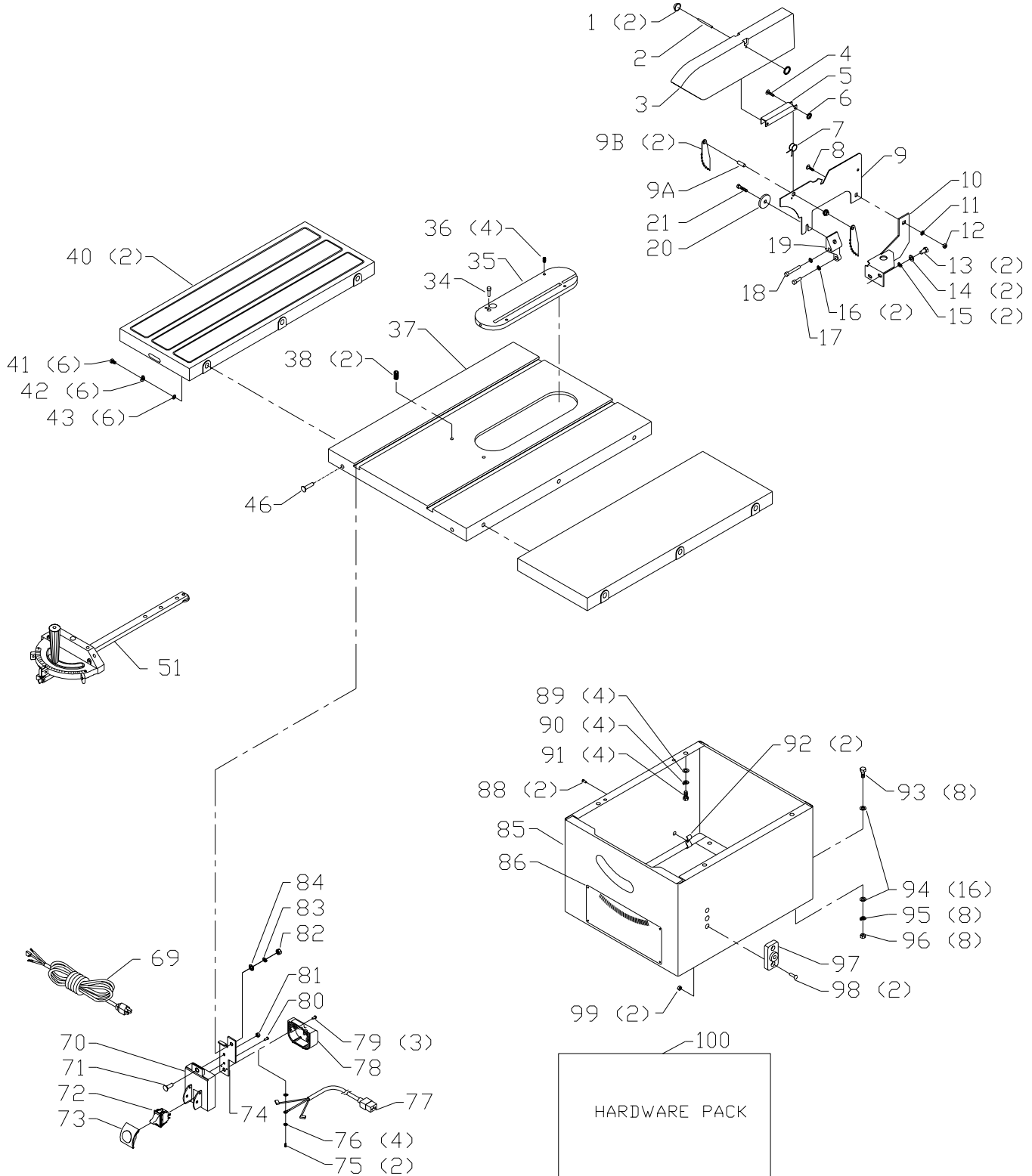


36-649, 36-678, 36-679, 36-680, 36-680X  
36-680XL, 36-681, 36-681XL, 36-682, &  
36-682XL  
10" CONTRACTORS  
TABLE SAW

CS-4Q-6C

PART NO. 912858

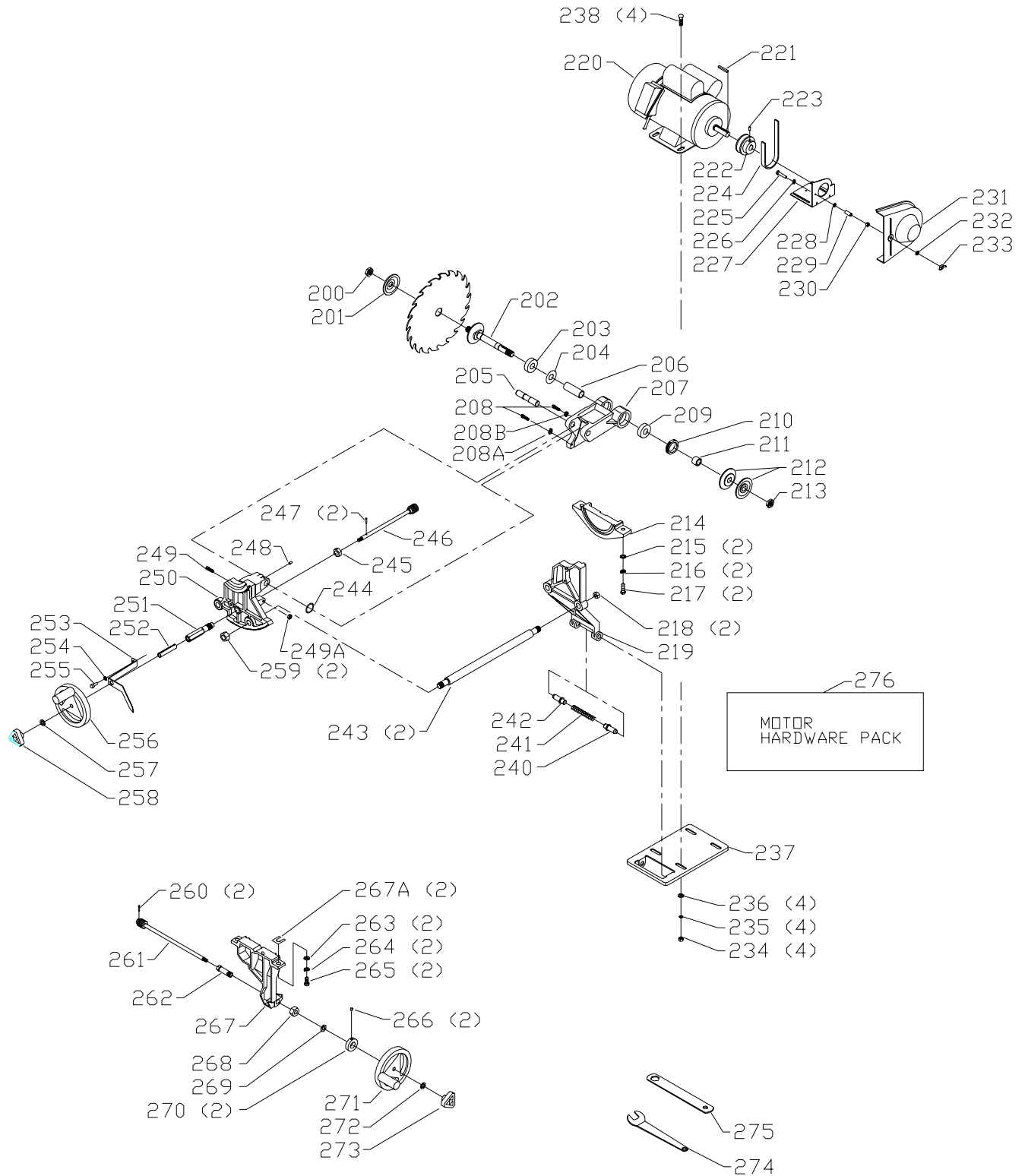
Dated: 09-10-04



# REPLACEMENT PARTS

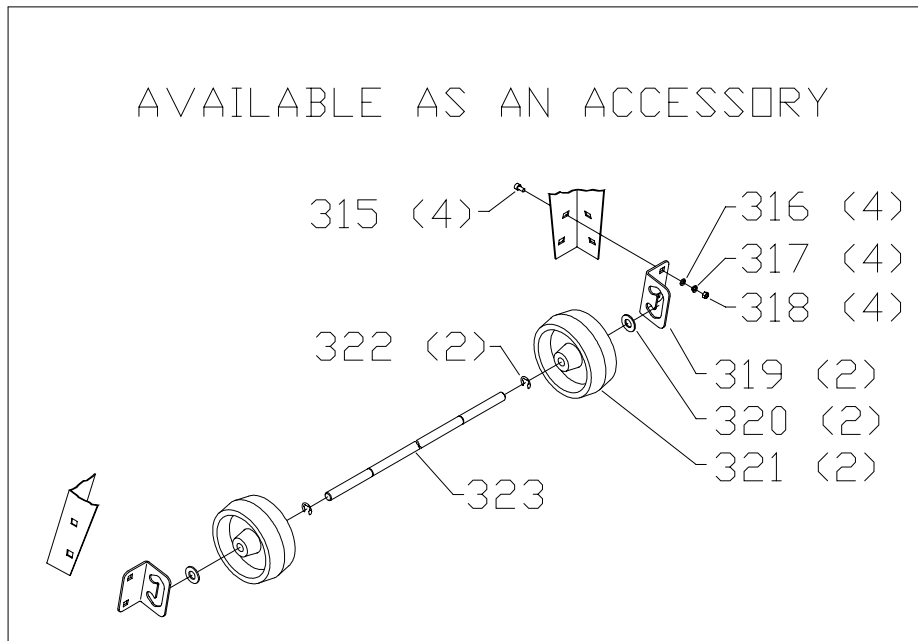
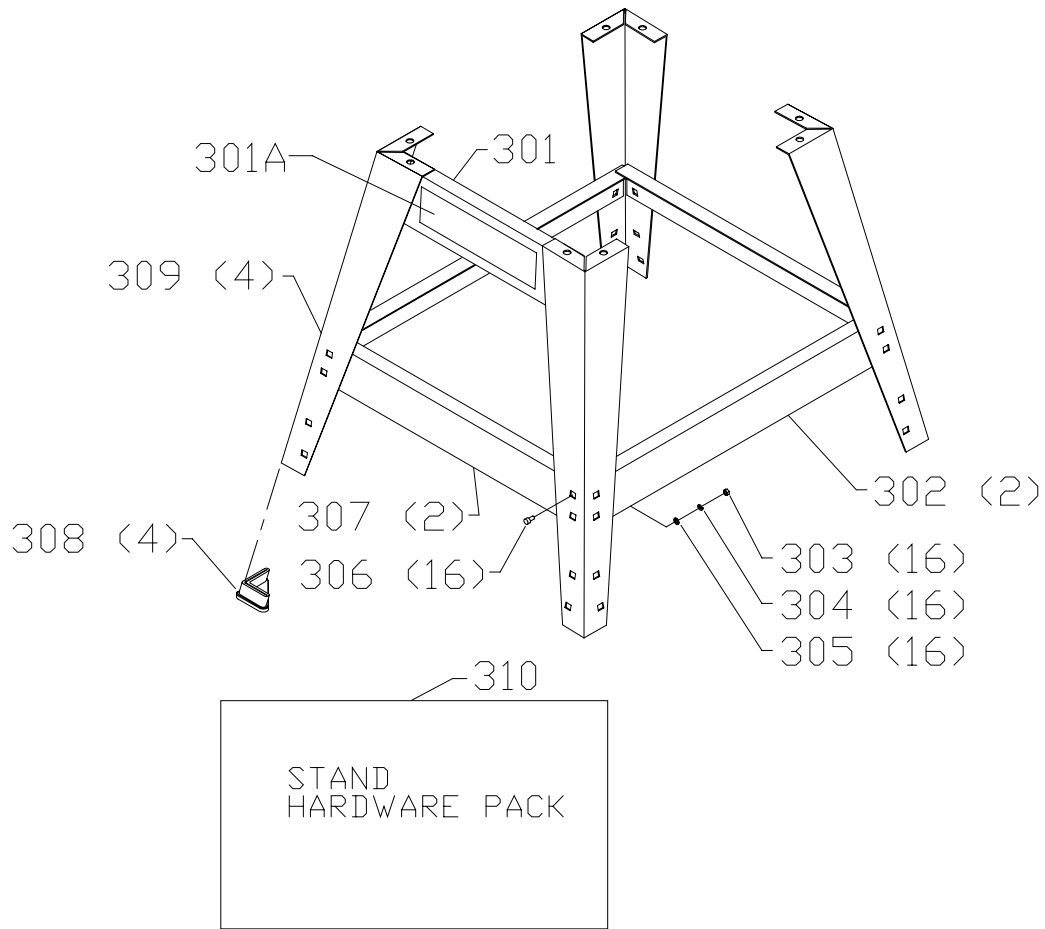
<u>Ref.</u>	<u>Part No.</u>	<u>Description</u>	<u>Ref.</u>	<u>Part No.</u>	<u>Description</u>
*	1344973	BLADE GUARD ASSY, INCL.:	80	1340406	M4.2 X 10MM PAN HD SCREW
1	1313270	PUSH NUT	81	902-01-120-1034	1/4-20 HEX NUT
2	1313271	PIN	82	902-01-010-5900	3/8-16 JAM NUT
3	1344974	"SEE THRU" GUARD	83	904-02-020-1704	3/8" LOCK WASHER
4	1313273	PIN	84	904-01-010-1615	FLAT WASHER
5	1313274	BRACKET	85	902909	CABINET, INCL:
6	1313275	LOCK RING	86	902711	NAMEPLATE
7	1313276	SPRING	88	1246047	M5 X 16MM CHEESE HD SCREW
8	901-11-023-1476	5/16-18 X 5/8" CARRIAGE HD SCREW	89	904-01-031-5655	FLAT WASHER
9	1344975	SPLITTER	90	1343390	5/16" LOCK WASHER
9A	1310311	M4 X 22MM SPRING PIN	91	901-01-060-0606	5/16-18 X 5/8" HEX HD SCREW
9B	1313279	ANTI-KICKBACK FINGER	92	1340719	CLAMP
10	1344976	BRACKET	93	901-01-060-0606	5/16-18 X 5/8" HEX HD SCREW
11	904-01-010-1620	5/16" FLAT WASHER	94	904-01-010-1620	5/16" FLAT WASHER
12	902-01-010-1300	5/16-18" HEX NUT	95	904-02-010-1703	5/16" LOCK WASHER
13	901-01-060-0626	1/4-20 X 3/4" HEX HD SCREW	96	902-01-010-1300	5/16-18 HEX NUT
14	904-01-010-1614	1/4" FLAT WASHER	97	1344604	BRACKET
15	904-02-020-1702	1/4" LOCK WASHER	98	901-02-010-0506	5/16-18 X 5/8" ROUND HD SCREW
16	904-01-031-2934	1/4" FLAT WASHER	99	902-01-503-1514	5/16-18 FLANGE NUT
17	901-03-010-0755	1/4-20 X 3/4" HEX SOC HD SCREW	100	902907	HARDWARE PACK
18	901-03-010-0230	1/4-20 X 2" HEX SOC HD SCREW			
19	1344978	SPLITTER BRACKET	*	NOT SHOWN ASSEMBLED	
20	1344977	PLATE			
21	901-01-060-0649	5/16-18 X 1" HEX HD SCREW			
34	n 1310006	M05-0.8 X 20MM ROUND HD SCREW			
35	1344592	TABLE INSERT, INCL:			
36	901-04-461-5297	1/4-28 X 3/8" HEX SOC SET SCR (NOTE A)			
37	1344606	TABLE			
38	901-04-293-1395	5/16-18 X 3/4" HEX SOC SET SCR (NOTE A)			
40	902908	EXTENSION WING, 36-649			
	912856	RIGHT EXTENSION WING, 36-679, 36-680XL			
	A01413	LEFT EXTENSION WING, 36-678, 36-679, 36-680, 36-680XL, 36-681, 36-681XL, 36-682, & 36-682XL			
41	901-01-060-0680	7/16-20 X 3/4" HEX HD SCREW			
42	904-02-010-1716	7/16" LOCKWASHER			
43	904-01-010-1606	7/16" FLAT WASHER			
46	1352011	3/8-16 X 1 1/2" FLAT HD SCREW			
51	34-928	MITER GAGE			
69	1344602	POWER CORD			
70	1344609	SWITCH BOX			
71	901-03-030-8013	1/4-20 X 3/4" FLAT HD SCREW			
72	1344600	SWITCH			
73	1344601	SWITCH PADDLE			
74	1344608	SWITCH PLATE			
75	901-05-163-1126	08-32 X 5/16" PAN HD SCREW			
76	1310210	M4.3 EXT TOOTH WASHER			
77	1344599	CORD W/FEMALE DISCONNECT			
78	1344607	SWITCH BOX			
79	1310547	M4.2 X 12MM PAN HD SCREW			

**NOTE A:** WHEN SERVICING, USE THREAD RETAINING COMPOUND PRIOR TO INSTALLATION.



# REPLACEMENT PARTS

<u>Ref.</u>	<u>No.</u>	<u>Part No.</u>	<u>Description</u>	<u>Ref.</u>	<u>No.</u>	<u>Part No.</u>	<u>Description</u>
	200	1344990	L. H. ARBOR NUT		249	n 1246050	M05-0.8 X 25MM HEX SOC HD SCREW
	201	1344991	FLANGE		249A	n A07478	M05-0.8 SPECIAL NUT
	202	1344992	ARBOR SHAFT		250	1344987	FRONT TRUNNION
	203	1086894	BEARING		251	1344986	SLEEVE
	204	928-06-020-7382	LOAD SPRING		252	1344981	SPACER
	205	1344994	SHAFT		253	1344980	POINTER
	206	1344993	SPACER		254	904-01-010-1614	1/4" FLAT WASHER
	207	1344995	BRACKET		255	901-03-010-3309	1/4-20 X 5/8" HEX SOC HD SCREW
	208	n A07476	M05-0.8 X 18MM HEX SOC HD SCREW		256	902900	HANDWHEEL ASSY
	208A	n 1343533	M05 LOCKWASHER		257	1313239	WASHER
	208B	n 1243395	M05-0.8 HEX NUT		258	902898	KNOB
	209	1086894	BEARING		259	902-01-283-1393	5/8-18" LOCKNUT
	210	1344996	NUT		260	1246147	M3 X 14MM SPRING PIN
	211	1344997	SPACER		261	1344984	TILT SHAFT ASSY
	212	1344998	PULLEY HALF		262	1344983	ECCENTRIC
	213	902-01-020-1226	5/8-18" JAM NUT		263	904-01-010-1604	5/16" FLAT WASHER
	214	1345000	BRACKET		264	1343390	5/16" LOCK WASHER
	215	904-01-010-1604	5/16" FLAT WASHER		265	901-01-060-0649	5/16-18 X 1" HEX HD SCREW
	216	1343390	5/16" LOCK WASHER		266	901-04-150-0208	1/4-20 X 1/4" HEX SOC SET SCREW
	217	901-01-060-0649	5/16-18 X 1" HEX HD SCREW		267	1344982	FRONT TRUNNION BRACKET
	218	902-01-283-1393	5/8-18" LOCKNUT		267A	1345086	SHIM
	219	1344999	REAR TRUNNION		268	1345084	9/16-18" JAM NUT
	220	902916	MOTOR		269	904-01-031-2933	3/8" FIBER WASHER
	221	428-07-079-0009	KEY		270	1344985	COLLAR
	222	1345008	MOTOR PULLEY		271	902900	HANDWHEEL ASSY
	223	901-04-150-0206	5/16-18 X 5/16" HEX SOC SET SCREW		272	1313239	WASHER
	224	49-034	BELT		273	902898	KNOB
	225	901-01-060-3124	1/4-20 X 1 1/2" HEX HD SCREW		274	1313232	7/8" OPEN END WRENCH
	226	904-03-030-1757	1/4" EXT TOOTH WASHER		275	955-01-050-1482	7/8" X 1/2" WRENCH
	227	1345005	PLATE		276	905526	MOTOR HARDWARE PACK
	228	904-01-010-1614	FLAT WASHER				
	229	1345006	SPACER				
	230	902-01-120-1034	1/4-20" HEX NUT				
	231	1345007	COVER				
	232	904-03-030-1757	1/4" EXT TOOTH WASHER				
	233	902-04-010-1402	1/4-20" WING NUT				
	234	902-01-010-1300	5/16-18" HEX NUT				
	235	904-03-030-1656	5/16" EXT TOOTH WASHER				
	236	904-01-010-1620	5/16" FLAT WASHER				
	237	1345003	MOTOR PLATE				
	238	901-11-020-0834	5/16-18 X 3/4" CARRIAGE HD SCREW				
	240	1345001	PIN				
	241	1345002	SPRING				
	242	1345001	PIN				
	243	1344989	TIE BAR				
	244	928-06-013-1676	WAVE WASHER				
	245	902-01-020-1226	5/8-18" JAM NUT				
	246	1344988	ELEVATING SHAFT ASSY				
	247	1246147	M3 X 14MM SPRING PIN				
	248	901-04-141-9152	1/4-20 X 5/16" HEX SOC SET SCREW				



# REPLACEMENT PARTS

Ref.

<u>No.</u>	<u>Part No.</u>	<u>Description</u>
*	902942	STAND, INCL.:
301	902913	BRACKET
301A n	902707	WARNING LABEL
302	902914	BRACKET
303	902-01-010-1300	5/16-18 HEX NUT
304	904-02-010-1703	5/16" LOCK WASHER
305	904-01-010-1620	5/16" FLAT WASHER
306	901-11-023-1476	5/16-18 X 5/8" CARRIAGE HD SCREW
307	902912	BRACKET
308	427-99-048-0001	PLASTIC FOOT
309	902911	LEG
310	905527	STAND HARDWARE PACK

## ACCESSORIES: (Optional)

*	50-338	WHEEL KIT, INCL.:
315	901-11-023-1476	5/16-18 X 5/8" CARRIAGE HD SCREW
316	904-01-010-1620	FLAT WASHER
317	904-02-010-1703	5/16" LOCK WASHER
318	902-01-010-1300	5/16-18" HEX NUT
319	1345079	WHEEL SUPPORT BRACKET
320	904-01-031-5734	FLAT WASHER
321	1345080	WHEEL
322	1340725	EXT RET RING
323	1345081	WHEEL SHAFT

\* NOT SHOWN ASSEMBLED

---

## STANDARD SAFETY EQUIPMENT

In order to promote tool safety, Delta Machinery strictly enforces the policy of repairing or replacing any damaged or missing standard safety equipment on machines presented to Delta Authorized Service Centers for service/repairs. Any product that is presented to a Delta Authorized Service Center for repair with damaged or missing standard safety equipment will have that equipment repaired or replaced and the customer will be charged for any such service/repairs. Customers can avoid such charges only if the missing safety component is supplied to the service center at the time of repair.

This parts list is provided to aid in obtaining service parts. Copies of the instruction and maintenance literature can be obtained through the Delta Technical Publications Department, your service outlet, or by visiting the Delta Website @ [www.deltamachinery.com](http://www.deltamachinery.com).