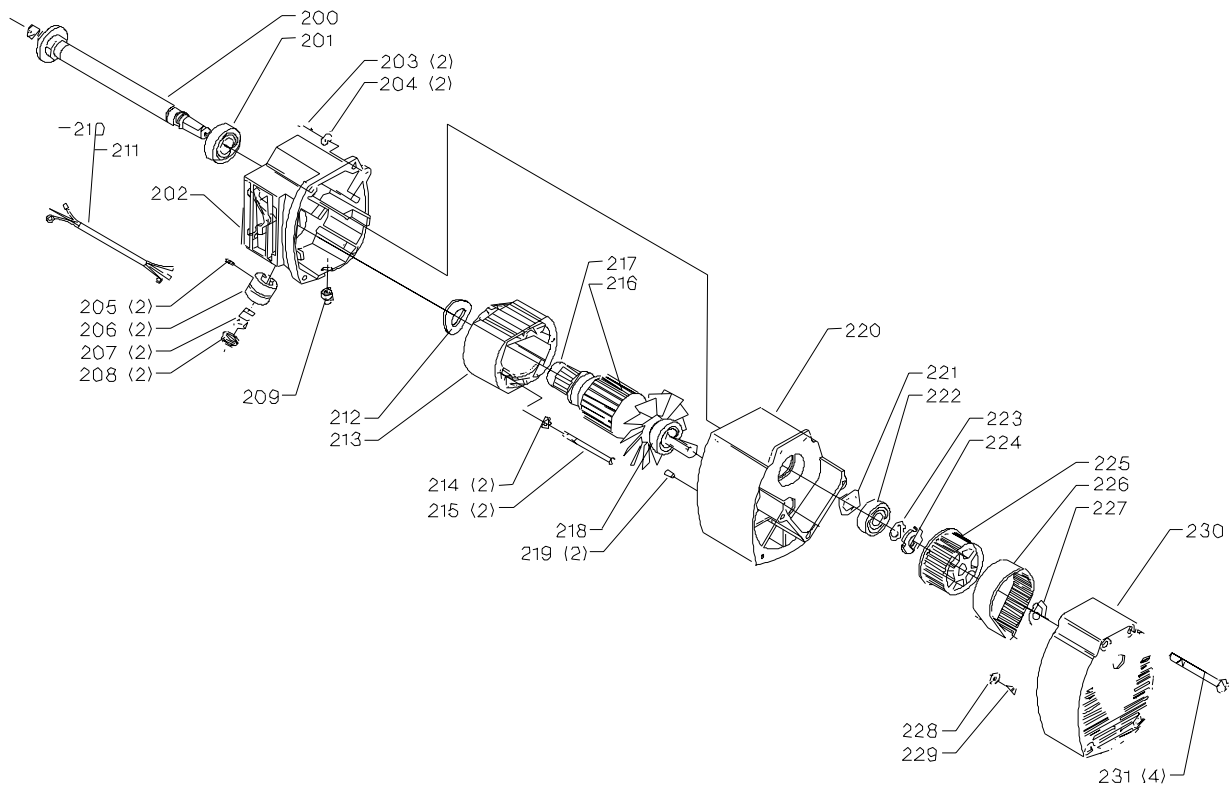
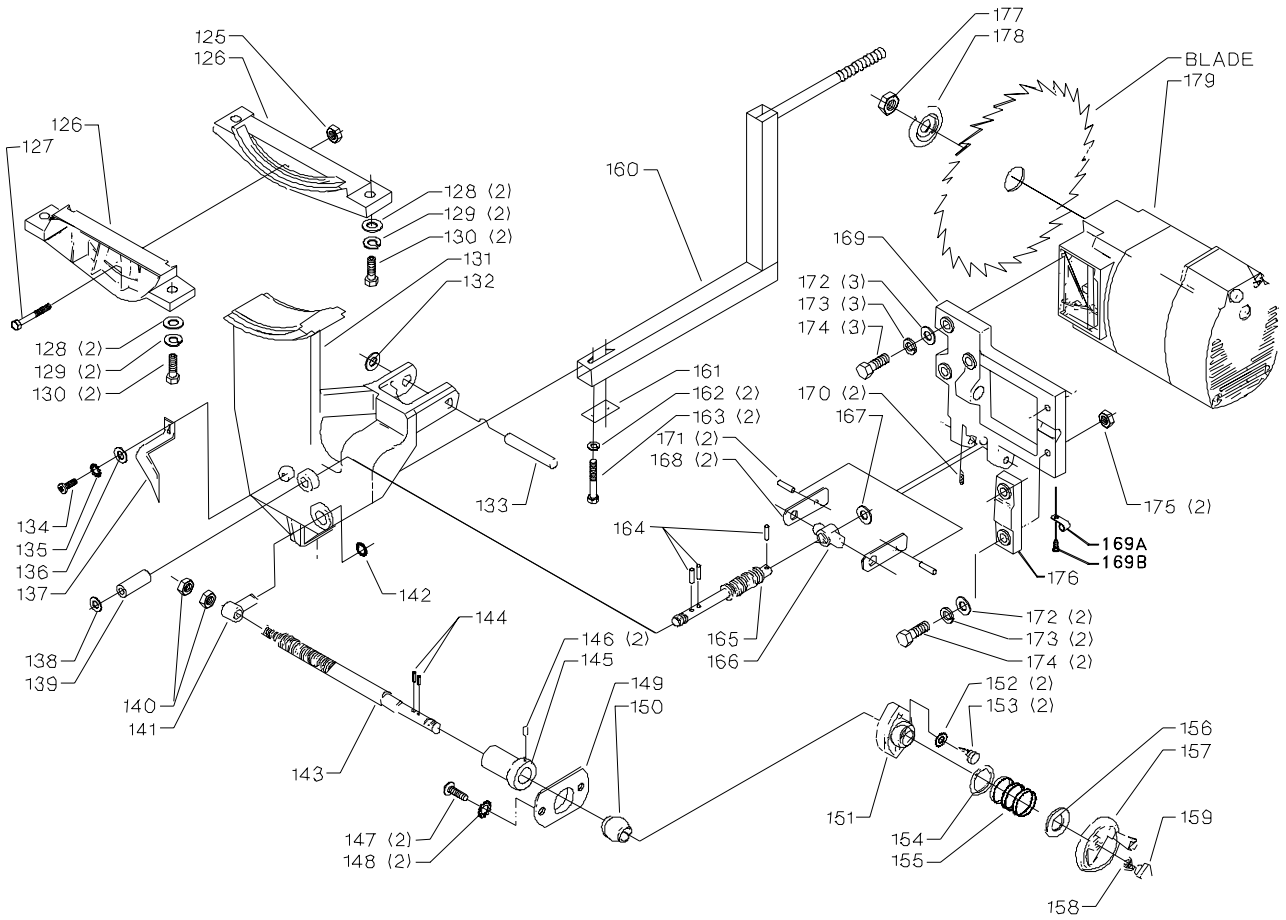


REPLACEMENT PARTS

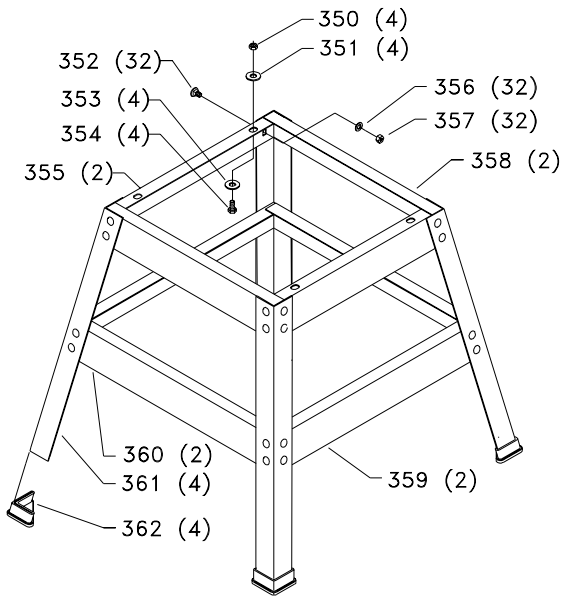
Ref.			Ref.		
<u>No.</u>	<u>Part No.</u>	<u>Description</u>	<u>No.</u>	<u>Part No.</u>	<u>Description</u>
1	34-678	TABLE INSERT, INCL:	48	1243569	M4 HEX NUT
1A	1246135	M6 X 16MM FLAT HD SCREW	49	1310161	M4 X 18MM PAN HD SCREW
1B	1313226	RUBBER WASHER	50	1313247	PIN
2	1348724	REAR RAIL (LEFT)	51	1310055	M6 X 6MM HEX SOC SET SCREW
3	1348722	REAR RAIL (RIGHT)	52	1313243	POINTER
4A	310105	M8 X 16MM HEX HD SCREW	53	1345220	GUIDE BAR
4B	1246157	M8.1 LOCK WASHER	53A	422-04-072-0001	PLATE
4C	1340637	M8.4 FLAT WASHER	53B	901-02-030-5750	1/4-28 X 5/16" FLAT HD SCREW
5A	1340637	M8.4 FLAT WASHER	54	1313245	STOP LINK
5B	1246157	M8.1 LOCK WASHER	*	1313282	BLADE GUARD ASSY, CONST OF:
5C	1243398	M8 HEX NUT	55	1313270	PUSH NUT
6A	1243456	M6 HEX NUT	56	1313271	PIN
6B	1243520	M6.1 LOCK WASHER	57	1313272	"SEE THRU" BLADE GUARD
6C	1310062	M6.4 FLAT WASHER	58	1313273	PIN
9	1348729	END PLUG	59	1313274	GUARD BRACKET
10	1348889	M6 X 30MM CARRIAGE HD SCREW	60	1313275	LOCK RING
11	902699	SCALE, T2	61	1313276	SPRING
	1348728	SCALE, T1	62	1313277	SPLITTER
12	902897	FRONT RAIL (RIGHT), T2	63	1313278	BUSHING
	1348727	FRONT RAIL (RIGHT), T1	64	1313279	ANTI-KICKBACK FINGER
13	1348726	ADAPTER	65	1310311	M4 X 22MM SPRING PIN
14	902940	FRONT RAIL (LEFT), T2	66	1246015	M6 X 20MM HEX HD SCREW
	1348725	FRONT RAIL (LEFT), T1	67	904-03-030-1757	1/4" EXT TOOTH WASHER
15	1348723	TABLE	68	904-01-010-1604	5/16" FLAT WASHER
16	902894	EXT. WING, T2	69	1313280	BRACKET
	1313215	EXT. WING, T1	70	1243476	M12 HEX NUT
17A	1310105	M8 X 16MM HEX HD SCREW	71	904-01-010-1608	5/8" FLAT WASHER
17B	904-02-010-1703	5/16" LOCK WASHER	72	1313281	M6 WING NUT
17C	904-01-010-1605	3/8" FLAT WASHER	*	1348731	FENCE ASSY, CONST OF:
18	902896	CABINET, T2	73	1348739	END PLUG
	1348730	CABINET, T1	74	1348740	REAR CLAMP
19	904-01-010-1605	3/8" FLAT WASHER	75	1348741	BUMPER
20	904-02-010-1703	5/16" LOCK WASHER	76	1246047	M5 X 16MM CHEESE HD SCR(NOTE A)
21	1310105	M8 X 16MM HEX HD SCREW	77	1341951	M6 X 10MM HEX HD SCR (NOTE A)
22	902895	COVER, T2	78	1348742	FENCE BUMPER
	1313219	COVER, T1	79	1342000	M6 X 8MM FLAT HD SCR (NOTE A)
23	1313218	PUSH PIN	80	1343642	M6 LOCK NUT
24	902900	HANDWHEEL ASSY, T2	81	1348743	CLAMP
	1086491	HANDWHEEL ASSY, T1	82	1341046	M6 X 8MM CHEESE HD SCR (NOTE A)
25	1313239	WASHER	83	1246140	M6.4 FLAT WASHER
26	902898	KNOB, T2	84	1348744	POINTER
	1313223	KNOB, T1	85	1348745	FENCE
27	902701	NAMEPLATE, T2	86	1330151	M6 X 35MM HEX HD SCREW
	1349138	NAMEPLATE, T1	87	1246140	M6.4 FLAT WASHER
28	1087576	#8 X 1/2" PAN HD SCREW	88	1348746	ECCENTRIC
29	1313227	M4 X 12MM CHEESE HD SCREW	89	1243496	M10 HEX NUT
30	1310162	M5 X 12MM PAN HD SCREW	90	1348747	HANDLE
31	1343759	SWITCH, INCL:	91	1348659	M10 X 78MM HEX SOC HD SCREW
32	1343758	SWITCH KEY	92	1349141	NAMEPLATE
33	1313230	SWITCH BOX	94	1313197	15/16" HEX ARBOR WRENCH
34	1313229	BREAKER SWITCH W/PLATE, INCL:	95	1313232	7/8" OPEN END WRENCH
35	1313228	NUT			
36	1313228	NUT	*	NOT SHOWN ASSEMBLED	
37	904-03-030-1795	3/16" EXT TOOTH WASHER			
38	1243395	M5 HEX NUT			
39	1313220	CLAMP			
40	1310162	M5 X 12MM PAN HD SCREW			
41	1313231	BUSHING			
42	1313235	POWER CORD			
43	1349139	WARNING LABEL			
*	1345226	MITER GAGE ASSY, CONST OF:			
44	1342685	HANDLE			
45	1313241	WASHER			
46	1313242	MITER GAGE BODY			
47	1310055	M6 X 6MM HEX SOC SET SCREW			

NOTE A: WHEN SERVICING, USE THREAD RETAINING COMPOUND PRIOR TO INSTALLATION.



REPLACEMENT PARTS

Ref.			Ref.		
<u>No.</u>	<u>Part No.</u>	<u>Description</u>	<u>No.</u>	<u>Part No.</u>	<u>Description</u>
125	1343642	M6 LOCK NUT	169A	1330682	CLAMP
126	1313286	TRUNNION	169B	1310143	M5 X 8MM PAN HD SCREW
127	1310154	M6 X 65MM PAN HD SCREW	170	1246008	M5 X 12MM HEX SOC SET SCREW
128	904-01-010-1605	3/8" FLAT WASHER	171	1313291	PIN
129	904-02-010-1703	5/16" LOCK WASHER	172	904-01-010-1620	FLAT WASHER
130	1246016	M8 X 25MM HEX HD SCREW	173	904-02-010-1703	5/16" LOCK WASHER
131	1345235	TRUNNION	174	1246017	M8 X 30MM HEX HD SCREW
132	1313289	WASHER	175	1243398	M8 HEX NUT
133	1313290	PIN	176	1313294	SEAT
134	1310155	M5 X 8MM CHEESE HD SCREW	177	902-01-201-2567	5/8-18 HEX NUT
135	1320101	M5.3 EXT TOOTH WASHER	178	1313292	FLANGE
136	1340622	M6.4 FLAT WASHER	179	1313314	MOTOR, COMPLETE, CONST OF:
137	1313287	POINTER	200	1313316	SHAFT
138	904-01-010-1606	3/8" FLAT WASHER	201	1313116	BALL BEARING
139	1313300	SPACER	202	1313117	FRONT HOUSING
140	1243496	M10 HEX NUT	203	1310157	M6 X 20MM PAN HD SCREW
141	1313301	NUT	204	904-02-020-1702	1/4" LOCK WASHER
142	1313299	O RING	205	1310172	SPECIAL SCREW
143	1313305	SHAFT	206	1313112	BRUSH HOLDER
144	1310310	M3 X 18MM SPRING PIN	207	1313113	BRUSH
145	1313302	COLLAR	208	1313114	BRUSH CAP
146	1243304	M6 X 8MM HEX SOC SET SCREW	209	1313317	BUSHING
147	1313306	M6 X 18MM PAN HD SCREW	210	438-01-007-0009	WIRE NUT
148	904-03-030-1757	1/4" EXT TOOTH WASHER	211	1313318	CABLE
149	1313303	BLOCK	212	1313118	WAVE WASHER
150	1313304	BEARING	213	1313319	FIELD ASSY.
151	1313307	BLOCK	214	904-03-030-1795	3/16" EXT TOOTH WASHER
152	1310216	M8.4 EXT TOOTH WASHER	215	1310148	M5 X 60MM PAN HD SCREW
153	1313308	M8 X 18MM CHEESE HD SCREW	216	1313121	ARMATURE ASSY, INCL:
154	1313309	WASHER	217	1313120	BALL BEARING
155	1313310	SPRING	218	1313122	BALL BEARING
156	1313311	SPECIAL WASHER	219	1313207	PIN
157	902900	HANDWHEEL ASSY, T2	220	1313359	REAR HOUSING
	1086491	HANDWHEEL ASSY, T1	221	1313124	WAVE WASHER
158	1313239	WASHER	222	1313122	BALL BEARING
159	902898	KNOB, T2	223	1313126	LOCKWASHER
	1313223	KNOB, T1	224	1313127	SHAFT NUT
160	1345233	GUARD SUPPORT	225	1313129	PULLEY
161	1345234	PLATE	226	34-674	DRIVE BELT
162	1243520	M6.1 LOCK WASHER	227	1246196	EXT RET RING
163	1246128	M6 X 40MM HEX HD SCREW	228	1310195	SPECIAL WASHER
164	1310310	M3 X 18MM SPRING PIN	229	1310143	M5 X 8MM PAN HD SCREW
165	1313295	ELEVATING SHAFT	230	1313360	PULLEY COVER
166	1313296	ELEVATING NUT	231	1310158	M5 X 45MM CHEESE HD SCREW
167	904-01-010-1620	FLAT WASHER			
168	1313297	ELEVATING LINK			
169	1313293	MOTOR BRACKET, INCL:			



Ref.	No.	Part No.	Description
*		904400	STAND ASSY, CONST OF:, T2
		1348733	STAND ASSY, CONST OF:, T1
	350	1243398	M8 HEX NUT
	351	904-01-010-1606	3/8" FLAT WASHER
	352	1349177	M8 X 16MM CARRIAGE HD SCREW
	353	904-01-010-1606	3/8" FLAT WASHER
	354	1310105	M8 X 16MM HEX HD SCREW
	355	n 902941	BRACKET
	356	904-01-010-1605	3/8" FLAT WASHER
	357	1243398	M8 HEX NUT
	358	902903	BRACKET, T2
		1348735	BRACKET, T1
	359	902901	BRACKET, T2
		1348736	BRACKET, T1
	360	902902	BRACKET, T2
		1348737	BRACKET, T1
	361	n 904805	LEG, T2
		1348738	LEG, T1
	362	427-99-048-0001	PLASTIC FOOT
*			NOT SHOWN ASSEMBLED

STANDARD SAFETY EQUIPMENT

In order to promote tool safety, Delta Machinery strictly enforces the policy of repairing or replacing any damaged or missing standard safety equipment on machines presented to Delta Authorized Service Centers for service/repairs. Any product that is presented to a Delta Authorized Service Centers for repairs which contains missing or damaged standard safety equipment will have that equipment repaired or replaced and the customer will be charged for any such service/repairs. Customers can avoid such charges only if the missing safety component is supplied to the service center at the time of repair.

This parts list is provided to aid in obtaining service parts. Copies of the instruction and maintenance literature can be obtained through the Delta Technical Publications Department or through your service outlet.