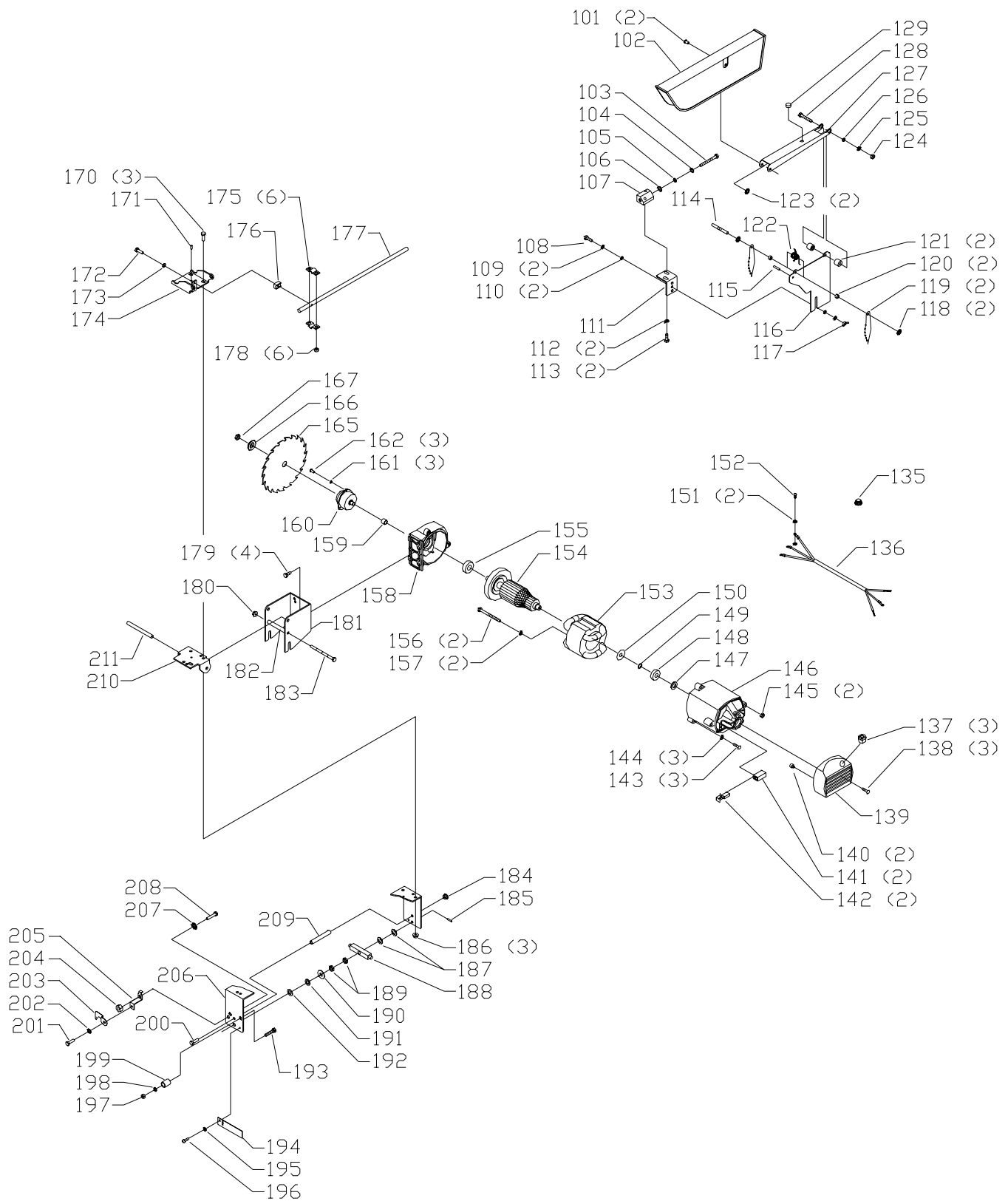


# REPLACEMENT PARTS

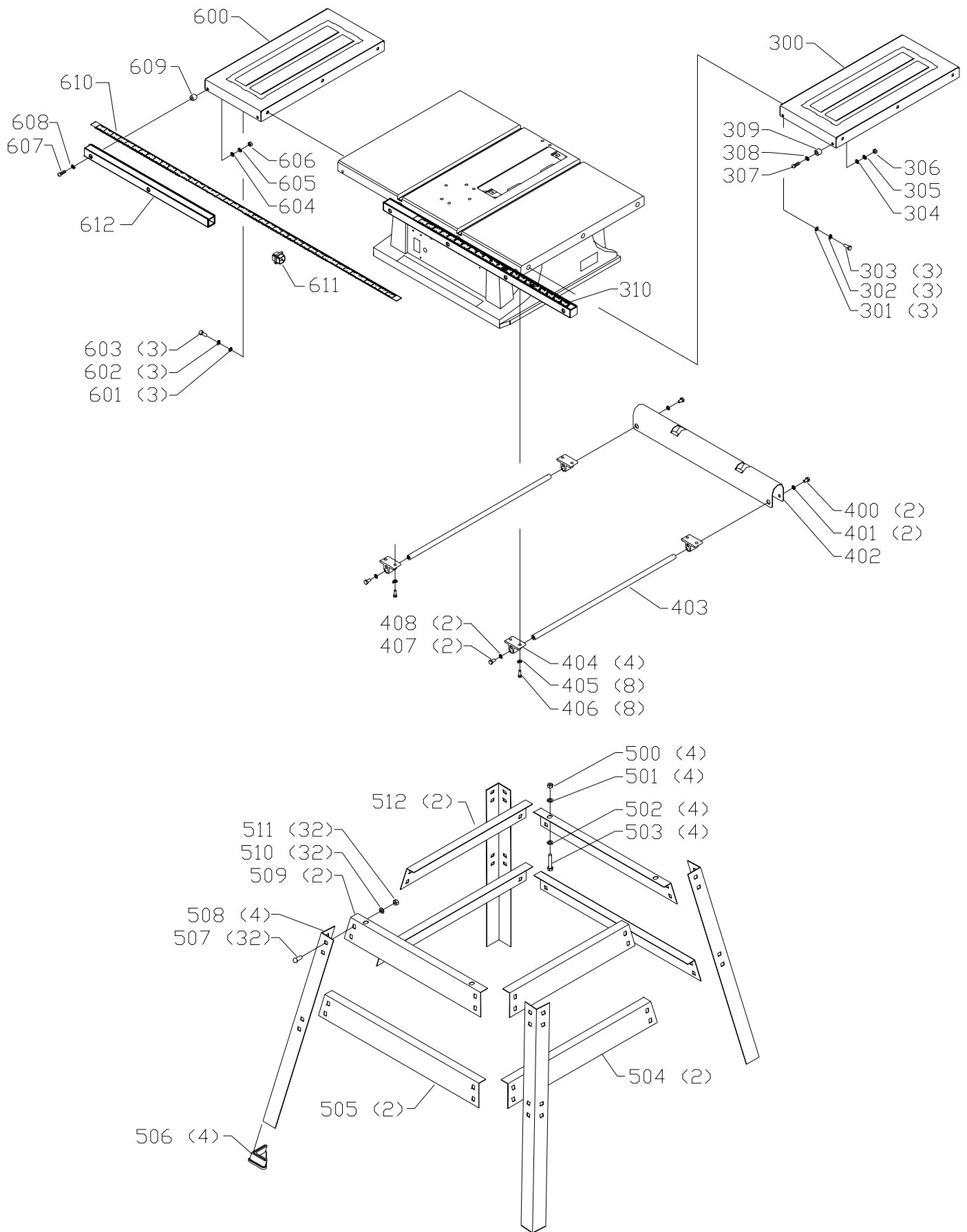
Ref.			Ref.		
<u>No.</u>	<u>Part No.</u>	<u>Description</u>	<u>No.</u>	<u>Part No.</u>	<u>Description</u>
*	1345096	FENCE ASSY, CONST OF:	48	1345102	TABLE
1	1345097	FENCE	49	36-516	TABLE INSERT, INCL:
2	1346726	GLIDE	50	1341235	M4 X 12MM CHEESE HD SCREW
3	1246013	M6 X 12MM HEX HD SCREW	51	1349836	M3 RUBBER WASHER
4	904-03-030-1757	1/4" EXT TOOTH WASHER	52	1343218	FT HD SCREW
5	1310159	M4 X 6MM PAN HD SCREW	53	1345699	1-1/4"ARBOR WRENCH
6	1345098	POINTER	54	1313197	WRENCH
7	1345099	HANDLE	55	1345794	JUMPER WIRE
8	1243398	M8 HEX NUT	56	1345795	POWER CORD
9	1346703	CAM	57	1342438	M4 X 16MM FLAT HD SCREW
10	1346704	ADJ SCREW	58	1310210	M4.3 EXT TOOTH WASHER
11	1346705	PIN	59	1243569	M4 HEX NUT
12	1346706	PIN	60	1345110	BASE, INCL:
13	1345100	FENCE BODY	61	1345746	WARNING LABEL
14	1346708	SPRING	62	1345686	BASE PLATE
15	1243501	M4 X 10MM CHEESE HD SCREW	63	1345696	RUBBER FOOT
16	1346710	SPRING PLATE	64	1313229	BREAKER SWITCH W/PLATE, INCL:
17	1346709	PLATE	65	1343360	7/16" INT TOOTH WASHER
18	1246140	M6.4 FLAT WASHER	66	1313228	NUT
19	1345675	SPRING	67	1345697	SWITCH COVER
20	1346711	REAR CLAMP	68	1345695	CORD CLAMP
21	1345101	LOCK ROD	69	1342444	M4 X 16MM CHEESE HD SCREW
*	1346721	MITER GAGE ASSY, CONST OF:	70	1344600	SWITCH
25	1345665	KNOB	71	422-39-067-0001	SWITCH ACTUATOR
26	904-01-010-1603	1/4" FLAT WASHER	72	1343051	M4.2 X 20MM PAN HD SCREW
27	904-07-010-5555	1/4" FIBER WASHER	73	1345108	SWITCH BRACKET
28	1345666	BODY	74	1346718	SCREW ROD
29	902-01-120-1216	#10-24 HEX NUT	75	1346719	HANDWHEEL
30	901-02-010-0541	#10-24 X 3/4" ROUND HD SCREW	76	1342035	M6 X 12MM FLAT HD SCREW
31	1346722	GUIDE BAR	77	1346720	HANDLE
32	1345671	PIN	78	1343361	M6 X 60MM CHEESE HD SCREW
33	1343204	FT HD SCREW	79	1346717	LEVER ASSY
34	1345667	STUD	80	904-01-010-1603	1/4" FLAT WASHER
35	1345735	PIN	81	904-07-010-5555	1/4" FIBER WASHER
36	1320187	#10-24 X 1/4" PAN HD SCREW	82	1345796	NAMEPLATE
37	904-01-010-1620	FLAT WASHER	83	1330398	M4 X 12MM FLAT HD SCREW
38	1345669	POINTER	84	1345436	GEAR PLATE
39	1345670	GUIDE BLOCK	85	1345694	SLEEVE
40	1345104	RAIL, INCL:	86	1343362	M4 X 8MM FLAT HD SCREW
41	1345103	SCALE	87	1243569	M4 HEX NUT
42	901-02-010-0535	1/4-20 X 1 1/4" ROUND HD SCREW	88	1346725	BLOCK
43	904-02-020-2093	1/4" LOCK WASHER	89	1346724	SPRING CLIP
44	1345105	END PLUG	90	1310210	M4.3 EXT TOOTH WASHER
45	1345106	SPACER	91	1243501	M4 X 10MM CHEESE HD SCREW
46	901-02-010-0513	1/4-20 X 1 1/2" ROUND HD SCR(NOTE A)	92	1341104	M6 X 20MM CHEESE HD SCREW
47	901-02-010-0501	1/4-20 X 1" ROUND HD SCR (NOTE A)	93	1246140	M6.4 FLAT WASHER
			94	1343545	M4.1 FLAT WASHER
			95	1340406	M4.2 X 10MM PAN HD SCREW
			96	1345742	M6 X 20MM HEX FLANGE SCREW

\* NOT SHOWN ASSEMBLED



# REPLACEMENT PARTS

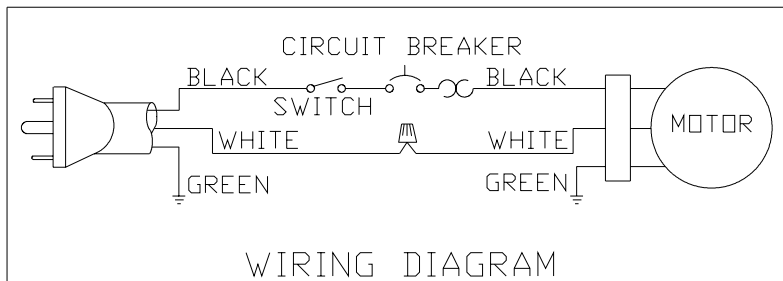
Ref.			Ref.		
<u>No.</u>	<u>Part No.</u>	<u>Description</u>	<u>No.</u>	<u>Part No.</u>	<u>Description</u>
*	1345440	GUARD ASSY, CONST OF:	155	400-08-139-0008	BALL BEARING
101	1345655	RIVET	156	1345793	M5 X 80MM HEX HD SCREW
102	1345652	GUARD	157	1343538	M5.1 LOCK WASHER
103	901-01-060-5768	1/4-20 X 2 1/2" HEX HD SCREW	158	1345785	GEAR HOUSING
104	904-03-020-1764	1/4" INT TOOTH WASHER	159	1345711	NEEDLE BEARING
105	904-03-030-1757	1/4" EXT TOOTH WASHER	160	1345786	JACKSHAFT ASSY
106	904-01-071-5744	FLAT WASHER	161	1243525	M4.1 LOCK WASHER
107	1345663	BRACKET	162	1341235	M4 X 12MM CHEESE HD SCREW
108	1246015	M6 X 20MM HEX HD SCREW	165	OPTIONAL	BLADE
109	904-03-030-1757	1/4" EXT TOOTH WASHER	166	422-04-103-5009	FLANGE
110	1310062	M6.4 FLAT WASHER	167	1345713	ARBOR NUT
111	1349498	BRACKET	170	1349495	1/4-20 X 3/4" HEX FLANGE SCREW
112	904-03-030-1757	1/4" EXT TOOTH WASHER	171	1342593	M4 X 10MM SPRING PIN
113	901-01-060-0611	1/4-20 X 1/2" HEX HD SCREW	172	901-06-163-1484	#10-24 X 3/4" HEX HD SCREW
114	1345662	PIN	173	1320101	M5.3 EXT TOOTH WASHER
115	1310311	M4 X 22MM SPRING PIN	174	1345717	BRACKET
116	1345441	SPLITTER	175	1345720	STRAP
117	1313281	M6 WING NUT	176	1345718	SADDLE
118	1345736	CLIP	177	1345719	PIVOT ROD
119	1345657	FINGER	178	1345715	1/4-20 FLANGE NUT
120	1345660	SPACER	179	1346723	M6 X 16MM HEX FLANGE SCREW
121	1345658	SPACER	180	1345715	1/4-20 FLANGE NUT
122	1345659	SPRING	181	1345787	BRACKET
123	1345656	CLIP	182	1345725	SPACER
124	902-01-120-1034	1/4-20 HEX NUT	183	901-01-060-9596	1/4-20 X 3 1/4" HEX HD SCREW
125	904-03-030-1757	1/4" EXT TOOTH WASHER	184	1345715	1/4-20 FLANGE NUT
126	904-01-021-3590	1/4" WASHER	185	1246119	M3 X 16MM SPRING PIN
127	1345654	SUPPORT	186	1345715	1/4-20 FLANGE NUT
128	901-01-060-3124	1/4-20 X 1 1/2" HEX HD SCREW	187	904-01-031-2934	1/4" FLAT WASHER
129	1345653	BUMPER	188	1345724	BLOCK
*	1345442	MOTOR ASSY, CONST OF:	188A	898914	WASHER
135	438-01-007-0042	WIRE NUT	189	902-01-020-5433	3/8-16 JAM NUT
136	1345443	MOTOR CORD W/TERMINALS	190	904-01-031-7706	3/8" FLAT WASHER
137	1345444	STRAIN RELIEF	191	1343275	M10.5 WAVE WASHER
138	1341235	M4 X 12MM CHEESE HD SCREW	192	904-01-031-2933	3/8" FIBER WASHER
139	1345445	END CAP	193	901-11-020-0826	1/4-20 X 1 1/2" CARRIAGE HD SCREW
140	1343271	PAD	194	1345727	PLATE
141	n 1345704	BRUSH HOLDER	195	1320101	M5.3 EXT TOOTH WASHER
142	1342955	BRUSH	196	901-06-143-1757	#10-24 X 3/8" PAN HD SCREW
143	1349499	M5 X 30MM BUTTON HD SCREW	197	904-01-010-1603	1/4" FLAT WASHER
144	1320101	M5.3 EXT TOOTH WASHER	198	902-01-120-1034	1/4-20 HEX NUT
145	1343504	M5 LOCK NUT	199	1345716	SPACER
146	1345446	MOTOR HOUSING	200	901-01-060-9596	1/4-20 X 3 1/4" HEX HD SCREW
147	1345707	WAVE WASHER	201	1320187	#10-24 X 1/4" PAN HD SCREW
148	920-08-020-5352	BALL BEARING	202	1320101	M5.3 EXT TOOTH WASHER
149	1348661	SPECIAL WASHER	203	1345732	POINTER
150	1348660	SPECIAL WASHER	204	902-01-010-1300	5/16-18 HEX NUT
151	1310210	M4.3 EXT TOOTH WASHER	205	1345731	BRACKET
152	1310159	M4 X 6MM PAN HD SCREW	206	1345723	BRACKET
153	1345449	FIELD	207	904-03-030-1656	5/16" EXT TOOTH WASHER
154	1345450	ARMATURE	208	901-01-060-0606	5/16-18 X 5/8" HEX HD SCREW
			209	1345726	SPACER
			210	1345722	MOUNTING PLATE
			211	1343251	ROLL PIN
			*	NOT SHOWN ASSEMBLED	



# REPLACEMENT PARTS

Ref. No.	Part No.	Description	Ref. No.	Part No.	Description
*	34-852	RIGHT HAND EXT. WING KIT, CONST OF:	408	904-01-010-1603	1/4" FLAT WASHER
300	1345788	EXTENSION WING	*	36-519	STAND ASSY, CONST OF:
301	904-01-031-5652	1/4" FLAT WASHER	500	1243398	M8 HEX NUT
302	904-02-010-1716	1/4" LOCK WASHER	501	904-01-010-1605	3/8" FLAT WASHER
303	901-01-060-0612	1/4-20 X 5/8" HEX HD SCREW	502	904-01-010-1605	3/8" FLAT WASHER
304	904-01-031-5652	1/4" FLAT WASHER	503	1246079	M8 X 40MM HEX HD SCREW
305	904-02-010-1716	1/4" LOCK WASHER	504	1343287	BRACKET
306	902-01-120-1034	1/4-20 HEX NUT	505	1343298	BRACKET
307	901-02-010-0535	1/4-20 X 1 1/4" ROUND HD SCREW	506	1342381	PLASTIC FOOT
308	904-02-010-1716	1/4" LOCK WASHER	507	1313325	M8 X 20MM CARRIAGE HD SCREW
309	1345106	SPACER	508	1343286	LEG
310	1345789	SCALE (LONG)	509	1343285	BRACKET
*	34-854	OUTFEED KIT ASSY, CONST OF:	510	904-01-010-1605	3/8" FLAT WASHER
400	901-01-060-0611	1/4-20 X 1/2" HEX HD SCREW	511	1243398	M8 HEX NUT
401	904-01-071-5744	FLAT WASHER	512	1343284	BRACKET
402	1345439	REAR SUPPORT	*	34-853	LEFT HAND EXTENSION WING KIT, CONST
403	1345438	ROD	600	1345788	EXTENSION WING
404	1345437	BRACKET	601	904-01-031-5652	1/4" FLAT WASHER
405	1243520	M6.1 LOCK WASHER	602	904-02-010-1716	1/4" LOCK WASHER
406	1246014	M6 X 15MM HEX HD SCREW	603	901-01-060-0612	1/4-20 X 5/8" HEX HD SCREW
407	901-01-060-0611	1/4-20 X 1/2" HEX HD SCREW	604	904-01-031-5652	1/4" FLAT WASHER
			605	904-02-010-1716	1/4" LOCK WASHER
			606	902-01-120-1034	1/4-20 HEX NUT
			607	901-02-010-0535	1/4-20 X 1 1/4" ROUND HD SCREW
			608	904-02-020-2093	1/4" LOCK WASHER
			609	1345106	SPACER
			610	1345790	SCALE (EXTRA LONG)
			611	1345791	CONNECTOR
			612	1345792	RAIL (SHORT)

\* NOT SHOWN ASSEMBLED



## STANDARD SAFETY EQUIPMENT

In order to promote tool safety, Delta Machinery strictly enforces the policy of repairing or replacing any damaged or missing standard safety equipment on machines presented to Delta Authorized Service Centers for service/repairs. Any product which is presented to a Delta Authorized Service Centers for repairs which contains missing or damaged standard safety equipment will have that equipment repaired or replaced and the customer will be charged for any such service/repairs. Customers can avoid such charges only if the missing safety component is supplied to the service center at the time of repair.

*This parts list is provided to aid in obtaining service parts. Copies of the instruction and maintenance literature can be obtained through the Delta Technical Publications Department or through your service outlet.*