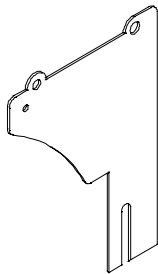
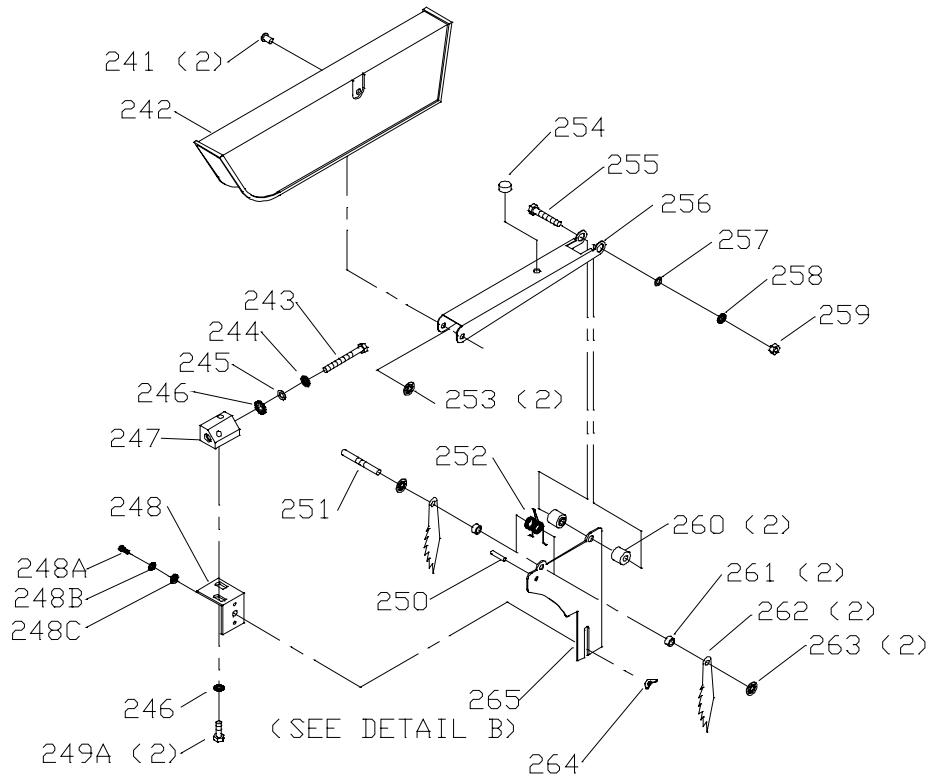


REPLACEMENT PARTS

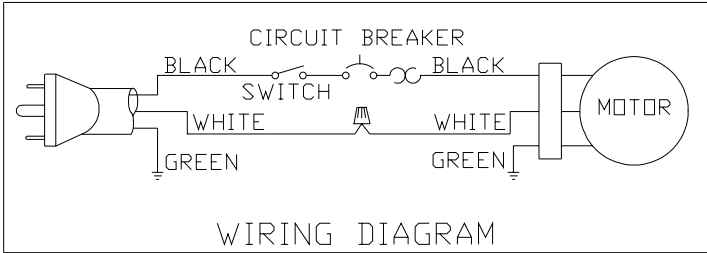
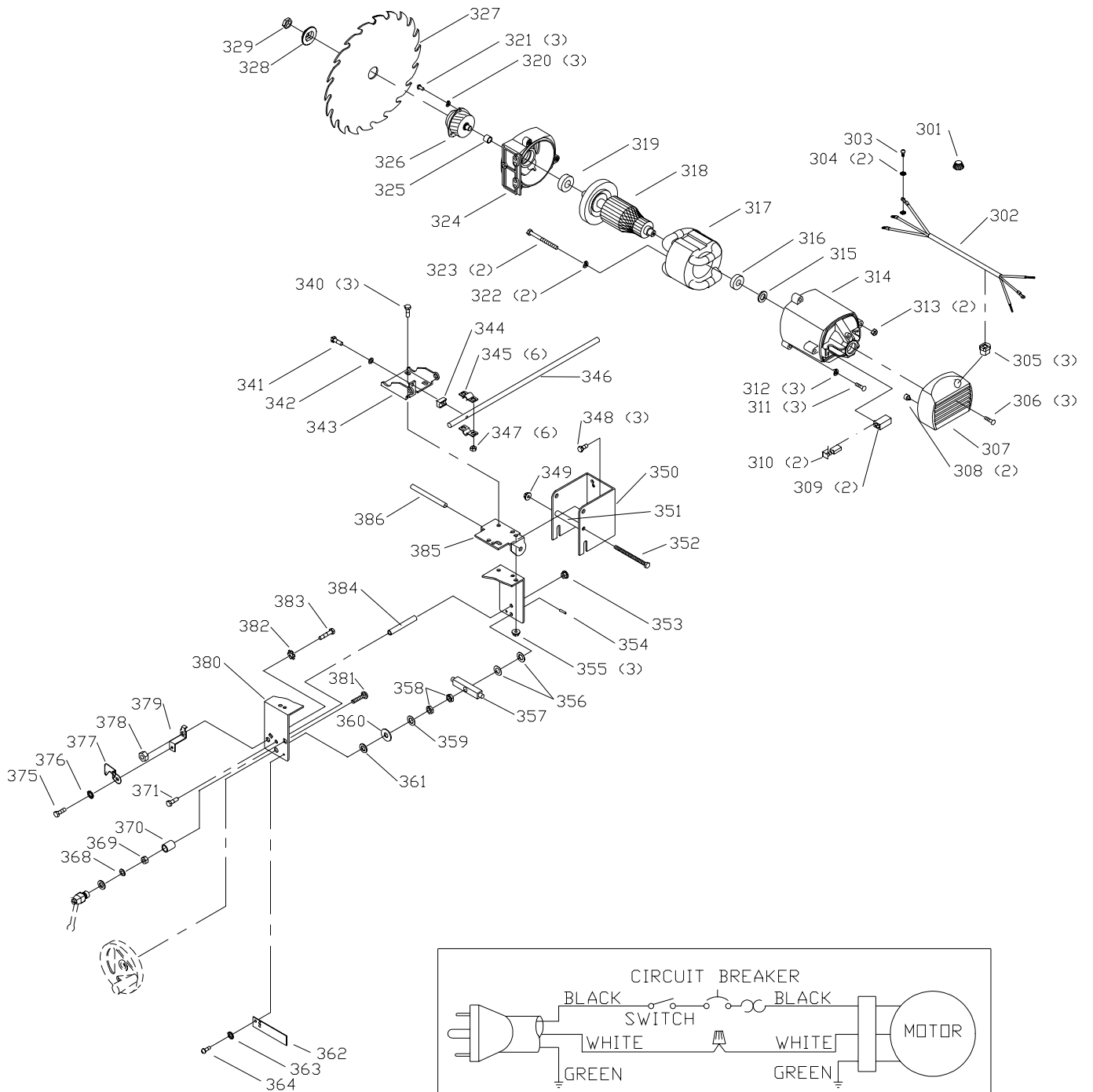
Ref.			Ref.		
<u>No.</u>	<u>Part No.</u>	<u>Description</u>	<u>No.</u>	<u>Part No.</u>	<u>Description</u>
*	1346701	FENCE ASSY, CONST OF;	87	1243501	M4 X 10MM CHEESE HD SCREW
1	899956	FENCE	88	904-01-010-1602	3/16" FLAT WASHER
2	1246013	M6 X 12MM HEX HEAD SCREW	89	1346724	SPRING CLIP
3	1313361	6.4MM SERRATED WASHER	90	1346725	BLOCK
4	1310159	M4 X 6MM PAN HEAD SCREW	91	1243569	M4 HEX NUT
5	1345678	POINTER	92	1246140	6.4MM FLAT WASHER
6	1246118	M3 X 24MM SPRING PIN	93	1346716	M6 X 25MM PAN HD SCREW
7	1342685	HANDLE	94	904-01-010-1602	3/16" FLAT WASHER
8	1243398	M8 HEX NUT	95	1340406	M4 X 10MM PAN HEAD SCREW
9	1346703	CAM	96	1343223	FLAT HD SCREW
10	1346704	ADJ SCREW	97	1345694	SLEEVE
11	1346706	PIN	98	1330398	M4 X 12MM FLAT HEAD SCREW
12	1346705	PIN	99	900055	NAMEPLATE
13	899958	FENCE BODY	100	1343526	M4 X 15MM SELF TAP SCREW
14	1346708	SPRING	101	904-07-010-5555	1/4" FIBER WASHER
15	1243501	M4 X 10MM CHEESE HD SCREW	102	904-01-010-1603	1/4" FLAT WASHER
16	1346710	SPRING PLATE	103	899960	LEVER ASSY
17	1346709	PLATE	104	1346718	SCREW ROD
18	1345675	SPRING	105	1346719	HAND WHEEL
19	1346711	REAR CLAMP	106	1342035	M6 X 12MM FLAT HEAD SCREW
20	1346726	GLIDE	107	899961	HANDLE
21	1346712	LOCK ROD	108	1310153	M6 X 55MM CHEESE HD SCREW
51	1349836	RUBBER WASHER	109	1343759	SWITCH, INCL:
54	900060	TABLE INSERT	110	n 1343758	SWITCH KEY
55	1340406	M4 X 10MM PAN HEAD SCREW	111	1343233	BREAKER W/PLATE INCL;
56	1345682	SPEED NUT	112	904-03-020-1773	1/2" LOCK INT. WASHER
57	1343218	FLAT HD SCREW	113	1313228	NUT
60	900061	TABLE, INCL;	114	1343526	M4 X 15MM SELF TAP SCREW
61	901-02-010-0535	1/4-20 X 1 1/4" ROUND HD SCREW	115	1345695	CORD CLAMP
62	901-02-010-0513	1/4-20 X 1 1/2" ROUND HEAD SCREW	116	1345697	COVER
63	1349745	WARNING LABEL	117	1345696	RUBBER FOOT
64	899970	SCALE	118	899962	BASE
*	1346721	MITER GAGE ASSY, CONST OF;	119	1346715	M6 X 25MM HEX FLANGE SCREW
70	1345665	KNOB	120	1345686	BASE PLATE
71	904-01-010-1603	1/4" FLAT WASHER	121	899968	WARNING LABEL
73	1345666	BODY	130	1345699	WRENCH
74	902-01-120-1216	#10-24 HEX NUT	131	1313197	ARBOR WRENCH
78	1320187	#10-24 X 1/4" PAN HEAD SCREW	132	1246117	M4 X 10MM FLAT HEAD SCREW
80	1345669	POINTER	133	1310210	4MM LOCK WASHER
82	1346722	GUIDE BAR	134	1243569	M4 HEX NUT
			135	1345740	JUMPER WIRE
			136	1345698	POWER CORD
			137	1348257	WARNING LABEL
			*		NOT SHOWN ASSEMBLED



DETAIL B
OPEN SLOT

Ref. No.	Part No.	Description
*	1349496	GUARD ASSY (CMO SN9602 & HIGHER)
241	1345655	RIVET
242	1345652	GUARD
243	901-01-060-5768	1/4-20 X 2 1/2" HEX HD SCREW
244	904-03-020-1764	1/4" INT TOOTH WASHER
245	904-01-010-1603	1/4" FLAT WASHER
246	904-03-013-1492	1/4" LOCK WASHER
247	1345663	BRACKET
248	1349498	BRACKET
248A	1246015	M6 X 20MM HEX HD SCREW
248B	904-03-030-1757	1/4" EXT TOOTH WASHER
248C	1310062	M6.4 FLAT WASHER
249	904-03-013-1492	1/4" LOCK WASHER
249A	901-01-060-0611	1/4-20 X 1/2" HEX HD SCREW
250	1310311	M4 X 22MM SPRING PIN
251	1345662	X PIN
252	1345659	SPRING
253	1345656	CLIP
254	1345653	BUMPER
255	901-01-060-3124	1/4-20 X 1 1/2" HEX HD SCREW
256	1345654	SUPPORT
257	904-01-021-3590	1/4" WASHER
258	904-03-013-1492	1/4" LOCK WASHER
259	902-01-120-1034	1/4-20 HEX NUT
260	1345658	SPACER
261	1345660	SPACER
262	1345657	FINGER
263	1345736	CLIP
264	1313281	M6 WING NUT
265	1349497	SPLITTER

* NOT SHOWN ASSEMBLED

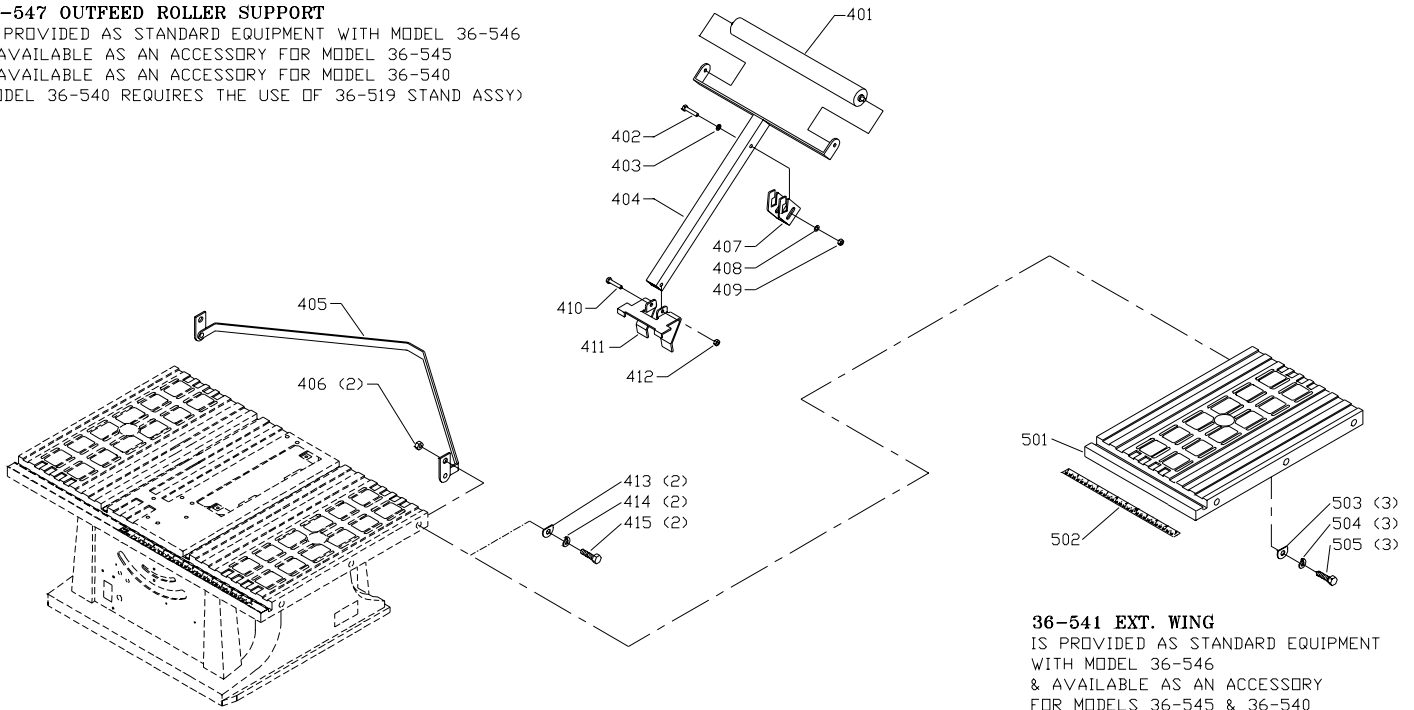


REPLACEMENT PARTS

<u>Ref.</u>	<u>Part No.</u>	<u>Description</u>	<u>Ref.</u>	<u>Part No.</u>	<u>Description</u>
*	1345700	MOTOR ASSEMBLY, CONST OF;	346	1345719	PIVOT ROD
301	438-01-007-0042	WIRE NUT	347	1345715	1/4-20 FLANGE NUT
302	1345701	MOTOR CORD	348	1346723	M6 X 16MM HEX FLANGE SCREW
303	1310159	M4 X 6MM PAN HEAD SCREW	349	1345715	1/4-20 FLANGE NUT
304	1310210	4MM LOCK WASHER	350	1345714	BRACKET
305	438-01-004-0062	BUSHING	351	1345725	SPACER
306	1341235	M4 X 12MM CHEESE HD SCREW	352	901-01-060-9596	1/4-20 X 3 1/4" HEX HEAD SCREW
307	1345703	END CAP	353	1345715	1/4-20 FLANGE NUT
308	1345702	PAD	354	1246119	M3 X 16MM SPRING PIN
309	1345704	BRUSH HOUSING	355	1345715	1/4-20 FLANGE NUT
310	1345705	BRUSH	356	904-01-031-2934	1/4" FLAT WASHER
311	1310146	M5 X 30MM PAN HEAD SCREW	357	1345724	BLOCK
312	1320101	5.3MM STAR WASHER	358	902-01-020-5433	3/8-16 HEX JAM NUT
313	1343504	M5 LOCK NUT	359	904-01-031-2933	3/8" FLAT FIBER WASHER
314	1345706	MOTOR HOUSING	360	904-01-031-7706	3/8" FLAT WASHER
315	1345707	WAVY WASHER	361	1343275	10.5MM WAVE WASHER
316	920-08-020-5352	BALL BEARING	362	1345727	PLATE
317	1345708	FIELD	363	904-03-030-1760	LOCK WASHER
318	1345709	ARMATURE	364	901-20-241-6107	#10-32 X 3/8" HEX HEAD SCREW
319	400-08-139-0008	BEARING	368	904-01-010-1603	1/4" FLAT WASHER
320	1243525	4.1MM LOCK WASHER	369	902-01-120-1034	1/4-20 HEX NUT
321	1341235	M4 X 12MM CHEESE HD SCREW	370	1345716	SPACER
322	1320101	5.3MM STAR WASHER	371	901-01-060-9596	1/4-20 X 3 1/4" HEX HEAD SCREW
323	1341770	M5 X 72MM PAN HEAD SCREW	375	901-02-140-3712	#10-24 X 3/8" BIND HEAD SCREW
324	1345710	GEAR HOUSING	376	904-03-030-1760	LOCK WASHER
325	1345711	BEARING	377	1345732	POINTER
326	1345712	JACKSHAFT ASSEMBLY	378	902-01-010-1300	5/16-18 HEX NUT
327	OPTIONAL	10" SAW BLADE	379	1345731	BRACKET
328	422-04-103-5009	FLANGE	380	1345723	BRACKET
329	1345713	ARBOR NUT	381	901-11-020-0819	1/4-20 X 1 1/4" CARRIAGE SCREW
340	1349495	1/4-20 X 3/4" HEX FLANGE SCREW	382	904-03-050-1752	LOCK INT. WASHER
341	901-06-163-1484	#10-24 X 3/4" HEX HEAD SCREW	383	901-01-060-0629	5/16-18 X 3/8" HEX HEAD SCREW
342	904-03-030-1760	LOCK WASHER	384	1345726	SPACER
343	1345717	BRACKET	385	1345722	MOTOR PLATE
344	1345718	SADDLE	386	1343251	ROLL PIN
345	1345720	STRAP			
			*	NOT SHOWN ASSEMBLED	

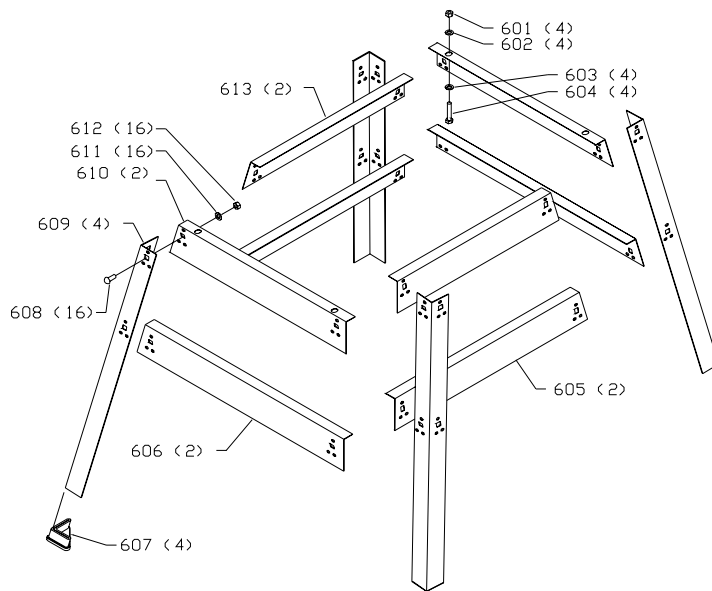
36-547 OUTFEED ROLLER SUPPORT

IS PROVIDED AS STANDARD EQUIPMENT WITH MODEL 36-546
 & AVAILABLE AS AN ACCESSORY FOR MODEL 36-545
 & AVAILABLE AS AN ACCESSORY FOR MODEL 36-540
 (MODEL 36-540 REQUIRES THE USE OF 36-519 STAND ASSY)



36-541 EXT. WING
 IS PROVIDED AS STANDARD EQUIPMENT
 WITH MODEL 36-546
 & AVAILABLE AS AN ACCESSORY
 FOR MODELS 36-545 & 36-540

STAND FOR MODEL 36-519 T2



REPLACEMENT PARTS

Ref.	Part No.	Description
*	36-547	OUTFEED ROLLER SUPPORT, CONST OF:
401	1346177	ROLLER SUPPORT
402	1346205	M6 X 45MM HEX HD SCREW
403	1246140	M6.4 FLAT WASHER
404	1346210	ROLLER SUPPORT
405	1346206	LATCH ASSY
406	1343419	3/8-16 HEX NUT
407	1346211	BRACKET
408	1246140	M6.4 FLAT WASHER
409	1343642	M6 LOCK NUT
410	1246128	M6 X 40MM HEX HD SCREW
411	1346209	BASE BRACKET
412	1343642	M6 LOCK NUT
413	1346213	SPECIAL WASHER
414	904-02-020-1704	3/8" LOCK WASHER
415	1346212	3/8-16 X 1 1/2" HEX HD SCREW
501	36-541	EXT WING, INCL;
502	1345745	SCALE
503	1346213	SPECIAL WASHER
504	904-02-020-1704	3/8" LOCK WASHER
505	901-01-060-0642	3/8-16 X 1" HEX HEAD SCREW
*	36-519	STAND ASSY, CONST OF:
601	1243398	M8 HEX NUT
602	904-01-010-1605	3/8" FLAT WASHER
603	904-01-010-1605	3/8" FLAT WASHER
604	1246079	M8 X 40MM HEX HD SCREW
605	900364	BRACKET (GRAY, CMO)
606	900365	BRACKET (GRAY, CMO)
607	1342381	PLASTIC FOOT
608	1313325	M8 X 20MM CARRIAGE HD SCREW
609	900366	LEG (24", GRAY, CMO)
610	900367	BRACKET (GRAY, CMO)
611	904-01-010-1605	3/8" FLAT WASHER
612	1243398	M8 HEX NUT
613	900368	BRACKET (GRAY, CMO)
*		NOT SHOWN ASSEMBLED

STANDARD SAFETY EQUIPMENT

In order to promote tool safety, Delta Machinery strictly enforces the policy of repairing or replacing any damaged or missing standard safety equipment on machines presented to Delta Authorized Service Centers for service/repairs. Any product that is presented to a Delta Authorized Service Centers for repairs which contains missing or damaged standard safety equipment will have that equipment repaired or replaced and the customer will be charged for any such service/repairs. Customers can avoid such charges only if the missing safety component is supplied to the service center at the time of repair.

This parts list is provided to aid in obtaining service parts. Copies of the instruction and maintenance literature can be obtained through the Delta Technical Publications Department or through your service outlet.