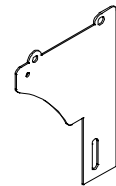
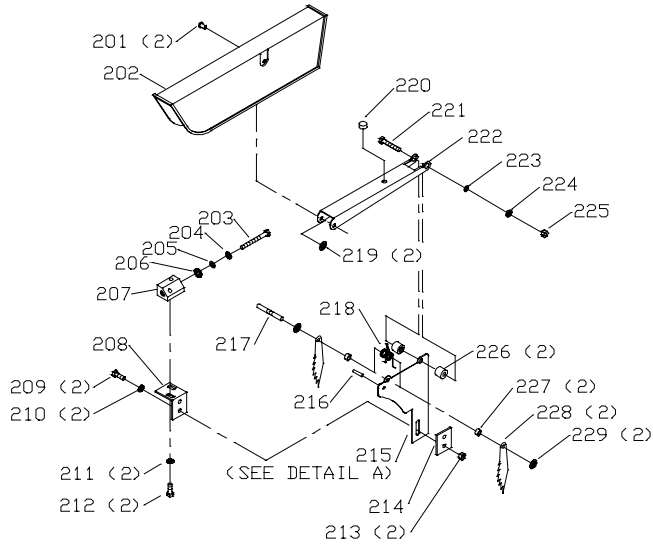


REPLACEMENT PARTS

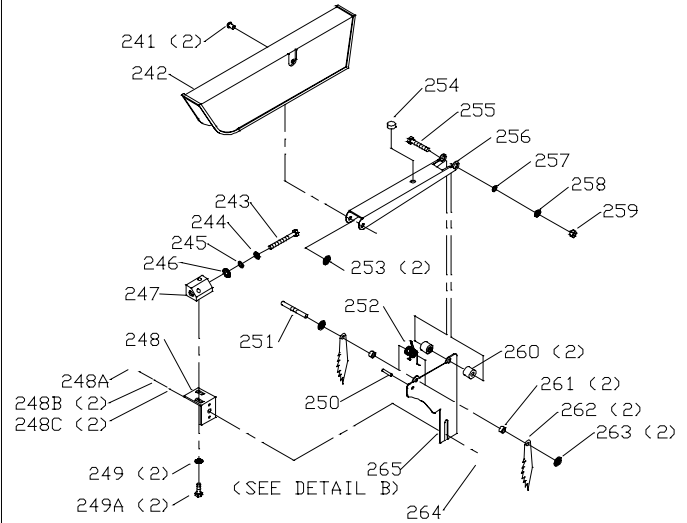
Ref.			Ref.		
<u>No.</u>	<u>Part No.</u>	<u>Description</u>	<u>No.</u>	<u>Part No.</u>	<u>Description</u>
*	1346701	FENCE ASSY, CONST OF;	83	1345671	PIN
1	1346702	FENCE	84	1343204	FLAT HD SCREW
2	1246013	M6 X 12MM HEX HEAD SCREW	87	1243501	M4 X 10MM CHEESE HD SCREW
3	1340376	6.4MM SERRATED WASHER	88	904-01-010-1602	3/16" FLAT WASHER
4	1310159	M4 X 6MM PAN HEAD SCREW	89	1346724	SPRING CLIP
5	1345678	POINTER	90	1346725	BLOCK
6	1246118	M3 X 24MM SPRING PIN	91	1243569	M4 HEX NUT
7	1342685	HANDLE	92	1246140	6.4MM FLAT WASHER
8	1243398	M8 HEX NUT	93	1346716	M6 X 25MM PAN HD SCREW
9	1346703	CAM	94	904-01-010-1602	3/16" FLAT WASHER
10	1346704	ADJ SCREW	95	1340406	M4 X 10MM PAN HEAD SCREW
11	1346705	PIN	96	1343223	FLAT HD SCREW
12	1346706	PIN	97	1345694	SLEEVE
13	1346707	FENCE BODY	98	1330398	M4 X 12MM FLAT HEAD SCREW
14	1346708	SPRING	99	1349744	NAMEPLATE
15	1243501	M4 X 10MM CHEESE HD SCREW	100	1343526	M4 X 15MM SELF TAP SCREW
16	1346710	SPRING PLATE	101	904-07-010-5555	1/4" FIBER WASHER
17	1346709	PLATE	102	904-01-010-1603	1/4" FLAT WASHER
18	1345675	SPRING	103	1346717	LEVER ASSY
19	1346711	REAR CLAMP	104	1346718	SCREW ROD
20	1346726	GLIDE	105	1346719	HAND WHEEL
21	1346712	LOCK ROD	106	1342035	M6 X 12MM FLAT HEAD SCREW
54	36-516	TABLE INSERT, INCL;	107	1346720	HANDLE
55	1340406	M4 X 10MM PAN HEAD SCREW	108	1310153	M6 X 55MM CHEESE HD SCREW
56	1345682	SPEED NUT	109	1343759	SWITCH, INCL:
57	1343218	FLAT HD SCREW	110	400-06-068-0002	SWITCH KEY
60	1346713	TABLE, INCL;	111	1343233	BREAKER W/PLATE INCL;
61	901-02-010-0535	1/4-20 X 1 1/4" ROUND HD SCREW	112	904-03-020-1773	1/2" LOCK INT. WASHER
62	901-02-010-0513	1/4-20 X 1 1/2" ROUND HEAD SCREW	113	1313228	NUT
63	1345734	WARNING LABEL	114	1343526	M4 X 15MM SELF TAP SCREW
64	1345684	SCALE	115	1345695	CORD CLAMP
*	1346721	MITER GAGE ASSY, CONST OF;	116	1345697	COVER
70	1345665	KNOB	117	1345696	RUBBER FOOT
71	904-01-010-1603	1/4" FLAT WASHER	118	1346714	BASE
72	904-07-010-5555	1/4" FIBER WASHER	119	1346715	M6 X 25MM HEX FLANGE SCREW
73	1345666	BODY	120	1345686	BASE PLATE
74	902-01-120-1216	#10-24 HEX NUT	121	1349745	WARNING LABEL
75	901-02-010-0541	#10-24 X 3/4" ROUND HEAD SCREW	130	1345699	WRENCH
76	1345667	STUD	131	1313197	ARBOR WRENCH
77	1345735	PIN	132	1246117	M4 X 10MM FLAT HEAD SCREW
78	1320187	#10-24 X 1/4" PAN HEAD SCREW	133	1310210	4MM LOCK WASHER
79	904-01-010-1609	FLAT WASHER	134	1243569	M4 HEX NUT
80	1345669	POINTER	135	1345740	JUMPER WIRE
81	1345670	GUIDE BLOCK	136	1345698	POWER CORD
82	1346722	GUIDE BAR			
			*	NOT SHOWN ASSEMBLED	

GUARD ASSY, EARLY MODELS ONLY
PRIOR TO SERIAL NUMBER 9602



DETAIL A
CLOSED SLOT

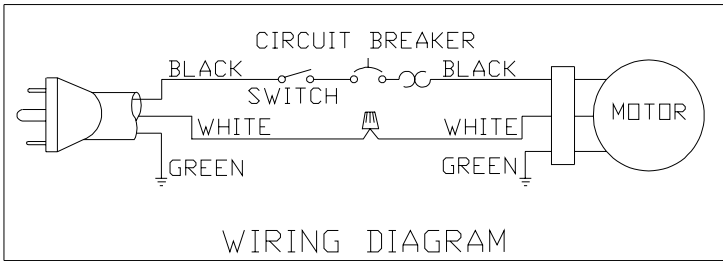
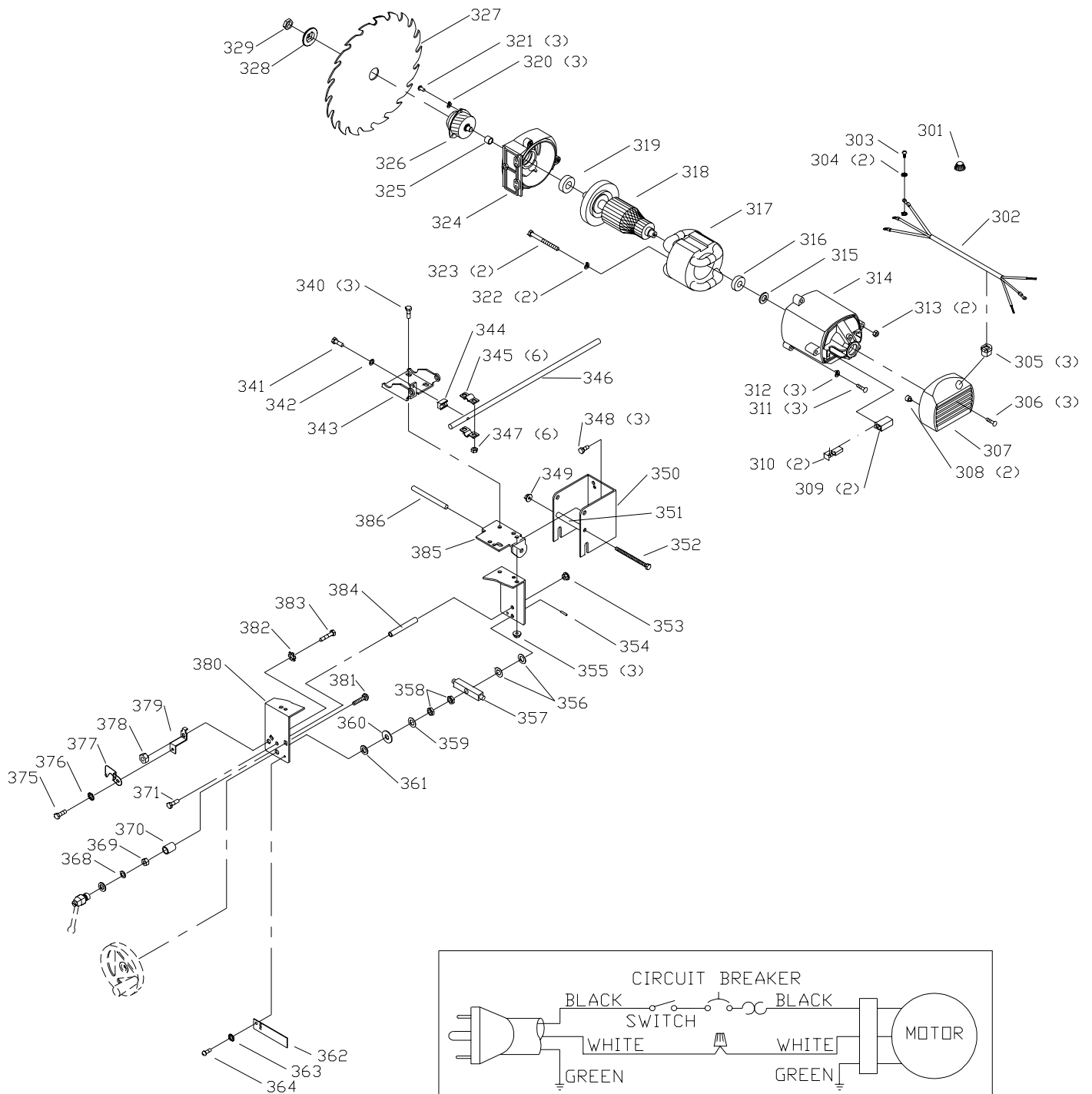
GUARD ASSY, CURRENT MODELS ONLY
SERIAL NUMBER 9602 & HIGHER



DETAIL B
OPEN SLOT

REPLACEMENT PARTS

<u>Ref.</u>	<u>Part No.</u>	<u>Description</u>	<u>Ref.</u>	<u>Part No.</u>	<u>Description</u>
*	1345651	GUARD ASSY (EMO PRIOR TO SN9602)	241	1345655	RIVET
201	1345655	RIVET	242	1345652	GUARD
202	1345652	GUARD	243	901-01-060-5768	1/4-20 X 2 1/2" HEX HD SCREW
203	901-01-060-5768	1/4-20 X 2 1/2" HEX HD SCREW	244	904-03-020-1764	1/4" INT TOOTH WASHER
204	904-03-020-1764	1/4" INT TOOTH WASHER	245	904-01-010-1603	1/4" FLAT WASHER
205	904-01-010-1603	1/4" FLAT WASHER	246	904-03-013-1492	1/4" LOCK WASHER
206	904-03-013-1492	1/4" LOCK WASHER	247	1345663	BRACKET
207	1345663	BRACKET	248	1349498	BRACKET
208	1345738	BRACKET	248A	1246015	M6 X 20MM HEX HD SCREW
209	901-01-060-0611	1/4-20 X 1/2" HEX HD SCREW	248B	904-03-030-1757	1/4" EXT TOOTH WASHER
210	904-03-013-1492	1/4" LOCK WASHER	248C	1310062	M6.4 FLAT WASHER
211	904-03-013-1492	1/4" LOCK WASHER	249	904-03-013-1492	1/4" LOCK WASHER
212	901-01-060-0611	1/4-20 X 1/2" HEX HD SCREW	249A	901-01-060-0611	1/4-20 X 1/2" HEX HD SCREW
213	902-01-120-1034	1/4-20 HEX NUT	250	1310311	M4 X 22MM SPRING PIN
214	1345739	PLATE	251	1345662	X PIN
215	1345661	SPLITTER	252	1345659	SPRING
216	1310311	M4 X 22MM SPRING PIN	253	1345656	CLIP
217	1345662	X PIN	254	1345653	BUMPER
218	1345659	SPRING	255	901-01-060-3124	1/4-20 X 1 1/2" HEX HD SCREW
219	1345656	CLIP	256	1345654	SUPPORT
220	1345653	BUMPER	257	904-01-021-3590	1/4" WASHER
221	901-01-060-3124	1/4-20 X 1 1/2" HEX HD SCREW	258	904-03-013-1492	1/4" LOCK WASHER
222	1345654	SUPPORT	259	902-01-120-1034	1/4-20 HEX NUT
223	904-01-021-3590	1/4" WASHER	260	1345658	SPACER
224	904-03-013-1492	1/4" LOCK WASHER	261	1345660	SPACER
225	902-01-120-1034	1/4-20 HEX NUT	262	1345657	FINGER
226	1345658	SPACER	263	1345736	CLIP
227	1345660	SPACER	264	1313281	M6 WING NUT
228	1345657	FINGER	265	1349497	SPLITTER
229	1345736	CLIP			
*	1349496	GUARD ASSY (CMO SN9602 & HIGHER)	*	NOT SHOWN ASSEMBLED	

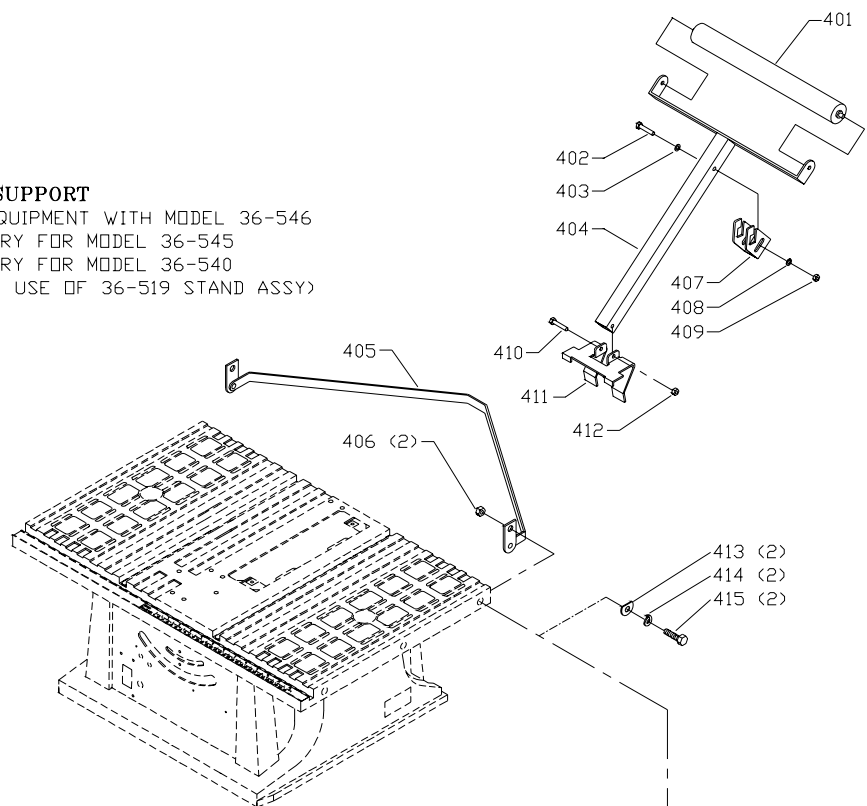


REPLACEMENT PARTS

<u>Ref.</u>	<u>No.</u>	<u>Part No.</u>	<u>Description</u>	<u>Ref.</u>	<u>No.</u>	<u>Part No.</u>	<u>Description</u>
	*	1345700	MOTOR ASSEMBLY, CONST OF;	347	1345715	1/4-20 FLANGE NUT	
301		438-01-007-0042	WIRE NUT	348	1346723	M6 X 16MM HEX FLANGE SCREW	
302		1345701	MOTOR CORD	349	1345715	1/4-20 FLANGE NUT	
303		1310159	M4 X 6MM PAN HEAD SCREW	350	1345714	BRACKET	
304		1310210	4MM LOCK WASHER	351	1345725	SPACER	
305		438-01-004-0062	BUSHING	352	901-01-060-9596	1/4-20 X 3 1/4" HEX HEAD SCREW	
306		1341235	M4 X 12MM CHEESE HD SCREW	353	1345715	1/4-20 FLANGE NUT	
307		1345703	END CAP	354	1246119	M3 X 16MM SPRING PIN	
308		1345702	PAD	355	1345715	1/4-20 FLANGE NUT	
309		1345704	BRUSH HOUSING	356	904-01-031-2934	1/4" FLAT WASHER	
310		1345705	BRUSH	357	1345724	BLOCK	
311		1310146	M5 X 30MM PAN HEAD SCREW	358	902-01-020-5433	3/8-16 HEX JAM NUT	
312		1320101	5.3MM STAR WASHER	359	904-01-031-2933	3/8" FLAT FIBER WASHER	
313		1343504	M5 LOCK NUT	360	904-01-031-7706	3/8" FLAT WASHER	
314		1345706	MOTOR HOUSING	361	1343275	10.5MM WAVE WASHER	
315		1345707	WAVY WASHER	362	1345727	PLATE	
316		920-08-020-5352	BALL BEARING	363	904-03-030-1760	LOCK WASHER	
317		1345708	FIELD	364	901-20-241-6107	#10-32 X 3/8" HEX HEAD SCREW	
318		1345709	ARMATURE	368	904-01-010-1603	1/4" FLAT WASHER	
319		400-08-139-0008	BEARING	369	902-01-120-1034	1/4-20 HEX NUT	
320		1243525	4.1MM LOCK WASHER	370	1345716	SPACER	
321		1341235	M4 X 12MM CHEESE HD SCREW	371	901-01-060-9596	1/4-20 X 3 1/4" HEX HEAD SCREW	
322		1320101	5.3MM STAR WASHER	375	901-02-140-3712	#10-24 X 3/8" BIND HEAD SCREW	
323		1341770	M5 X 72MM PAN HEAD SCREW	376	904-03-030-1760	LOCK WASHER	
324		1345710	GEAR HOUSING	377	1345732	POINTER	
325		1345711	BEARING	378	902-01-010-1300	5/16-18 HEX NUT	
326		1345712	JACKSHAFT ASSEMBLY	379	1345731	BRACKET	
327		OPTIONAL	10" SAW BLADE	380	1345723	BRACKET	
328		422-04-103-5009	FLANGE	381	901-11-020-0819	1/4-20 X 1 1/4" CARRIAGE SCREW	
329		1345713	ARBOR NUT	382	904-03-050-1752	LOCK INT. WASHER	
340		1349495	1/4-20 X 3/4" HEX FLANGE SCREW	383	901-01-060-0629	5/16-18 X 3/8" HEX HEAD SCREW	
341		901-06-163-1484	#10-24 X 3/4" HEX HEAD SCREW	384	1345726	SPACER	
342		904-03-030-1760	LOCK WASHER	385	1345722	MOTOR PLATE	
343		1345717	BRACKET	386	1343251	ROLL PIN	
344		1345718	SADDLE				
345		1345720	STRAP				
346		1345719	PIVOT ROD				
				*		NOT SHOWN ASSEMBLED	

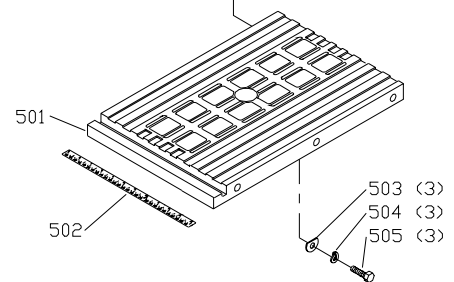
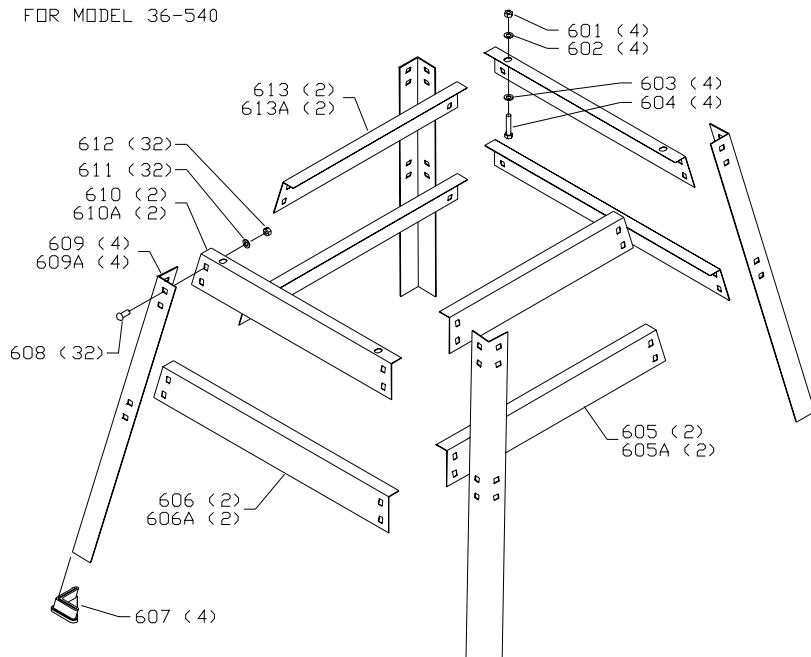
36-547 OUTFEED ROLLER SUPPORT

IS PROVIDED AS STANDARD EQUIPMENT WITH MODEL 36-546
& AVAILABLE AS AN ACCESSORY FOR MODEL 36-545
& AVAILABLE AS AN ACCESSORY FOR MODEL 36-540
(MODEL 36-540 REQUIRES THE USE OF 36-519 STAND ASSY)



36-519 STAND ASSY

IS PROVIDED AS STANDARD EQUIPMENT
WITH MODELS 36-546 & 36-545
& AVAILABLE AS AN ACCESSORY
FOR MODEL 36-540



36-541 EXT. WING

IS PROVIDED AS STANDARD EQUIPMENT
WITH MODEL 36-546
& AVAILABLE AS AN ACCESSORY
FOR MODELS 36-545 & 36-540

REPLACEMENT PARTS

Ref.	Part No.	Description
*	36-547	OUTFEED ROLLER SUPPORT, CONST OF
401	1346177	ROLLER SUPPORT
402	1346205	M6 X 45MM HEX HD SCREW
403	1246140	M6.4 FLAT WASHER
404	1346210	ROLLER SUPPORT
405	1346206	LATCH ASSY
406	1343419	3/8-16 HEX NUT
407	1346211	BRACKET
408	1246140	M6.4 FLAT WASHER
409	1343642	M6 LOCK NUT
410	1246128	M6 X 40MM HEX HD SCREW
411	1346209	BASE BRACKET
412	1343642	M6 LOCK NUT
413	1346213	SPECIAL WASHER
414	904-02-020-1704	3/8" LOCK WASHER
415	1346212	3/8-16 X 1 1/2" HEX HD SCREW
501	36-541	EXT WING, INCL;
502	1345745	SCALE
503	1346213	SPECIAL WASHER
504	904-02-020-1704	3/8" LOCK WASHER
505	901-01-060-0642	3/8-16 X 1" HEX HEAD SCREW
*	36-519	STAND ASSY, CONST OF:
601	1243398	M8 HEX NUT
602	904-01-010-1605	3/8" FLAT WASHER
603	904-01-010-1605	3/8" FLAT WASHER
604	1246079	M8 X 40MM HEX HD SCREW
605	1343287	BRACKET (GRAY, CMO)
605A	1343279	BRACKET (BLACK, EMO)
606	1343298	BRACKET (GRAY, CMO)
606A	1343280	BRACKET (BLACK, EMO)
607	1342381	PLASTIC FOOT
608	1313325	M8 X 20MM CARRIAGE HD SCREW
609	1343286	LEG (24", GRAY, CMO)
609A	1343278	LEG (22", BLACK, EMO)
610	1343285	BRACKET (GRAY, CMO)
610A	1343277	BRACKET (BLACK, EMO)
611	904-01-010-1605	3/8" FLAT WASHER
612	1243398	M8 HEX NUT
613	1343284	BRACKET (GRAY, CMO)
613A	1343276	BRACKET (BLACK, EMO)
*		NOT SHOWN ASSEMBLED
		EMO=EARLY MODELS ONLY
		CMO=CURRENT MODELS