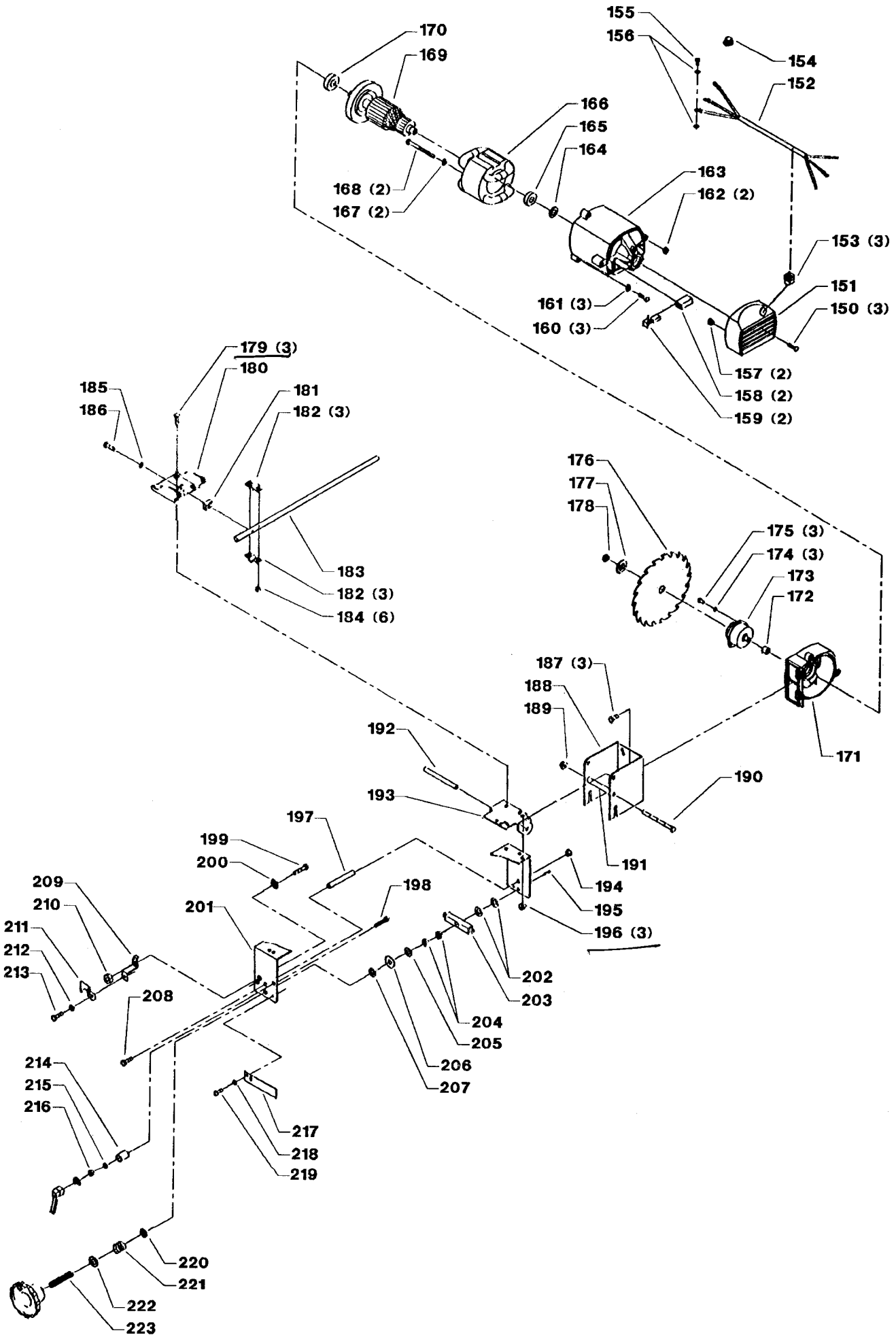


## REPLACEMENT PARTS

Ref. No.	Part No.	Description	Ref. No.	Part No.	Description
*	1345672	Rip Fence Assy, Const. of:	55	1345740	Jumper Lead
1	1345677	Fence	56	1345698	Power Cord
2	1246013	(Din 933) M6 x 12mm Hex Hd Screw	*	1345664	Miter Gage Assy, Const of:
3	1313361	(Din 6797A) M6 Ext Tooth Lockwasher	60	1345665	Knob
4	1310159	(Din 85) M4 x 6mm Pan Hd Screw	61	904-01-010-1603	1/4" Flat Washer
5	1345678	Pointer	62	904-07-010-5555	1/4" Fiber Washer
6	1345741	Fence Body	63	1345666	Miter Gage Body
7	1345680	Rubber Washer	64	902-01-120-1216	#10-24 Hex Nut
8	1310062	M6 Flat Washer	65	901-02-010-0541	#10-24 x 3/4" Rd Hd Screw
9	1345743	Lever Joint Assy, Incl:	66	1345667	Stud
9A	1243398	(Din 934) M8 Hex Nut	67	1345735	Pin
9B	1345744	Handle	68	1320187	#10-24 x 1/4" Pan Hd Screw
10	1345673	Lock Rod	69	904-01-010-1620	#10 Flat Washer
11	1345674	Rear Clamp	70	1345669	Pointer
12	1345675	Spring	71	1345670	Guide Block
13	1345676	Block	72	1345668	Guide Bar
15	36-516	Table Insert, Incl:	73	1345671	Pin
16	1313227	(Din 7513B) M4 x 12mm Pan Screw	74	1343204	#10-24 x 3/8" Flat Hd Screw
17	1345682	Speed Nut	*	1345651	Guard Assy, Const. of:
18	1343218	1/4-20 x 1" Flat Hd Screw	75	1345652	Guard
19	1345683	Table, Incl:	76	1345655	Rivet
20	1345684	Scale	77	1345656	Clip
21	1345734	Warning Label	78	901-01-060-3124	1/4-20 x 1 1/2" Hex Hd Screw
22	901-02-010-0513	1/4-20 x 1 1/2" Rd Hd Screw	79	1345653	Rubber Bumper
23	901-03-010-0760	1/4-20 x 1 1/4" Fill Hd Screw	80	1345654	Support
24	1243520	(Din 7980) M6 Lockwasher	81	904-01-010-1603	1/4" Flat Washer
25	1345742	(90 HFB) M6 x 20mm Hex Flng Hd Screw	82	904-03-013-1492	1/4" Ext Tooth Lockwasher
26	1345686	Base Plate	83	902-01-120-1034	1/4-20 Hex Nut
27	1345687	Gear Plate	84	1345658	Spacer
28	1343223	(Din 963) M3 x 6mm Flat Hd Screw	85	1345659	Spring
29	1345694	Sleeve	86	1310311	(Din 1481) M4 x 22mm Roll Pin
30	1330398	(Din 963) M4 x 12mm Flat Hd Screw	87	1345662	Pin
31	1345688	Nameplate	88	1345660	Spacer
32	1343526	(Din 7981B) M4 x 15mm Pan Hd Screw	89	1345657	Anti Kickback Finger
33	904-07-010-5555	1/4" Fiber Washer	90	1345736	Clip
34	1345689	Tilt Lock Lever	91	1345661	Splitter
35	902-01-120-1034	1/4-20 Hex Nut	92	1345739	Plate
36	1345690	Handle	93	902-01-120-1034	1/4-20 Hex Nut
37	901-02-010-0513	1/4-20 X 1 1/2" Rd Hd Screw	94	901-01-060-5768	1/4-20 x 2 1/4" Hex Hd Screw
38	1345691	Handwheel	95	904-03-020-1764	1/4" Int Tooth Lockwasher
39	1345693	Handwheel Label	96	904-01-010-1603	1/4" Flat Washer
40	1345692	Screw Rod	97	1345663	Splitter Bracket
41	1310311	(Din 1481) M4 x 22mm Roll Pin	99	901-01-060-0611	1/4-20 x 1/2" Hex Hd Screw
42	438-01-017-0140	Switch, Incl:	100	904-03-013-1492	1/4" Ext Tooth Lockwasher
43	400-06-068-0002	Key	101	1345738	Splitter Support Bracket
44	1343233	Breaker Switch w/Plate, Incl:	105	1345699	Wrench
45	1313228	Nut	106	1313197	15/16" Arbor Wrench
46	904-03-020-1773	1/2" Int Tooth Lockwasher			
47	1345695	Cord Clamp	*	Not Shown Assembled	
48	1343526	(Din 7981B) M4 x 15mm Pan Hd Screw	<b>Available As An Accessory</b>		
49	1345697	Switch Cover	108	36-541	Extension Wing, Incl:
50	1345685	Base	109	904-01-031-6202	3/8" Flat Washer
51	1345696	Rubber Foot	110	904-02-020-1704	3/8" Lock Washer
52	1246117	(Din 963) M4 x 10mm Flat Hd Screw	111	901-01-060-0642	3/8" x 1 Hex Hd Screw
53	1310210	(Din 6797) M4 Ext Tooth Lockwasher	112	1345745	Scale
54	1243569	(Din 934) M4 Hex Nut			



## REPLACEMENT PARTS

Ref. Part No. No.	Description	Ref. Part No. No.	Description
* 1345700	Motor Assy, Const of:	188 1345714	Bracket
150 1341235	(Din 84) M4 x 12mm Cheese Hd Screw	189 1345715	1/4-20 Special Nut
151 1345703	End Cap	190 901-01-060-9596	1/4-20 x 3 1/4" Hex Hd Screw
152 1345701	Motor Cord w/Terminals	191 1345725	Spacer
153 438-01-004-0062	Strain Relief	192 1343251	(Din 1481) M8 x 90mm Roll Pin
154 438-01-007-0042	Wire Nut	193 1345722	Mounting Plate
155 1310159	(Din 85) M4 x 6mm Pan Hd Screw	194 1345715	1/4-20 Special Nut
156 1310210	(Din 6797A) M4 Ext Tooth Lockwasher	195 1246119	(Din 1481) M3 x 16mm Roll Pin
157 1345702	Pad	196 1345715	1/4-20 Special Nut
158 1345704	Brush Housing	197 1345726	Spacer
159 1345705	Brush	198 901-11-020-0819	1/4-20 x 1 1/4" Carriage Bolt
160 1310146	(Din 85) M5 x 30mm Pan Hd Screw	199 901-01-060-0629	5/16-18 x 5/8" Hex Hd Screw
161 1320101	(Din 6797A) M5 Ext Tooth Lockwasher	200 904-03-050-1752	5/16" Int Tooth Lockwasher
162 1343504	(Din 985) M5 Lock Nut	201 1345723	Bracket
163 1345706	Motor Housing	202 904-01-031-2934	1/4" Flat Washer
164 1345707	Wavy Washer	203 1345724	Block
165 920-08-020-5352	Bearing	204 902-01-020-5433	3/8-16 Thin Hex Nut
166 1345708	Field	205 904-01-031-2933	Fiber Washer
167 1320101	(Din 6797A) M5 Ext Tooth Lockwasher	206 904-01-031-7706	3/8" Flat Washer
168 1341770	(Din 85) M5 x 72mm Pan Hd Screw	207 1343275	(Din 137A) 10mm Wave Washer
169 1345709	Armature	208 901-01-060-9596	1/4-20 x 3 1/4" Hex Hd Screw
170 400-08-139-0008	Fan End Bearing	209 1345731	Pointer Bracket
171 1345710	Gear Housing	210 902-01-040-1030	5/16-18 Hex Nut
172 1345711	Needle Bearing	211 1345732	Pointer
173 1345712	Jackshaft Assy	212 904-03-030-1760	#10 Ext Tooth Lockwasher
174 1243525	(Din 7980) M4 Lockwasher	213 901-02-140-3712	#10-24 x 3/8" Bind Hd Screw
175 1341235	(Din 84) M4 x 12mm Cheese Hd Screw	214 1345716	Spacer
176	10" Blade	215 902-01-120-1034	1/4-20 Hex Nut
177 422-04-103-5009	Flange	216 904-01-010-1603	1/4" Flat Washer
178 1345713	Arbor Nut	217 1345727	Plate
179 901-01-060-0626	1/4-20 x 3/4" Hex Hd Screw	218 904-03-030-1760	#10 Ext Tooth Lockwasher
180 1345717	Pivot Bracket	219 901-20-241-6107	#10-32 x 3/8" Hex Hd Screw
181 1345718	Saddle	220 904-01-031-7706	3/8" Flat Washer
182 1345720	Strap	221 1345728	Spring
183 1345719	Pivot Rod	222 904-01-010-1607	1/2" Flat Washer
184 1345715	1/4-20 Special Nut	223 1345729	Spring
185 904-03-030-1760	#10 Ext Tooth Lockwasher		
186 901-02-010-0556	#10-32 x 3/4" Rd Hd Screw		
187 1246014	(Din 933) M6 x 16mm Hex Hd Screw		

\* Not Shown Assembled

*In order to promote tool safety, Delta International Machinery Corp. strictly enforces the policy of repairing or replacing any damaged or missing standard safety equipment on machines presented to Delta Authorized Service Centers for service/repair. Any product which is presented to a Delta Authorized Service Center for repairs which contains missing or damaged standard safety equipment will have that equipment repaired or replaced and the customer will be charged for any such service/repairs. Customers can avoid such charges only if the missing safety component is supplied to the service center at the time of repair.*

*This parts list is provided to aid in obtaining service parts. Copies of the instruction and maintenance literature can be obtained through the Delta Technical Publications Department or through your local service outlet.*