

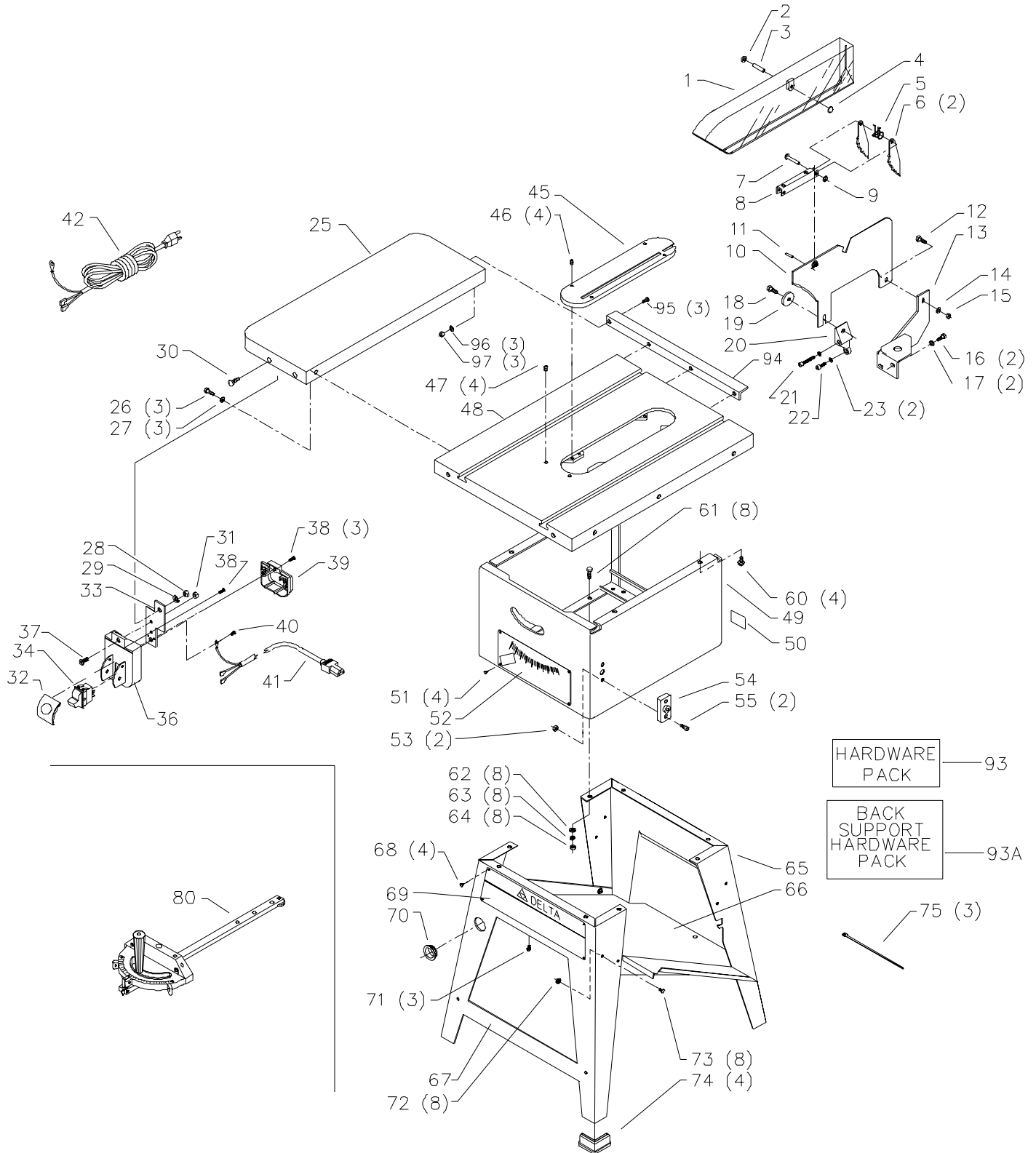


36-441B, 36-451X, 36-505X &  
36-507X  
10" CONTRACTORS SAW

CS-4L-2D

PART NO. 422-19-651-0059

Date: 02-24-04



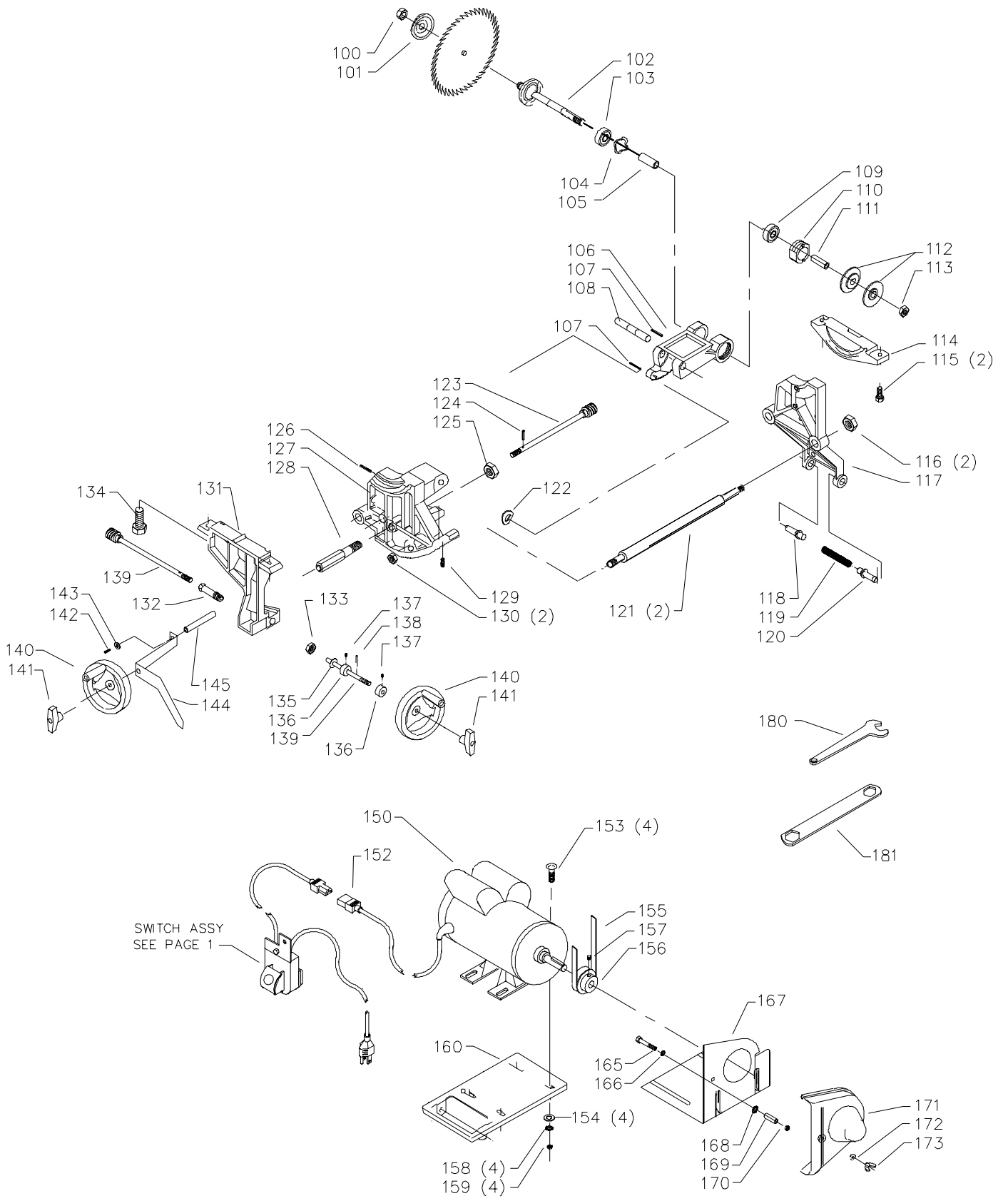
# REPLACEMENT PARTS

Ref.	Part No.	Description	Ref.	Part No.	Description
*	1086935	BLADE GUARD, CONST OF:	53	902-01-503-1514	5/16-18 FLANGE NUT
1	1086334	"THRU" GUARD	54	422-19-089-0007	BRACKET
2	1086388	PUSH NUT CAP	55	901-02-050-0704	5/16-18 X 5/8" FILL HD SCREW
3	1087811	PIN	60	1231355	5/16-18 X 1/2" HEX WASHER HD SCREW
4	1086388	PUSH NUT CAP	61	901-01-060-0606	5/16-18 X 5/8" HEX HD SCREW
5	1086353	SPRING	62	904-01-010-1620	FLAT WASHER
6	422-16-047-0001	KICK BACK FINGER	63	904-02-010-1703	5/16" LOCK WASHER
7	422-04-071-0007	PIN	64	902-01-010-1300	5/16-18 HEX NUT
8	1086337	PIVOT BRACKET	65	436-06-123-0005	LEG PANEL - REAR
9	1086387	PUSH NUT	66	436-06-026-0004	DUST CHUTE
10	422-04-086-0002	SPLITTER W/BUSHING	67	436-06-423-0004	LEG PANEL - FR., INCL:
11	905-01-010-6729	5/32" X 11/16" SPRING PIN	68	1087794	RIVET
12	901-11-023-1476	5/16-18 X 5/8" CARRIAGE HD SCREW	69	422-19-754-0006	NAMEPLATE
13	422-19-089-0003	BRACKET	70	438-01-004-0097	BUSHING
14	904-01-010-1620	FLAT WASHER	71	901-05-213-1498	#10 X 1/2" HEX WASHER HD SCREW
15	902-01-010-1300	5/16-18 HEX NUT	72	902-01-293-1513	#10-32 KEPS NUT
16	901-01-060-0626	1/4-20 X 3/4" HEX HD SCREW	73	901-02-453-1123	#10-32 X 1/2" PAN HD SCREW
17	904-01-010-1614	FLAT WASHER	74	427-99-048-0001	FOOT
18	901-01-060-0649	5/16-18 X 1" HEX HD SCREW	75	438-01-004-0054	CABLE TIE
19	422-03-072-0001	PLATE	80	34-895	MITER GAGE
20	422-04-014-0037	SPLITTER BRACKET	93	422-19-725-0024	HARDWARE PACK
21	901-03-010-0230	1/4-20 X 2" HEX SOC HD SCREW	93A	422-19-725-0027	BACK SUPPORT HARDWARE PACK
22	901-03-010-0755	1/4-20 X 3/4" HEX SOC HD SCREW	94	422-27-089-0014	BRACKET, 36-441B
23	904-01-010-1614	FLAT WASHER	95	n 901-01-060-0642	SCREW, 36-441B
25	36-937	EXT. WING, 36-451X:	96	904-01-010-1615	WASHER, 36-441B
26	901-01-060-0664	7/16-20 X 1" HEX HD SCREW	97	902-01-010-5900	HEX NUT, 36-441B
27	904-10-031-2097	FLAT WASHER			
*	438-01-317-0128	SWITCH KIT ASSY, CONST OF: ( NOTE A)	*	NOT SHOWN ASSEMBLED	
28	902-01-010-1300	5/16 -18 NUT			
29	904-01-010-1620	WASHER			
30	901-03-033-1046	5/16-18 X 1" FLAT HD SCREW ( NOTE A)			
31	902-01-120-1034	3/8-16 JAM NUT ( NOTE A)			
32	422-39-067-0001	SWITCH ACTUATOR			
33	422-19-001-0003	SWITCH PLATE ( NOTE A)			
34	438-01-317-0127	SWITCH			
36	422-39-014-0022	SWITCH BOX COVER			
37	901-05-163-1229	#10-16 X 1/2" PAN HD SCREW			
38	901-05-163-1229	#10-16 X 1/2" PAN HD SCREW			
39	422-39-013-0001	SWITCH BOX			
40	901-05-163-1126	#08-32 X 5/16" PAN HD SCREW			
41	438-01-302-0671	CORD W/FEMALE CONNECTOR ( NOTE B)			
42	438-01-302-0672	CORD SET ( NOTE B)			
45	34-154	TABLE INSERT, INCL:			
46	901-04-461-5297	1/4-28 X 3/8" HEX SOC SET SCREW			
47	901-04-293-1395	5/16-18 X 3/4" HEX SOC SET SCREW			
48	422-35-391-0003	TABLE			
49	422-19-318-0011	CABINET ASSY, INCL:			
50	422-19-754-0005	WARNING LABEL			
51	1087794	RIVET			
52	n 422-19-132-0016	NAMEPLATE 36-451X			
	n 422-19-132-0015	NAMEPLATE, 36-441B			

## SERVICE NOTES:

**A** – Refer to you Fence System owners manual for correct Switch mounting configuration and correct mounting hardware.

**B** – When installing power cords , (Ref. 41 & 42), in to the switch box, take care to ensure that the cords outer insulating jacket passes through the switch box cord clamp area before tightening the switch box assembly screws.



# REPLACEMENT PARTS

Ref. No.	Part No.	Description	Ref. No.	Part No.	Description
100	902-01-200-9848	ARBOR NUT - LH	137	901-04-150-0208	1/4-20 X 1/4" HEX SOC SET SCREW
101	422-04-103-5001	FLANGE	138	905-01-010-2711	1/8" X 5/8" SPRING PIN
102	422-19-303-0002	ARBOR ASSY	139	1087893	TILT SHAFT ASSY, INCL:
103	1086894	BALL BEARING	**	905-01-010-2716	1/8" X 9/16" SPRING PIN
104	928-06-020-7382	LOAD SPRING	140	422-19-400-0002	HANDWHEEL ASSY, 36-451X
106	422-02-014-0017	ARBOR BRACKET		1086491	HANDWHEEL ASSY, 36-441B
107	905-01-010-2710	3/16" X 7/8" SPRING PIN	141	422-19-138-0005	KNOB, 36-451X
108	952-01-101-3267	ARBOR BRACKET SHAFT		422-19-138-0003	KNOB, 36-441B
109	1086894	BALL BEARING	142	901-03-010-3309	1/4-20 X 5/8" HEX SOC HD SCREW
110	902-07-020-7176	BEARING CLOSURE NUT	143	904-01-010-1614	FLAT WASHER
111	422-19-104-0005	SPACER	144	422-19-075-0001	POINTER
112	422-19-130-0001	PULLEY HALF	145	422-19-104-0001	SPACER
113	902-01-020-1226	5/8-18 JAM NUT	150	62-044	MOTOR ASSY, INCL:
114	422-02-014-0010	TRUNNION BRACKET - REAR	152	438-01-302-0661	CORD W/MALE CONNECTOR ( NOTE B)
115	901-02-763-1526	5/16-18 X 7/8" HEX WASHER HD SCREW	153	901-11-020-0834	5/16-18 X 3/4" CARRIAGE HD SCREW
116	902-01-283-1393	5/8-18 LOCK NUT	154	904-01-010-1620	FLAT WASHER
117	422-19-095-0004	REAR TRUNNION	155	49-034	BELT
118	422-19-071-0002	PIN	156	926-01-041-9366	MOTOR PULLEY (2-1/4"OD), INCL:
119	422-19-122-0001	SPRING	157	901-04-150-0206	5/16-18 X 5/16" HEX SOC SET SCREW
120	422-19-071-0002	PIN	158	904-03-030-1656	5/16" EXT TOOTH WASHER
121	422-19-004-0002	TIE BAR	159	902-01-010-1300	5/16-18 HEX NUT
122	928-06-013-1779	11/16" WAVE WASHER	160	422-02-089-0005	MOTOR PLATE
**	905-01-010-2716	1/8" X 9/16" SPRING PIN	*	34-965	BELT & PULLEY GUARD, CONST OF:
123	422-35-406-0001	ELEVATING SHAFT ASSY	165	901-01-060-3124	1/4-20 X 1 1/2" HEX HD SCREW
124	905-01-010-2711	1/8" X 5/8" SPRING PIN	166	904-03-030-1757	1/4" EXT TOOTH WASHER
125	902-01-020-1226	5/8-18 JAM NUT	167	1088314	PLATE
126	905-01-010-2706	3/16" X 1" SPRING PIN	168	904-01-010-1614	FLAT WASHER
127	422-35-095-0001	FR. TRUNNION	169	424-03-017-0003	SPACER
128	422-35-105-0001	SLEEVE	170	902-01-120-1034	1/4-20 HEX NUT
129	901-04-141-9152	1/4-20 X 5/16" HEX SOC SET SCREW	171	1088315	COVER
130	902-01-283-1393	5/8-18 LOCK NUT	172	904-03-030-1757	1/4" EXT TOOTH WASHER
131	1087233	FR. TRUNNION, INCL:	173	902-04-010-1402	1/4-20 WING NUT
132	422-35-042-0001	ECCENTRIC	180	955-01-050-1472	WRENCH
133	902-01-020-9145	9/16-18 HEX NUT	181	422-39-101-0001	7/8 X 1/2" WRENCH
134	901-02-763-1526	5/16-18 X 7/8" HEX WASHER HD SCREW			
135	904-07-010-5554	3/8" FIBER WASHER	*		NOT SHOWN ASSEMBLED
136	426-03-388-0001	SET COLLAR ASSY, INCL:	**		NOT SHOWN

## STANDARD SAFETY EQUIPMENT

In order to promote tool safety, Delta Machinery strictly enforces the policy of repairing or replacing any damaged or missing standard safety equipment on machines presented to Delta Authorized Service Centers for service/repairs. Any product that is presented to a Delta Authorized Service Centers for repairs which contains missing or damaged standard safety equipment will have that equipment repaired or replaced and the customer will be charged for any such service/repairs. Customers can avoid such charges only if the missing safety component is supplied to the service center at the time of repair.

*This parts list is provided to aid in obtaining service parts. Copies of the instruction and maintenance literature can be obtained through the Delta Technical Publications Department or through your service outlet.*