

REPLACEMENT PARTS

Ref. No.	Part No.	Description	Ref. No.	Part No.	Description
100	902-01-200-9848	ARBOR NUT - LH	136	426-03-388-0001	SET COLLAR ASSY, INCL:
101	422-04-103-5001	FLANGE	137	901-04-150-0208	1/4-20 X 1/4" HEX SOC SET SCREW
102	422-19-303-0002	ARBOR ASSY	138	905-01-010-2711	1/8" X 5/8" SPRING PIN
103	1086894	BALL BEARING	139	1087893	TILT SHAFT ASSY, INCL:
104	928-06-020-7382	LOAD SPRING	*	905-01-010-2716	1/8" X 9/16" SPRING PIN
105	1087857	SPACER	140	1086491	HANDWHEEL ASSY
106	422-02-014-0017	ARBOR BRACKET	141	422-19-138-0003	KNOB
107	905-01-010-2710	3/16" X 7/8" SPRING PIN	142	901-03-010-3309	1/4-20 X 5/8" HEX SOC HD SCREW
108	952-01-101-3267	ARBOR BRACKET SHAFT	143	904-01-010-1614	FLAT WASHER
109	1086894	BALL BEARING	144	422-19-075-0001	POINTER
110	902-07-020-7176	BEARING CLOSURE NUT	145	422-19-104-0001	SPACER
111	422-19-104-0005	SPACER	150	62-044	MOTOR ASSY, INCL:
112	422-19-130-0001	PULLEY HALF	151	438-01-302-0671	CORD W/FEMALE CONNECTOR (SEE NOTE C)
113	902-01-020-1226	5/8-18 JAM NUT	152	438-01-302-0661	CORD W/MALE CONNECTOR (SEE NOTE C)
114	422-02-014-0010	TRUNNION BRACKET - REAR	153	901-11-020-0834	5/16-18 X 3/4" CARRIAGE HD SCREW
115	901-02-763-1526	5/16-18 X 7/8" HEX WASHER HD SCREW	154	904-01-010-1620	FLAT WASHER
116	902-01-283-1393	5/8-18 LOCK NUT	155	49-034	BELT
117	422-19-095-0004	REAR TRUNNION	156	926-01-041-9366	MOTOR PULLEY (2-1/4"OD), INCL:
118	422-19-071-0002	PIN	157	901-04-150-0206	5/16-18 X 5/16" HEX SOC SET SCREW
119	422-19-122-0001	SPRING	158	904-03-030-1656	5/16" EXT TOOTH WASHER
120	422-19-071-0002	PIN	159	902-01-010-1300	5/16-18 HEX NUT
121	422-19-004-0002	TIE BAR	160	422-02-089-0005	MOTOR PLATE
122	928-06-013-1779	11/16" WAVE WASHER	*	34-965	BELT & PULLEY GUARD, CONST OF:
123	422-35-406-0001	ELEVATING SHAFT ASSY, INCL.:	165	901-01-060-3124	1/4-20 X 1 1/2" HEX HD SCREW
*	905-01-010-2716	1/8" X 9/16" SPRING PIN	166	904-03-030-1757	1/4" EXT TOOTH WASHER
124	905-01-010-2711	1/8" X 5/8" SPRING PIN	167	1088314	PLATE
125	902-01-020-1226	5/8-18 JAM NUT	168	904-01-010-1614	FLAT WASHER
126	905-01-010-2706	3/16" X 1" SPRING PIN	169	424-03-017-0003	SPACER
127	422-35-095-0001	FRONT TRUNNION	170	902-01-120-1034	1/4-20 HEX NUT
128	422-35-105-0001	SLEEVE	171	1088315	COVER
129	901-04-141-9152	1/4-20 X 5/16" HEX SOC SET SCREW	172	904-03-030-1757	1/4" EXT TOOTH WASHER
130	902-01-283-1393	5/8-18 LOCK NUT	173	902-04-010-1402	1/4-20 WING NUT
131	1087233	FRONT TRUNNION, INCL:	180	955-01-050-1472	WRENCH
132	422-35-042-0001	ECCENTRIC	181	422-39-101-0001	7/8 X 1/2" WRENCH
133	902-01-020-9145	9/16-18 HEX NUT			
134	901-02-763-1526	5/16-18 X 7/8" HEX WASHER HD SCREW	*	NOT SHOWN ASSEMBLED	
135	904-07-010-5554	3/8" FIBER WASHER	**	NOT SHOWN	

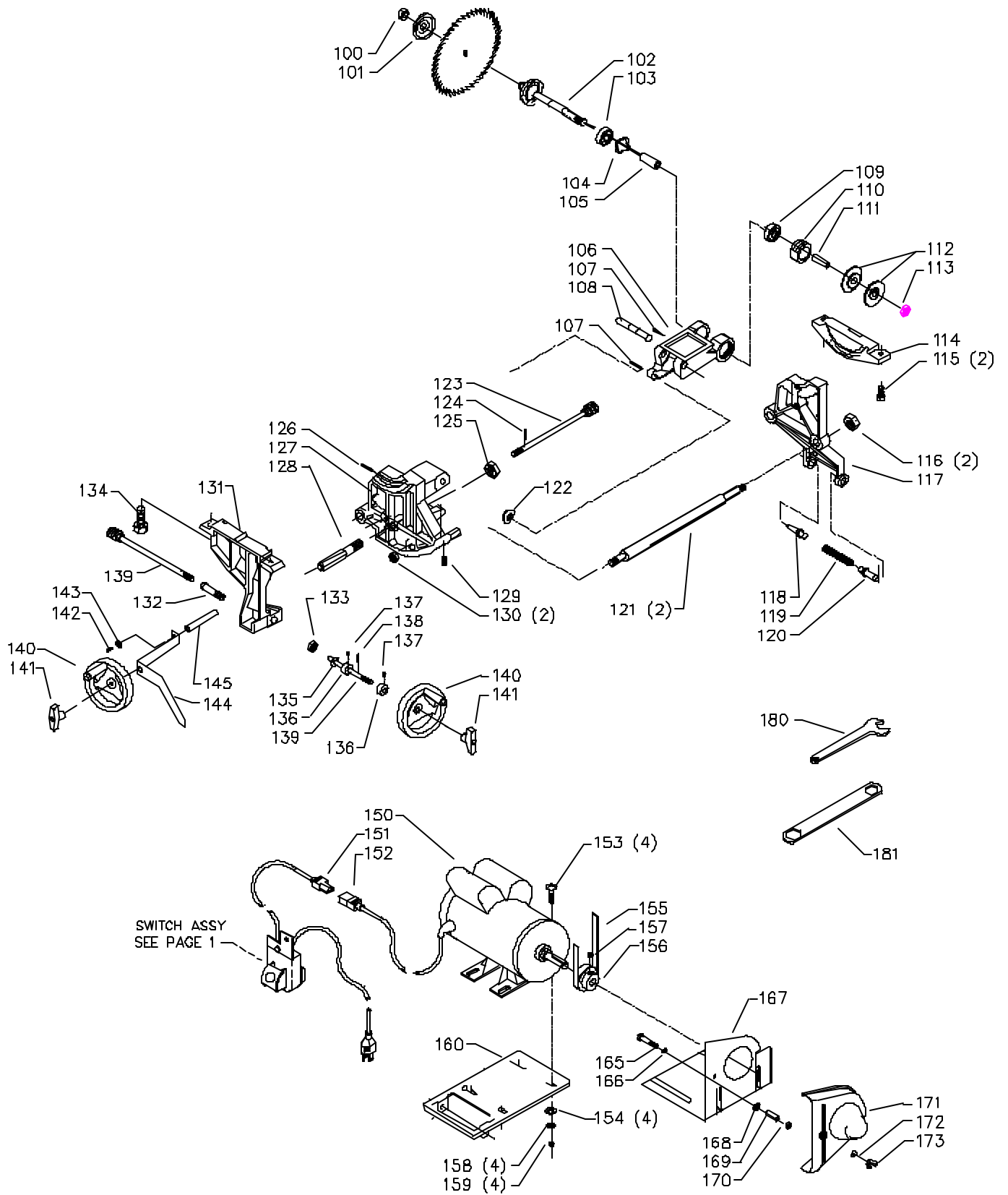
SERVICE NOTES:

C. - When installing power cords, (Ref. No. 151 & 152), in to the switch box, take care to ensure that the cords outer insulating jacket passes through the switch box cord clamp area before tightening the switch box assembly screws.

STANDARD SAFETY EQUIPMENT

In order to promote tool safety, Delta Machinery strictly enforces the policy of repairing or replacing any damaged or missing standard safety equipment on machines presented to Delta Authorized Service Centers for service/repairs. Any product that is presented to a Delta Authorized Service Centers for repairs which contains missing or damaged standard safety equipment will have that equipment repaired or replaced and the customer will be charged for any such service/repairs. Customers can avoid such charges only if the missing safety component is

This parts list is provided to aid in obtaining service parts. Copies of the instruction and maintenance literature can be obtained through the Delta Technical Publications Department or through your service outlet.



REPLACEMENT PARTS

Ref.	No.	Part No.	Description	Ref.	No.	Part No.	Description
*		1086935	BLADE GUARD, CONST OF:	53		902-01-503-1514	5/16-18 FLANGE NUT
*		34-412	BLADE GUARD ASSY, CONST OF:	54		422-19-089-0007	BRACKET
1		1086334	"SEE THRU" GUARD	55		901-02-050-0704	5/16-18 X 5/8" FILL HD SCREW
2		1086388	PUSH NUT CAP	60		1231355	5/16-18 X 1/2" HEX WASHER HD SCREW
3		1087811	PIN	*		422-19-626-0011	STAND ASSY (SEE NOTE D), CONST OF:
4		1086388	PUSH NUT CAP	*		422-19-626-0004	STAND ASSY (SEE NOTE E), CONST OF:
5		1086353	SPRING	61		901-01-060-0606	5/16-18 X 5/8" HEX HD SCREW
6		422-16-047-0001	KICK BACK FINGER	62		904-01-010-1620	FLAT WASHER
7		422-04-071-0007	PIN	63		904-02-010-1703	5/16" LOCK WASHER
8		1086337	PIVOT BRACKET	64		902-01-010-1300	5/16-18 HEX NUT
9		1086387	PUSH NUT	65		436-06-123-0005	LEG PANEL - REAR (SEE NOTE D)
10		422-04-086-0002	SPLITTER W/BUSHING			436-06-123-0001	LEG PANEL - REAR (SEE NOTE E)
11		905-01-010-6729	5/32" X 11/16" SPRING PIN	66		436-06-026-0004	DUST CHUTE (SEE NOTE D)
12		901-11-023-1476	5/16-18 X 5/8" CARRIAGE HD SCREW			436-06-026-0001	DUST CHUTE (SEE NOTE E)
13		422-19-089-0003	BRACKET	67		436-06-423-0004	LEG PANEL - FRONT, INCL: (SEE NOTE D)
14		904-01-010-1620	FLAT WASHER			436-06-423-0001	LEG PANEL - FRONT, INCL: (SEE NOTE E)
15		902-01-010-1300	5/16-18 HEX NUT	68		1087794	RIVET
16		901-01-060-0626	1/4-20 X 3/4" HEX HD SCREW	69		422-19-754-0006	NAMEPLATE (SEE NOTE D)
17		904-01-010-1614	FLAT WASHER			422-19-132-0005	NAMEPLATE (SEE NOTE E)
18		901-01-060-0649	5/16-18 X 1" HEX HD SCREW	70		438-01-004-0097	BUSHING
19		422-03-072-0001	PLATE	71		901-05-213-1498	#10 X 1/2" HEX WASHER HD SCREW
20		422-04-014-0037	SPLITTER BRACKET	72		902-01-293-1513	#10-32 KEPS NUT
21		901-03-010-0230	1/4-20 X 2" HEX SOC HD SCREW	73		901-02-453-1123	#10-32 X 1/2" PAN HD SCREW
22		901-03-010-0755	1/4-20 X 3/4" HEX SOC HD SCREW	74		427-99-048-0001	FOOT
23		904-01-010-1614	FLAT WASHER	75		438-01-004-0054	CABLE TIE
25		34-862	EXTENSION WING, INCL: (SEE NOTE E)	*		34-895	MITER GAGE, CONST OF:
26		901-01-060-0680	7/16-20 X 3/4" HEX HD SCREW			422-02-074-0001	HOLE PLUG
27		904-01-010-1638	FLAT WASHER	81		422-02-060-0003	HANDLE
*		34-278	SWITCH KIT ASSY, (SEE NOTE A)	82		904-07-010-5555	1/4" FIBER WASHER
			CONST OF:	83		422-01-355-0004	MITER GAGE BODY, INCL:
28	n	902-01-120-1034	1/4-20 NUT	84		901-04-150-1181	1/4-28 X 3/16" HEX SOC SET SCREW
29	n	901-03-030-8013	1/4-20 X 3/4" FLAT HEAD SCREW	85		901-04-150-9428	#08-32 X 1/2" HEX SOC SET SCREW
30		901-01-060-0648	3/8-16 X 1 1/4" HEX HD SCREW (SEE NOTE A)	86		422-04-004-0001	BAR, INCL:
31		902-01-010-5900	3/8-16 JAM NUT (SEE NOTE A)	87		422-01-088-0004	STOP LINK
32		904-02-020-1704	3/8" LOCK WASHER (SEE NOTE A)	88		901-04-150-1181	1/4-28 X 3/16" HEX SOC SET SCREW
33		422-39-089-0007	SWITCH PLATE (SEE NOTE A)	89		422-01-075-0001	POINTER
34		438-01-317-0127	SWITCH	90		422-01-112-0001	SCREW
35		422-39-067-0001	SWITCH ACTUATOR	91		422-04-072-0001	PLATE
36		422-39-014-0009	SWITCH BOX COVER	92		901-02-030-5750	1/4-28 X 5/16" FLAT HD SCREW
37		901-05-163-1229	#10-16 X 1/2" PAN HD SCREW	93		422-19-725-0024	STAND HARDWARE PACK
38		422-39-013-0001	SWITCH BOX	94		422-19-628-0016	WING/RAIL HDWE PACK
39		901-05-163-1229	#10-16 X 1/2" PAN HD SCREW				
40		901-05-163-1126	#08-32 X 5/16" PAN HD SCREW	*			NOT SHOWN ASSEMBLED
41		438-01-302-0671	CORD W/FEMALE CONNECTOR (SEE NOTE B)				
42		438-01-302-0672	CORD SET (SEE NOTE B)				
45		34-154	TABLE INSERT, INCL:				
46		901-04-461-5297	1/4-28 X 3/8" HEX SOC SET SCREW				
47		901-04-293-1395	5/16-18 X 3/4" HEX SOC SET SCREW				
48		422-35-391-0003	TABLE				
49		422-19-318-0011	CABINET ASSY, INCL: (SEE NOTE D)				
		422-19-318-0007	CABINET ASSY, INCL: (SEE NOTE E)				
50		422-19-754-0005	WARNING LABEL (SEE NOTE D)				
		422-19-754-0001	WARNING LABEL (SEE NOTE E)				
51		1087794	RIVET				
52		422-19-132-0013	NAMEPLATE (SEE NOTE D)				
		422-19-132-0006	NAMEPLATE (SEE NOTE E)				

SERVICE NOTES:

A - Refer to your Fence System owners manual for correct Switch mounting configuration and correct mounting hardware.

B - When installing power cords, (Ref. No. 41 & 42), in to the switch box, take care to ensure that the cords outer insulating jacket passes through the switch box cord clamp area before tightening the switch box assembly screws.

D- S/N'S BEGINNING WITH 01G AND ABOVE

E- S/N'S BEGINNING WITH 01F AND BELOW



10" CONTRACTORS SAW
36-430, 36-440,
36-441, 36-444, 36-445,
36-450, 36-470 & 36-490

CS-4L-5

PARTS NO. 422-19-651-0049

Revised: 07-12-02

