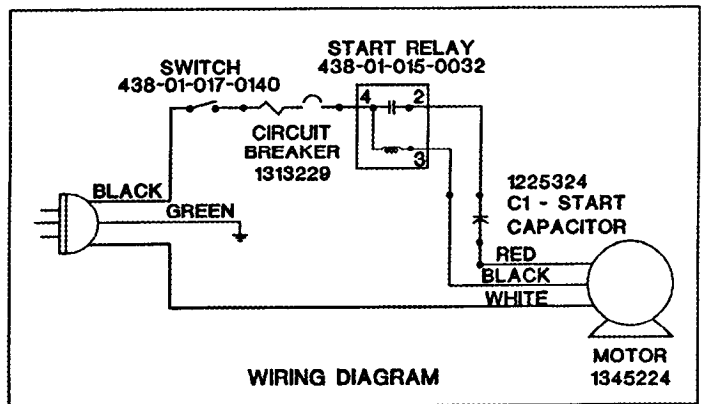
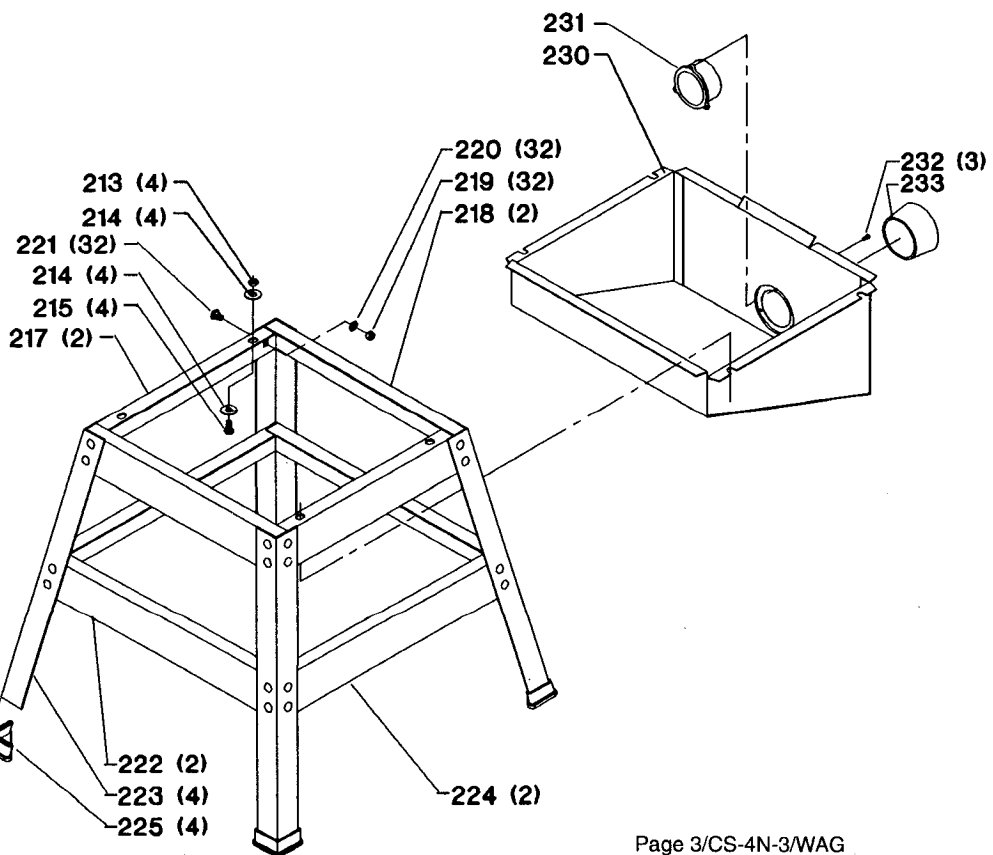
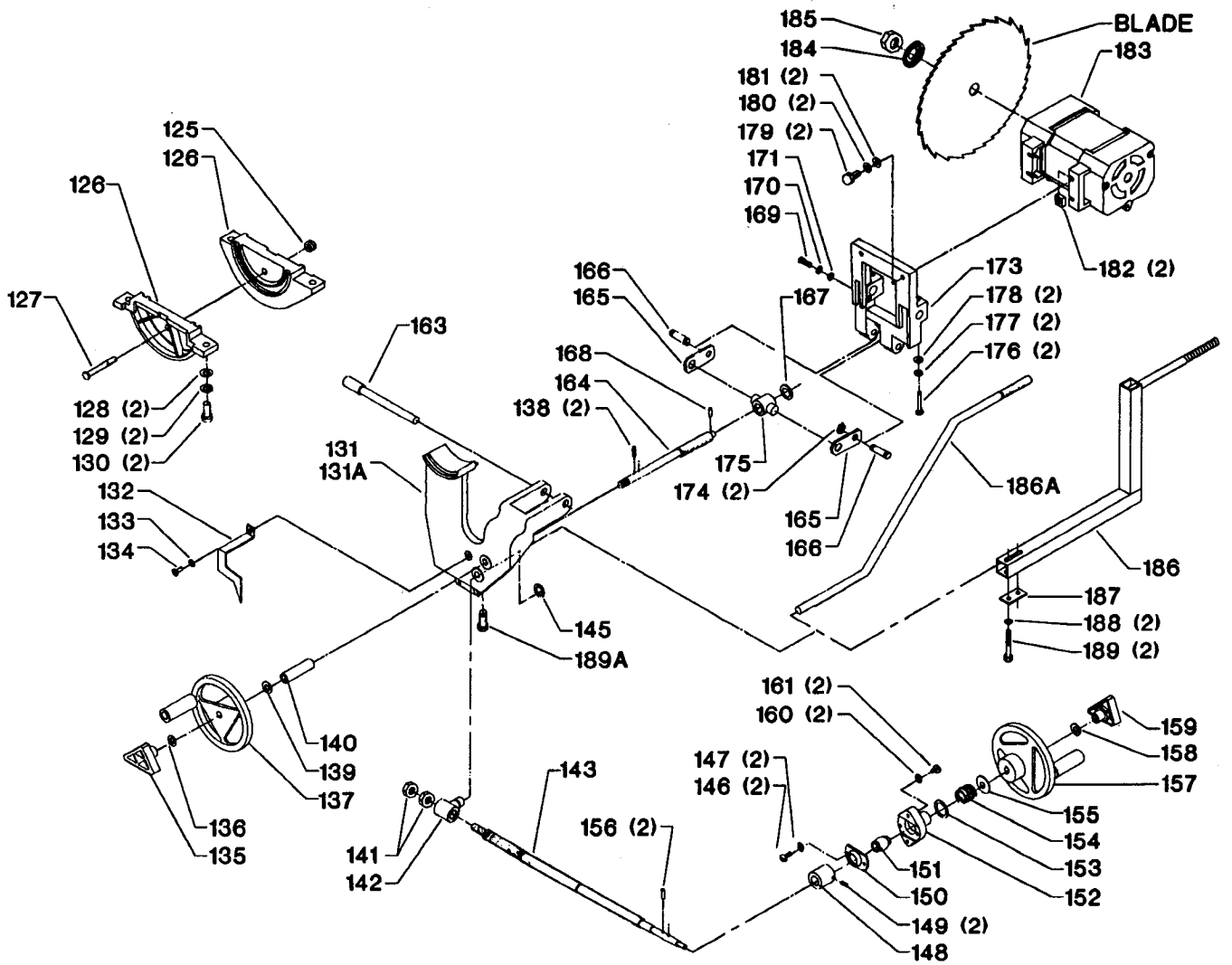


# REPLACEMENT PARTS

REF NO.	PART NUMBER	DESCRIPTION	REF NO.	PART NUMBER	DESCRIPTION
1	34-678	TABLE INSERT, INCL:	*	1313282	GUARD ASSY, CONST OF:
2	1246135	(DIN 963) M6 X 16MM FLAT HD SCREW	70	1313271	PIN
3	1313226	RUBBER WASHER	71	1313272	BLADE GUARD
4	1345211	TABLE	72	1313270	PUSH NUT
5	1313215	EXT. WING	73	1313273	PIN
6	1243398	(DIN 934) M8 HEX NUT	74	1313274	GUARD BRACKET
7	904-01-031-2926	FLAT WASHER	75	1313275	LOCK RING
8	1342662	SPACER	76	1313276	SPRING
9	1342663	SPECIAL SCREW	77	1313279	ANTI-KICKBACK FINGER
10	1345212	RAIL	78	1310311	(DIN 1481) M4 X 22MM SPRING PIN
11	1345213	ADAPTER	79	1313277	SPLITTER
12	1310105	(DIN 933) M8 X 16MM HEX HD SCREW	80	1313278	BUSHING
13	904-02-010-1703	5/16" LOCK WASHER	81	1246015	(DIN 933) M6 X 20MM HEX HD SCREW
14	904-01-010-1605	3/8" FLAT WASHER	82	904-03-030-1757	1/4" EXT TOOTH WASHER
15	1345215	FRONT GUIDE RAIL	83	904-01-010-1603	1/4" FLAT WASHER
16	1342691	END PLUG	84	1243476	(DIN 934) M12 HEX NUT
17	1345214	REAR GUIDE RAIL	85	904-01-010-1607	1/2" FLAT WASHER
20	1345216	CABINET	86	1313280	BRACKET
21	904-01-010-1605	3/8" FLAT WASHER	87	1313281	(DIN 315) M6 WING NUT
22	904-02-010-1703	5/16" LOCK WASHER	*	1342673	FENCE ASSY, CONST OF:
23	1310105	(DIN 933) M8 X 16MM HEX HD SCREW	95	1341153	(DIN 933) M8 X 12MM HEX HD SCREW
24	1313218	PIN	96	1246157	(DIN 7980) M8.1 LOCK WASHER
25	1313219	COVER	97	1342674	FENCE
26	422-35-060-0001	WRENCH HOOK	98	1342675	REAR CLAMP BLOCK
27	1343538	(DIN 7980) M5.1 LOCK WASHER	99	1313247	1/4" X .890 DOWEL PIN
28	1310162	(DIN 85) M5 X 12MM PAN HD SCREW	100	1342677	SPRING
29	1345217	MITER GAGE BRACKET	101	1342678	REAR CLAMP HOOK
30	1320131	STRAIN RELIEF	102	1342679	LEVER
31	1087576	#8 X 1/2" PAN HD SCREW	103	1342680	LOCK ROD
32	1345218	NAMEPLATE	104	1342681	SPRING
33	1345219	SWTCH BOX	105	1342682	FRONT BLOCK
34	1343538	(DIN 7980) M5.1 LOCK WASHER	106	1246143	(DIN 1481) M8 X 40MM SPRING PIN
35	1310162	(DIN 85) M5 X 12MM PAN HD SCREW	107	1342684	LEVER
36	1243395	(DIN 934) M5 HEX NUT	108	1342685	HANDLE
37	1313229	SWTCH W/PLATE, INCL:	109	1342686	ECCENTRIC
38	1313234	HEX NUT	110	1342687	ADJ SCREW
39	438-01-017-0140	SWTCH, INCL:	111	1342688	SPRING
40	400-06-068-0002	SWTCH KEY	112	1342689	POINTER
41	1345225	POWER CORD	113	1340490	(DIN 84) M4 X 8MM CHEESE HD SCREW
42	438-01-015-0032	START RELAY	114	1246157	(DIN 7980) M8.1 LOCK WASHER
43	1310547	(DIN 7981B) M4.2 X 12MM PAN HD SCR	115	1246078	(DIN 933) M8 X 15MM HEX HD SCREW
44	1225324	CAPACITOR	120	1313197	WRENCH
45	438-01-007-0042	WIRE NUT	121	1342690	13MM OPEN END WRENCH
46	1342370	JUMPER WIRE			
47	1246154	(DIN 84) M4 X 16MM CHEESE HD SCREW	*	NOT SHOWN ASSEMBLED	
48	1310210	(DIN 6797A) M4.3 EXT TOOTH WASHER			
49	1243569	(DIN 934) M4 HEX NUT			
50	1342930	CABLE CLAMP			
*	1345226	MITER GAGE ASSY, CONST OF:			
51	1342685	HANDLE			
52	1313241	WASHER			
53	1310161	(DIN 85) M4 X 18MM PAN HD SCREW			
54	1243569	(DIN 934) M4 HEX NUT			
55	1313243	POINTER			
56	1310055	(DIN 913) M6 X 6MM HEX SOC SET SCR			
57	1313245	STOP LINK			
58	1313247	1/4" X .890 DOWEL PIN			
59	1345220	GUIDE BAR			
60	1313242	MITER GAGE BODY			
61	1310055	(DIN 913) M6 X 6MM HEX SOC SET SCR			
62	422-04-072-0001	PLATE			
63	901-02-030-5750	1/4-28 X 5/16" FLAT HD SCREW			

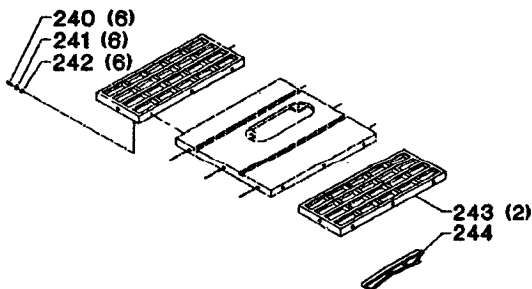




# REPLACEMENT PARTS

REF NO.	PART NUMBER	DESCRIPTION	REF NO.	PART NUMBER	DESCRIPTION
125	1313148	(DIN 985) M6 LOCK NUT	173	1342713	MOTOR BRACKET
126	1313286	TRUNNION	174	1330258	EXT RET RING
127	1310154	(DIN 85) M6 X 65MM PAN HD SCREW	175	1342696	ELEVATING NUT
128	904-01-010-1605	3/8" FLAT WASHER	176	1246128	(DIN 933) M6 X 40MM HEX HD SCREW
129	904-02-010-1703	5/16" LOCK WASHER	177	904-02-020-1702	1/4" LOCK WASHER
130	1246016	(DIN 933) M8 X 25MM HEX HD SCREW	178	904-01-010-1603	1/4" FLAT WASHER
131	1345235	TRUNNION (CURRENT MODELS ONLY)	179	1246128	(DIN 933) M6 X 40MM HEX HD SCREW
131A	1313288	TRUNNION (EARLY MODELS ONLY)	180	904-02-020-1702	1/4" LOCK WASHER
132	1313287	POINTER	181	904-01-010-1603	1/4" FLAT WASHER
133	904-03-030-1795	3/16" EXT TOOTH WASHER	182	1342697	M6 SQUARE NUT
134	1310155	(DIN 84) M5 X 8MM CHEESE HD SCREW	183	1345224	MOTOR
135	1313223	KNOB	184	1313292	ARBOR FLANGE
136	1313239	PLASTIC WASHER	185	902-01-201-2567	5/8-18 HEX NUT
137	1086491	HANDWHEEL ASSY	186	1345233	GUARD MOUNTING ROD (CURRENT MODELS ONLY)
138	1310310	(DIN 1481) M3 X 18MM SPRING PIN	186A	1342692	GUARD MOUNTING ROD (EARLY MODELS ONLY)
139	904-01-010-1606	3/8" FLAT WASHER	187	1345234	PLATE (CURRENT MODELS ONLY)
140	1313300	SPACER	188	1246157	(DIN 7980) M8.1 LOCK WASHER (CURRENT MODELS ONLY)
141	1243496	(DIN 934) M10 HEX NUT	189	1246079	(DIN 933) M8 X 40MM HEX HD SCREW (CURRENT MODELS ONLY)
142	1313301	NUT	189A	1310105	(DIN 933) M8 X 16MM HEX HD SCREW (EARLY MODELS ONLY)
143	1313305	SHAFT	*	1345227	STAND ASSY, CONST OF:
145	1313299	O RING	213	1243398	(DIN 934) M8 HEX NUT
146	1342611	(DIN 571) M8 X 24MM HEX LAG HD SCR	214	904-01-010-1606	3/8" FLAT WASHER
147	1246157	(DIN 7980) M8.1 LOCK WASHER	215	1310105	(DIN 933) M8 X 16MM HEX HD SCREW
148	1313302	COLLAR	217	1345228	BRACKET (1 X 2 5/8 X 16 9/16")
149	1310055	(DIN 913) M6 X 6MM HEX SOC SET SCR	218	1345229	BRACKET (1 X 2 5/8 X 18 7/8")
150	1313303	BLOCK	219	1243398	(DIN 934) M8 HEX NUT
151	1313304	BEARING	220	904-01-010-1606	3/8" FLAT WASHER
152	1313307	BLOCK	221	1313325	M8 X 16MM CARRIAGE HD SCREW
153	1313309	WASHER	222	1345230	BRACKET (1 X 2 5/8 X 22 1/4")
154	1313310	SPRING	223	1345231	LEG
155	1313311	SPECIAL WASHER	224	1345232	BRACKET (1 X 2 5/8 X 19 31/32")
156	1310310	(DIN 1481) M3 X 18MM SPRING PIN	225	1342381	PLASTIC FOOT
157	1086491	HANDWHEEL ASSY	<b>AVAILABLE AS AN ACCESSORY</b>		
158	1313239	WASHER	*	50-199	DUST CONNECTOR, CONST OF:
159	1313223	KNOB	230	1345221	DUST BOX
160	1243520	(DIN 7980) M6.1 LOCK WASHER	231	1345222	DUST SPOUT
161	1342610	(DIN 571) M6 X 24MM HEX LAG HD SCR	232	1343526	(DIN 7981B) M4 X 15MM SELF TAP SCR
163	1342693	PIVOT PIN	233	1346909	PLUG
164	1342694	ELEVATING SHAFT	* NOT SHOWN ASSEMBLED		
165	1313297	ELEVATING LINK			
166	1342707	PIN			
167	904-01-010-1620	FLAT WASHER			
168	1310310	(DIN 1481) M3 X 18MM SPRING PIN			
169	1313306	(DIN 7513A) M6 X 18MM PAN HD SCREW			
170	904-03-030-1757	1/4" EXT TOOTH WASHER			
171	1310062	(DIN 9021) M6.4 FLAT WASHER			

## (OPEN GRID EXTENSION WINGS ONLY)



REF NO.	PART NUMBER	DESCRIPTION
240	1246016	(DIN 933) M8 X 25MM HEX HD SCREW
241	904-02-010-1703	5/16" LOCK WASHER
242	904-01-010-1605	3/8" FLAT WASHER
243	1345761	EXTENSION WING
244	1345128	PUSH STICK

### STANDARD SAFETY EQUIPMENT

In order to promote tool safety, Delta International Machinery Corp. strictly enforces the policy of repairing or replacing any damaged or missing standard safety equipment on machines presented to Delta Authorized Service Centers for service/repair. Any product which is presented to a Delta Authorized Service Center for repairs which contains missing or damaged standard safety equipment will have that equipment repaired or replaced and the customer will be charged for any such service/repairs. Customers can avoid such charges only if the missing safety component is supplied to the service center at the time of repair.

This parts list is provided to aid in obtaining service parts. Copies of the instruction and maintenance literature can be obtained through the Delta Technical Publications Department or through your local service outlet.