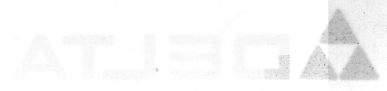


REPLACEMENT PARTS

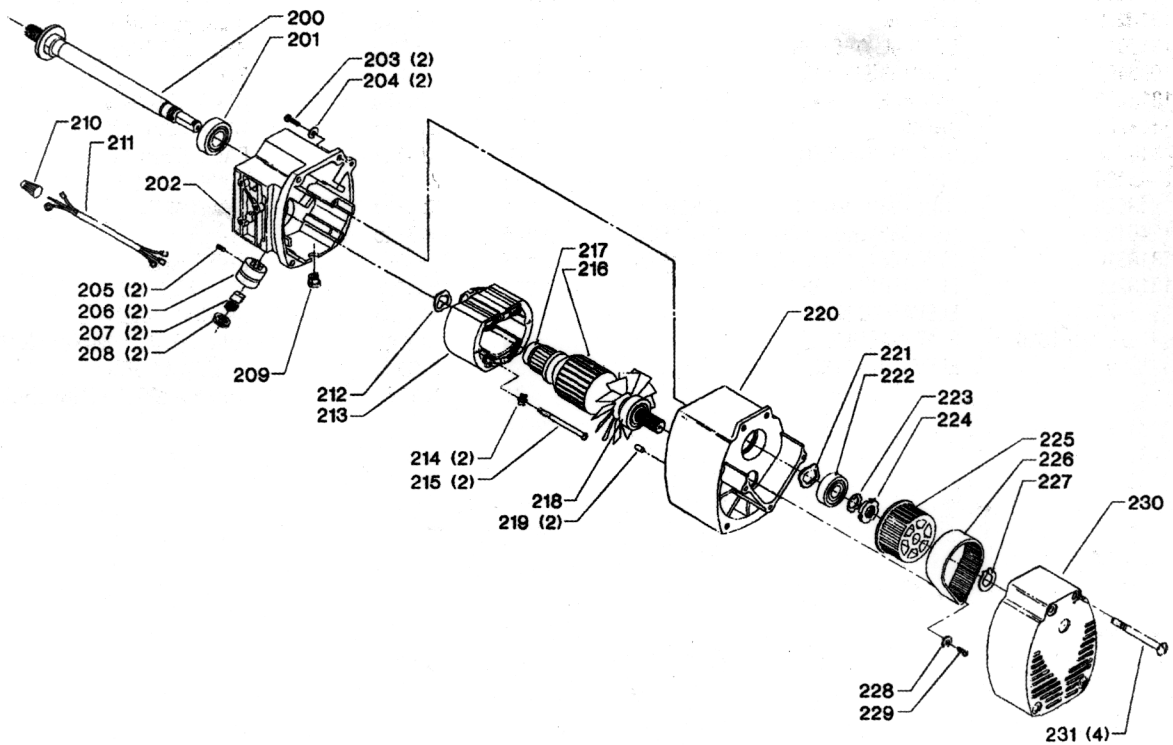
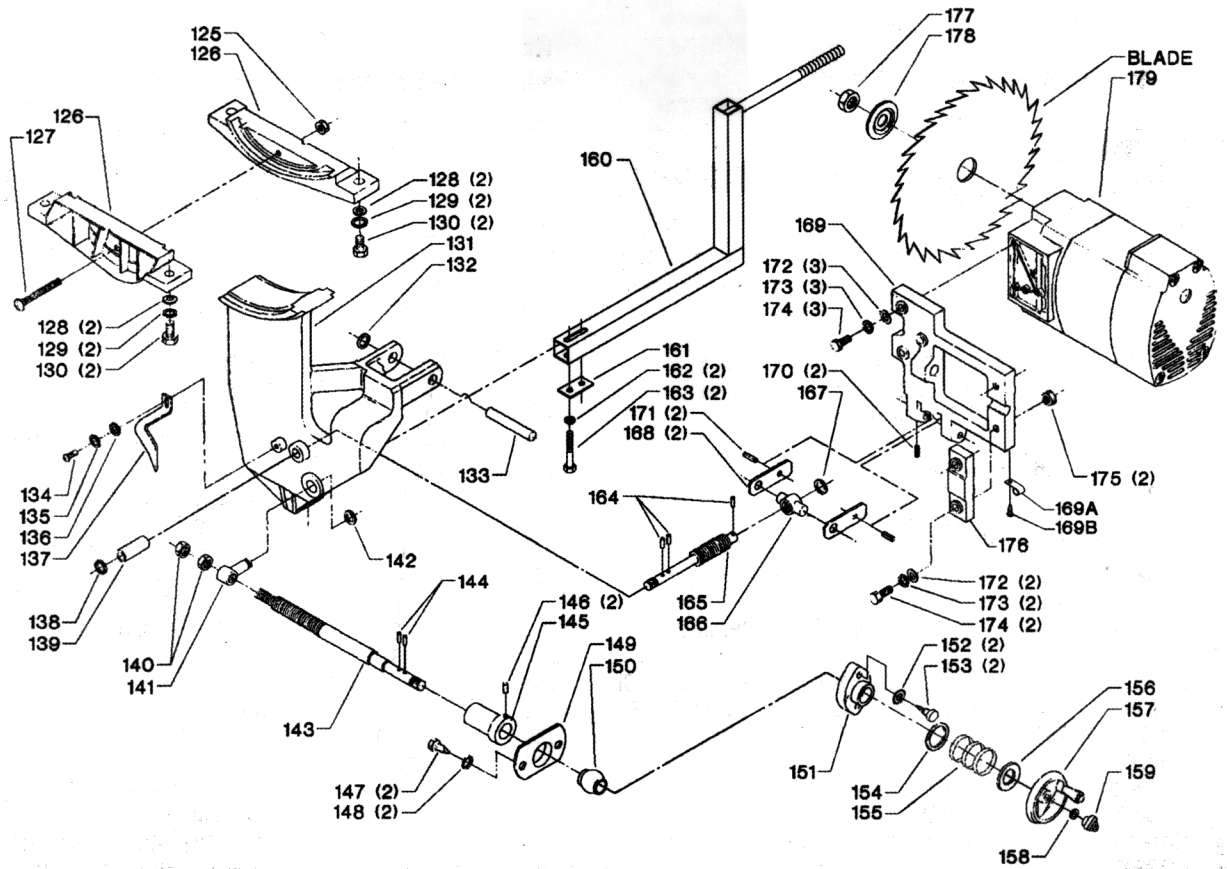


| REF. NO. | PART NUMBER | DESCRIPTION |
|----------|-----------------|--|
| 1 | 34-678 | TABLE INSERT, <i>INCL.</i> : |
| 1A | 1246135 | (DIN 963) M6 X 16MM FLAT HD SCR |
| 1B | 1313226 | RUBBER WASHER |
| 2 | 1348724 | REAL RAIL (<i>LEFT</i>) |
| 3 | 1348722 | REAR RAIL (<i>RIGHT</i>) |
| 4A | 1246034 | (DIN 933) M8 X 20MM HEX HD SCR |
| 4B | 1246157 | (DIN 7980) M8.1 LOCK WASHER |
| 4C | 1340637 | (DIN 9021) M8.4 FLAT WASHER |
| 6A | 1243456 | (DIN 934) M6 HEX NUT |
| 6B | 1243520 | (DIN 7980) M6.1 LOCK WASHER |
| 6C | BN721713 | M6 FLAT WASHER |
| 9 | 1348729 | END PLUG |
| 10 | 1348889 | (DIN 603) M6 X 30MM CARRIAGE HD SCR |
| 11 | 1348728 | SCALE |
| 12 | 1348727 | FRONT RAIL (<i>RIGHT</i>) |
| 13 | 1348726 | ADAPTER |
| 14 | 1348725 | FRONT RAIL (<i>LEFT</i>) |
| 15 | 1348723 | TABLE |
| 16 | 1345761 | EXT. WING |
| 17A | 1246034 | (DIN 933) M8 X 20MM HEX HD SCR |
| 17B | 905-02-010-1703 | 5/16" LOCK WASHER |
| 17C | 904-01-010-1605 | 3/8" FLAT WASHER |
| 18 | 1348730 | CABINET |
| 19 | 904-01-010-1605 | 3/8" FLAT WASHER |
| 20 | 904-02-010-1703 | 5/16" LOCK WASHER |
| 21 | 1310105 | (DIN 933) M8 X 16MM HEX HD SCR |
| 22 | 1313219 | COVER |
| 23 | 1313218 | PUSH PIN |
| 24 | 1086491 | HANDWHEEL ASSY |
| 25 | 1313239 | WASHER |
| 26 | 1313223 | KNOB |
| 27 | 1349138 | NAMEPLATE |
| 28 | 1087576 | #8 X 1/2" PAN HD SCR |
| 29 | 1313227 | (DIN 7513B) M4 X 12MM CHEESE HD SCR |
| 30 | 1310162 | (DIN 85) M5 X 12MM PAN HD SCR |
| 31 | 1343759 | SWITCH, <i>INCL.</i> : |
| 32 | 400-06-068-0002 | SWITCH KEY |
| 33 | 1313230 | SWITCH BOX |
| 34 | 1313229 | BREAKER SWITCH W/PLATE, <i>INCL.</i> : |
| 35 | 1313234 | HEX NUT |
| 36 | 1313228 | NUT |
| 37 | 904-03-030-1795 | 3/16" EXT TOOTH WASHER |
| 38 | 1243395 | (DIN 934) M5 HEX NUT |
| 39 | 1313220 | CLAMP |
| 40 | 1310162 | (DIN 85) M5 X 12MM PAN HD SCR |
| 41 | 1313231 | BUSHING |
| 42 | 1313235 | POWER CORD |
| 43 | 1349139 | WARNING LABEL |
| * | 1345226 | MITER GAGE ASSY, <i>CONST OF.</i> : |
| 44 | 1342685 | HANDLE |
| 45 | 1313241 | WASHER |
| 46 | 1313242 | MITER GAGE BODY |

*NOT SHOWN ASSEMBLED

| REF. NO. | PART NUMBER | DESCRIPTION |
|----------|-----------------|---|
| 47 | 1310055 | (DIN 913) M6 X 6MM HEX SOC SET SCR |
| 48 | 1243569 | (DIN 934) M4 HEX NUT |
| 49 | 1310161 | (DIN 85) M4 X 18MM PAN HD SCR |
| 50 | 1313247 | PIN |
| 51 | 1310055 | (DIN 913) M6 X 6MM HEX SOC SET SCR |
| 52 | 1313243 | POINTER |
| 53 | 1345220 | GUIDE BAR |
| 53A | 422-04-072-0001 | PLATE |
| 53B | 901-02-030-5750 | 1/4-28 X 5/16" FLAT HD SCR |
| 54 | 1313245 | STOP LINK |
| * | 1313282 | BLADE GUARD ASSY, <i>CONST OF.</i> : |
| 55 | 1313270 | PUSH NUT |
| 56 | 1313271 | PIN |
| 57 | 1313272 | "SEE THRU" BLADE GUARD |
| 58 | 1313273 | PIN |
| 59 | 1313274 | GUARD BRACKET |
| 60 | 1313275 | LOCK RING |
| 61 | 1313276 | SPRING |
| 62 | 1313277 | SPLITTER |
| 63 | 1313278 | BUSHING |
| 64 | 1313279 | ANTI-KICKBACK FINGER |
| 65 | 1310311 | (DIN 1481) M4 X 22MM SPRING PIN |
| 66 | 1246015 | (DIN 933) M6 X 20MM HEX HD SCR |
| 67 | 904-03-030-1757 | 1/4" EXT TOOTH WASHER |
| 68 | 904-01-010-1604 | 5/16" FLAT WASHER |
| 69 | 1313280 | BRACKET |
| 70 | 1243476 | (DIN 934) M12 HEX NUT |
| 71 | 904-01-010-1608 | 5/8" FLAT WASHER |
| 72 | 1313281 | (DIN 315) M6 WING NUT |
| * | 1348731 | FENCE ASSY, <i>CONST OF.</i> : |
| 73 | 1348739 | END PLUG |
| 74 | 1348740 | REAR CLAMP |
| 75 | 1348741 | BUMPER |
| 76 | 1246047 | (DIN 84) M5 X 16MM CHEESE HD SCR (<i>SEE NOTE A</i>) |
| 77 | 1341951 | (DIN 933) M6 X 100MM HEX HD SCR (<i>SEE NOTE A</i>) |
| 78 | 1348742 | FENCE BUMPER |
| 79 | 1342000 | (DIN 963) M6 X 8MM FLAT HD SCR (<i>SEE NOTE A</i>) |
| 80 | 1343642 | (DIN 985) M6 LOCK NUT |
| 81 | 1348743 | CLAMP |
| 82 | 1341046 | (DIN 84) M6 X 8MM CHEESE HD SCR (<i>SEE NOTE A</i>) |
| 83 | 1246140 | (DIN 125) M6.4 FLAT WASHER |
| 84 | 1348744 | POINTER |
| 85 | 1348745 | FENCE ASSY |
| 86 | 1330151 | (DIN 933) M6 X 35MM HEX HD SCR |
| 87 | 1246140 | (DIN 125) M6.4 FLAT WASHER |
| 88 | 1348746 | ECCENTRIC |
| 89 | 1243496 | (DIN 934) M10 HEX NUT |
| 90 | 1348747 | HANDLE |
| 91 | 1348659 | (DIN 912) M10 X 78MM HEX SOC HD SCR |
| 92 | 1349141 | NAMEPLATE |
| 94 | 1313197 | 15/16" HEX ARBOR WRENCH |
| 95 | 1313232 | 7/8" OPEN END WRENCH |

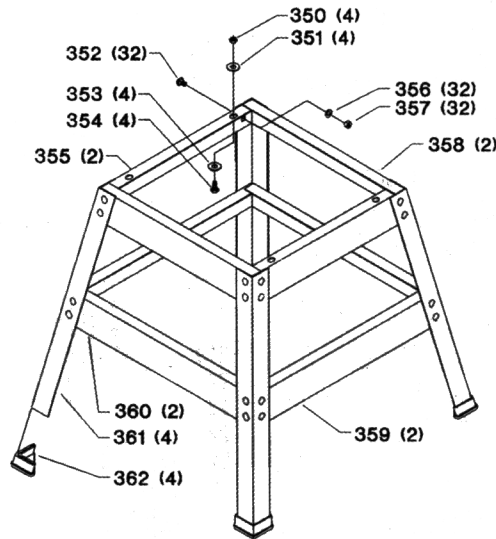
NOTE A: WHEN SERVICING, USE THREAD RETAINING COMPOUND PRIOR TO INSTALLATION.



REPLACEMENT PARTS

| REF. NO. | PART NUMBER | DESCRIPTION | REF. NO. | PART NUMBER | DESCRIPTION |
|----------|-----------------|-------------------------------------|----------|-----------------|-------------------------------------|
| 125 | 1343642 | (DIN 985) M6 LOCK NUT | 169 | 1313293 | MOTOR BRACKET, <i>INCL:</i> |
| 126 | 1313286 | TRUNNION | 169A | 1330682 | CLAMP |
| 127 | 1310154 | (DIN 85) M6 X 65MM PAN HD SCR | 169B | 1310143 | (DIN 85) M5 X 8MM PAN HD SCR |
| 128 | 904-01-010-1605 | 3/8" FLAT WASHER | 170 | 1246008 | (DIN 916) M5 X 12MM HEX SOC SET SCR |
| 129 | 904-02-010-1703 | 5/16" LOCK WASHER | 171 | 1313291 | PIN |
| 130 | 1246016 | (DIN 933) M8 X 25MM HEX HD SCR | 172 | 904-01-010-1620 | FLAT WASHER |
| 131 | 1345235 | TRUNNION | 173 | 904-02-010-1703 | 5/16" LOCK WASHER |
| 132 | 1313289 | WASHER | 174 | 1246017 | (DIN 933) M8 X 30MM HEX HD SCR |
| 133 | 1313290 | PIN | 175 | 1243398 | (DIN 934) M8 HEX NUT |
| 134 | 1310155 | (DIN 84) M5 X 8MM CHEESE HD SCR | 176 | 1313294 | SEAT |
| 135 | 1320101 | (DIN 6797A) M5.3 EXT TOOTH WASHER | 177 | 902-01-201-2567 | 5/8-18 HEX NUT |
| 136 | 1340622 | M6.4 FLAT WASHER | 178 | 1313292 | FLANGE |
| 137 | 1313287 | POINTER | 179 | 1313314 | MOTOR, <i>COMPLETE, CONST. OF:</i> |
| 138 | 904-01-010-1606 | 3/8" FLAT WASHER | 200 | 1313316 | SHAFT |
| 139 | 1313300 | SPACER | 201 | 1313116 | BALL BEARING |
| 140 | 1243496 | (DIN 934) M10 HEX NUT | 202 | 1313117 | FRONT HOUSING |
| 141 | 1313301 | NUT | 203 | 1310157 | (DIN 85) M6 X 20MM PAN HD SCR |
| 142 | 1313299 | O RING | 204 | 904-02-020-1702 | 1/4" LOCK WASHER |
| 143 | 1313305 | SHAFT | 205 | 1310172 | SPECIAL SCR |
| 144 | 1310310 | (DIN 1481) M3 X 18MM SPRING PIN | 206 | 1313112 | BRUSH HOLDER |
| 145 | 1313302 | COLLAR | 207 | 1313113 | BRUSH |
| 146 | 1243304 | (DIN 913) M6 X 8MM HEX SOC SET SCR | 208 | 1313114 | BRUSH CAP |
| 147 | 1313306 | (DIN 7513A) M6 X 18MM PAN HD SCR | 209 | 1313317 | BUSHING |
| 148 | 904-03-030-1757 | 1/4" EXT TOOTH WASHER | 210 | 438-01-007-0009 | WIRE NUT |
| 149 | 1313303 | BLOCK | 211 | 1313318 | CABLE |
| 150 | 1313304 | BEARING | 212 | 1313118 | WAVE WASHER |
| 151 | 1313307 | BLOCK | 213 | 1313319 | FIELD ASSY. |
| 152 | 1310216 | (DIN 6797A) M8.4 EXT TOOTH WASHER | 214 | 904-03-030-1795 | 3/16" EXT TOOTH WASHER |
| 153 | 1313308 | (DIN 7513B) M8 X 18MM CHEESE HD SCR | 215 | 1310148 | (DIN 85) M5 X 60MM PAN HD SCR |
| 154 | 1313309 | WASHER | 216 | 1313121 | ARMATURE ASSY, <i>INCL:</i> |
| 155 | 1313310 | SPRING | 217 | 1313120 | BALL BEARING |
| 156 | 1313311 | SPECIAL WASHER | 218 | 1313122 | BALL BEARING |
| 157 | 1086491 | HANDWHEEL ASSY | 219 | 1313207 | PIN |
| 158 | 1313239 | WASHER | 220 | 1313359 | REAR HOUSING |
| 159 | 1313223 | KNOB | 221 | 1313124 | WAVE WASHER |
| 160 | 1345233 | GUARD SUPPORT | 222 | 1313122 | BALL BEARING |
| 161 | 1345234 | PLATE | 223 | 1313126 | LOCKWASHER |
| 162 | 1243520 | (DIN 7980) M6.1 LOCK WASHER | 224 | 1313127 | SHAFT NUT |
| 163 | 1246128 | (DIN 933) M6 X 40MM HEX HD SCR | 225 | 1313129 | PULLEY |
| 164 | 1310310 | (DIN 1481) M3 X 18MM SPRING PIN | 226 | 34-674 | DRIVE BELT |
| 165 | 1313295 | ELEVATING SHAFT | 227 | 1246196 | EXT RET RING |
| 166 | 1313296 | ELEVATING NUT | 228 | 1310195 | SPECIAL WASHER |
| 167 | 901-01-010-1620 | FLAT WASHER | 229 | 1310143 | (DIN 85) M5 X 8MM PAN HD SCR |
| 168 | 1313297 | ELEVATING LINK | 230 | 1313360 | PULLEY COVER |
| | | | 231 | 1310158 | (DIN 84) M5 X 45MM CHEESE HD SCR |

| REF. NO. | PART NUMBER | DESCRIPTION |
|----------|-----------------|--------------------------------|
| * | 1248733 | STAND ASSY. <i>CONST OF:</i> |
| 350 | 1243398 | (DIN 934) M8 HEX NUT |
| 351 | 904-01-010-1606 | 3/8" FLAT WASHER |
| 352 | 1313325 | M8 X 16MM CARRIAGE HD SCR |
| 353 | 904-01-010-1606 | 3/8" FLAT WASHER |
| 354 | 1310105 | (DIN 933) M8 X 16MM HEX HD SCR |
| 355 | 1348734 | BRACKET |
| 356 | 904-01-010-1605 | 3/8" FLAT WASHER |
| 357 | 1243398 | (DIN 934) M8 HEX NUT |
| 358 | 1348735 | BRACKET |
| 359 | 1348736 | BRACKET |
| 360 | 1348737 | BRACKET |
| 361 | 1348738 | LEG |
| 362 | 1342381 | PLASTIC FOOT |



STANDARD SAFETY EQUIPMENT

In order to promote tool safety, Delta International Machinery Corp. strictly enforces the policy of repairing or replacing any damaged or missing standard safety equipment on machines presented to Delta Authorized Service Centers for service/repair. Any product which is presented to a Delta Authorized Service Center for repairs which contains missing or damaged standard safety equipment will have that equipment repaired or replaced and the customer will be charged for any such service/repairs. Customers can avoid such charges only if the missing safety component is supplied to the service center at the time of repair.

This parts list is provided to aid in obtaining service parts. Copies of the instruction and maintenance literature can be obtained through the Delta Technical Publications Department or through your local service outlet.