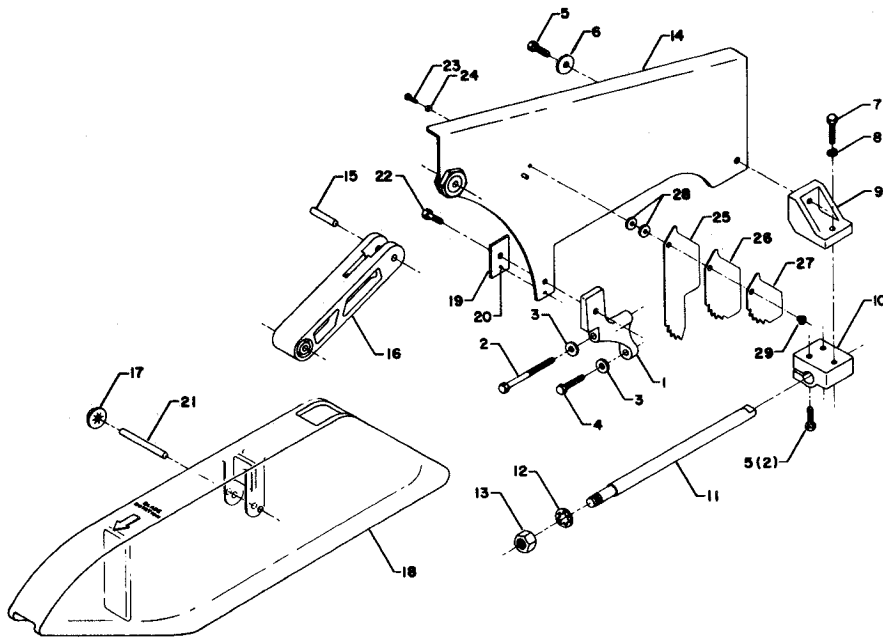




# 34-953 SAW GUARD, 34-937 UNIGUARD AND 34-936 SAW GUARD (OLD STYLE) FOR 12"-14" TILTING ARBOR SAW

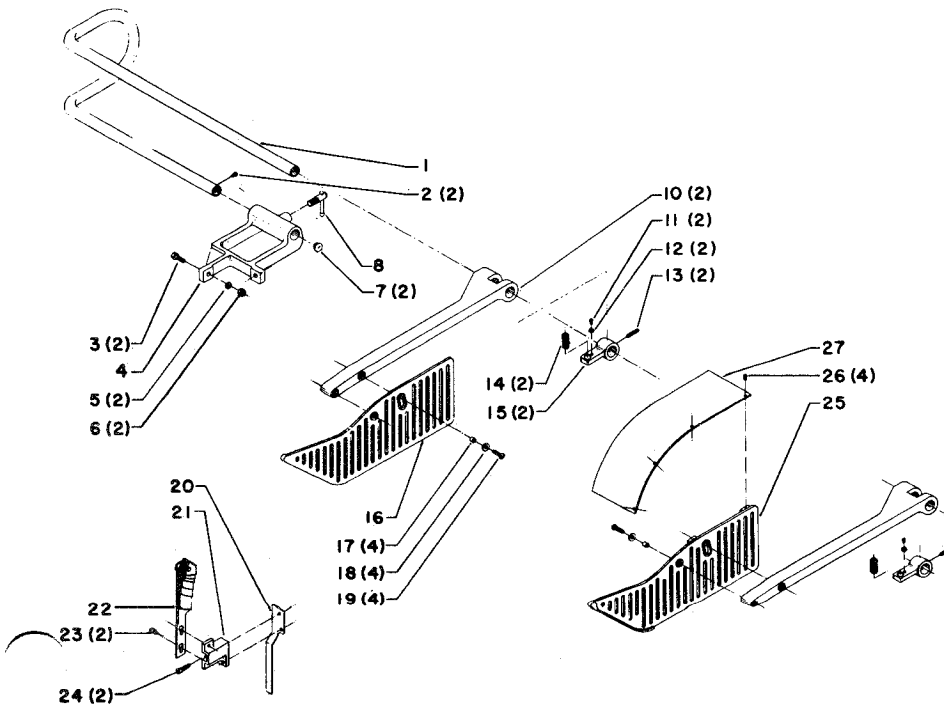
**CS-5A - 1**  
422-06-655-5013  
Dated 8-1-85

## 34-953 SAW GUARD

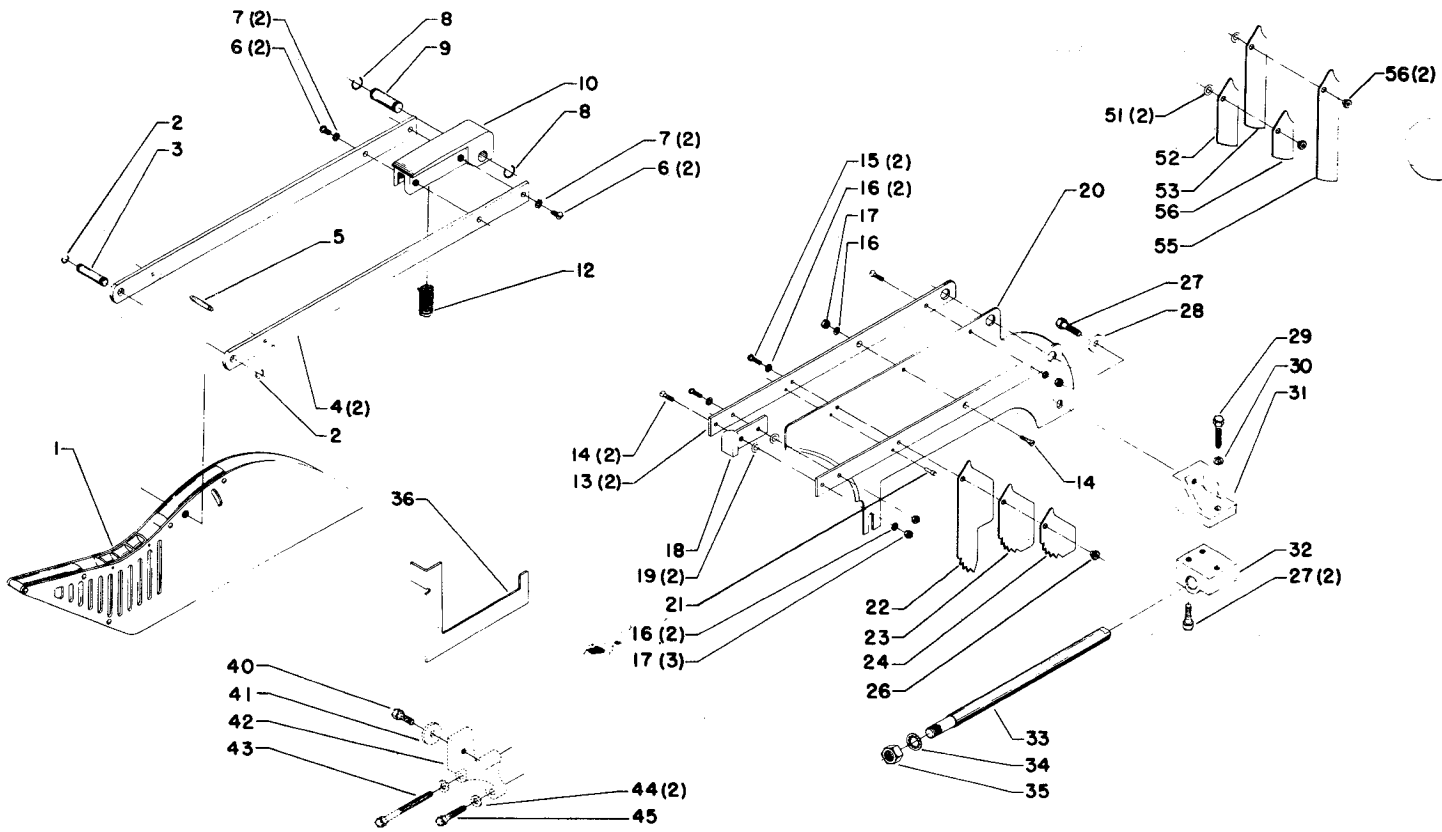


Ref. No.	Part No.	Description
1	422-06-014-5019	Mounting Bracket
2	901-01-060-3118	5/16-18 x 3" Hex Hd. Screw
3	904-01-010-1620	5/16" Washer
4	901-01-060-0602	5/16-18 x 1-1/4" Hex Hd. Screw
*	422-06-314-5004	Support Assy., Const. of:
5	901-01-060-0608	5/16-18 x 7/8" Hex Hd. Screw
6	904-01-031-7717	Special Washer
7	901-01-060-0602	5/16-18 x 1-1/4" Hex Hd. Screw
8	904-02-010-1703	5/16" Lockwasher
9	422-06-014-5009	Upper Bracket
10	422-06-014-5010	Lower Bracket
11	422-06-108-5004	Support Rod
12	904-03-020-1751	5/8" Int. Tooth Lockwasher
13	902-01-020-1226	5/8"-18 Hex Nut
*	422-06-354-5006	Guard Assy., Const. of:
14	422-06-386-5010	Splitter Assy., Incl.:
15	422-06-071-5006	Hinge Pivot Pin
16	422-06-135-5001	Hinge
17	961-02-043-1283	Push Nut
18	422-06-354-5007	Guard Assy.
19	422-06-327-5006	Clamp Assy., Incl.:
20	905-01-013-1112	1/8" x 1/4" Roll Pin
21	422-06-071-5007	Guard Pivot Pin
22	422-06-112-5009	Special Screw
23	901-02-010-0559	#10-32 x 1/2" Rd. Hd. Screw
24	904-03-020-1775	#10 Lockwasher
25	422-06-047-5011	Finger
26	422-06-047-5013	Finger
27	422-06-047-5012	Finger
28	904-01-031-4971	Washer
29	422-06-017-5004	Bushing

## 34-937 UNIGUARD



Ref. No.	Part No.	Description
1	1200011	Arm
2	901-06-130-3037	#10-32 x 5/16" Pan Hd. Scr.
3	901-01-060-0648	3/8-16 x 1-1/4" Hex Hd. Scr.
4	1200008	Bracket
5	904-02-010-1709	3/8" Split Lockwasher
6	902-01-010-5900	3/8"-16 Hex Nut
7	961-01-010-7473	Plug Button
8	422-04-412-0001	Screw Assembly
10	1200015	Guard Arm
11	901-02-010-0551	#10-32 x 1/4" Rd. Hd. Scr.
12	904-01-010-1603	1/4 x 9/16 x 3/64" Washer
13	901-04-150-0292	5/16-18 x 1-1/4" Soc. Set Scr.
14	1200028	Spring
15	1200003	Arm Bracket
16	1200010	Guard - L.H.
17	1200002	Spacer
18	904-01-031-5655	21/64 x 7/8 x 1/16" Washer
19	901-02-010-0508	5/16-18 x 1" Rd. Hd. Scr.
20	1200005	Splitter Finger Bracket
21	1200007	Splitter Bracket
22	1200012	Splitter Assembly
23	901-03-040-8015	1/4-20 x 1/2" Soc. Button Hd. Scr.
24	901-03-010-0750	5/16-18 x 1" Soc. Hd. Scr.
25	1200009	Guard - R.H.
26	901-02-010-7562	#10-32 x 5/16" Rd. Hd. Scr.
27	1200013	Cover



## 34-936 SAW GUARD (OLD STYLE)

Ref. No.	Part No.	Description
1	422-06-354-5003	Guard
2	904-15-010-7033	Retaining Ring
3	422-06-106-5011	Pivot Pin
4	422-06-004-5012	Arm
5	422-04-104-5007	Pin
6	901-02-010-0512	5/16 - 18 x 1/2" Rd. Hd. Screw
7	904-02-020-2086	5/16" Split Lockwasher
8	904-15-010-7034	Retaining Ring
9	422-06-106-5010	Hinge Pivot Pin
10	1202630	Hinge Assembly
12	928-01-020-7387	Spring
13 n	422-06-004-5015	Bar (Current Model)
13	422-06-004-5002	Bar (Early Model)
14	901-02-030-0455	#10 - 32 x 1/2" Flat Hd. Screw
15 n	901-02-010-7564	#10 - 32 x 9/16" Rd. Hd. Mach. Screw (Current Model)
15	901-02-010-0582	#10 - 32 x 5/8" Rd. Hd. Mach. Screw (Early Model)
16	904-03-020-1754	3/16" Internal Tooth Lockwasher
17	902-01-120-1203	#10 - 32 Hex Nut
18	422-04-010-5001	Guide Block
19	422-04-083-5001	Shim Washer
20	422-06-086-5003	Splitter
21	422-04-071-5003	Pin
22 n	422-06-047-5011	Anti-Kickback Finger (Current Model)
23 n	422-06-047-5013	Anti-Kickback Finger (Current Model)
24 n	422-06-047-5012	Anti-Kickback Finger (Current Model)
26 n	422-06-017-5004	Bushing (Current Model)
27	901-01-060-0608	5/16 - 18 x 7/8" Hex Hd. Screw

Ref. No.	Part No.	Description
28	904-01-031-2937	Special Washer
29	901-01-060-0602	5/16 - 18 x 1-1/4" Hex Hd. Screw
30	904-02-010-1703	5/16" Split Lockwasher
31	422-06-014-5009	Upper Splitter Bracket
32	422-06-014-5010	Lower Splitter Bracket
33	422-06-108-5004	Support Rod
34	904-03-020-1751	5/8" Internal Tooth Lockwasher
35	902-01-020-1226	5/8 - 18 Hex Jam Nut
36	422-06-089-5001	Holder (Early Model Only)
51	422-04-083-5001	Shim Washer
52	422-04-047-5002	Anti-Kickback Finger (Early Model)
53	422-06-047-5010	Anti-Kickback Finger (Early Model)
54	422-06-047-5002	Anti-Kickback Finger (Early Model)
55	422-06-047-5003	Anti-Kickback Finger (Early Model)
56	904-10-041-2054	Bushing (Early Model)

NOTE: THE FOLLOWING PARTS ARE INCLUDED WITH THE 12" - 14" TILTING ARBOR SAW

40	901-01-060-0607	5/16 - 18 x 3/4" Hex Hd. Screw
41	904-01-031-7717	Special Washer
42	422-06-014-5019	Splitter Mounting Bracket
43	901-01-060-3118	5/16 - 18 x 3" Hex Hd. Screw
44	904-01-010-1620	11/32 x 11/16 x .065" Washer
45	901-01-060-0602	5/16 - 18 x 1-1/4" Hex Hd. Screw