

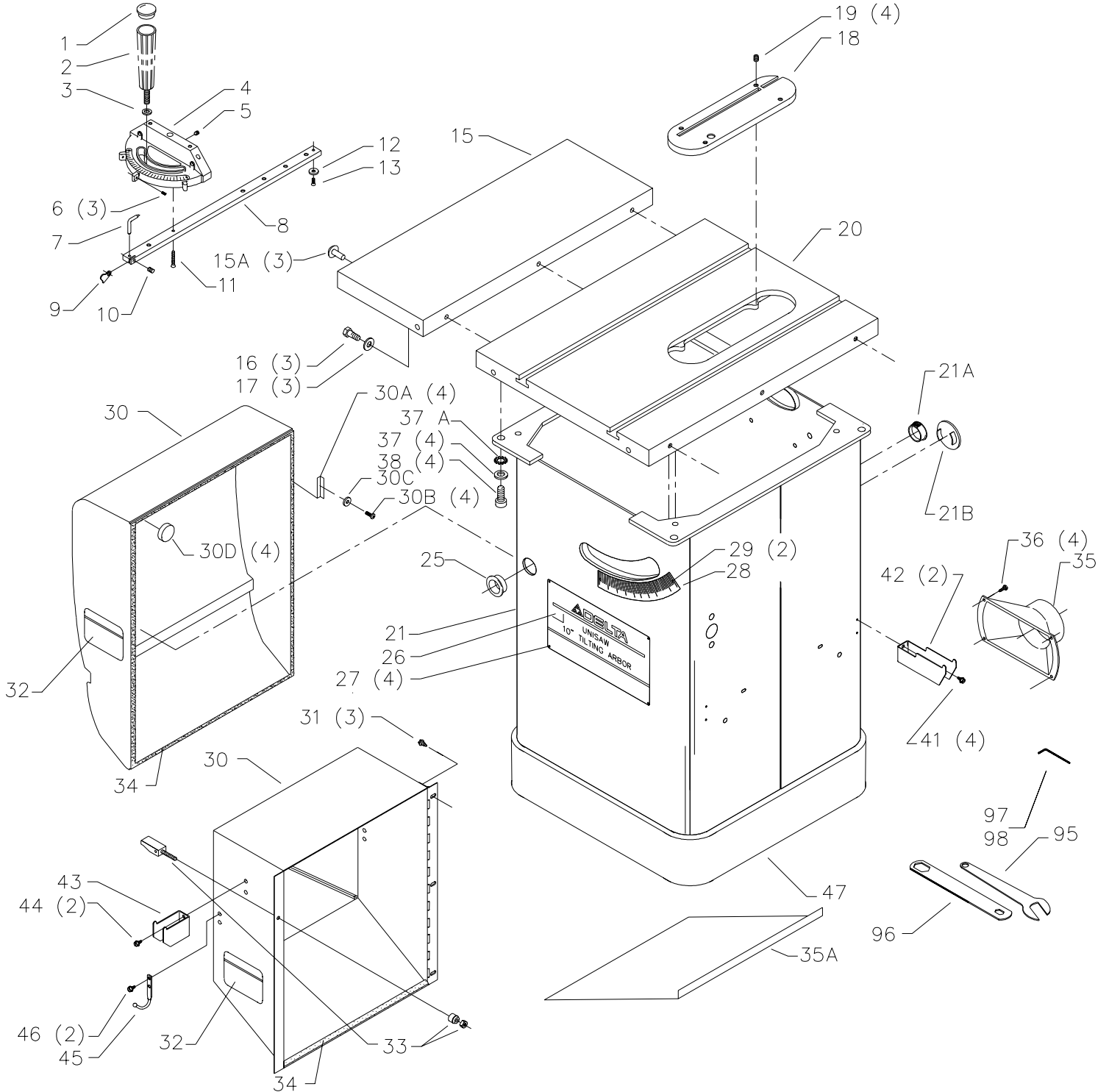


34-778L, 34-783L, 36-820L, 36-821L,  
36-878L, 36-883L, 36-884L, 36-951,  
& 36-953  
UNISAW® LEFT TILT  
10" TILTING ARBOR SAW

CS-4K-13

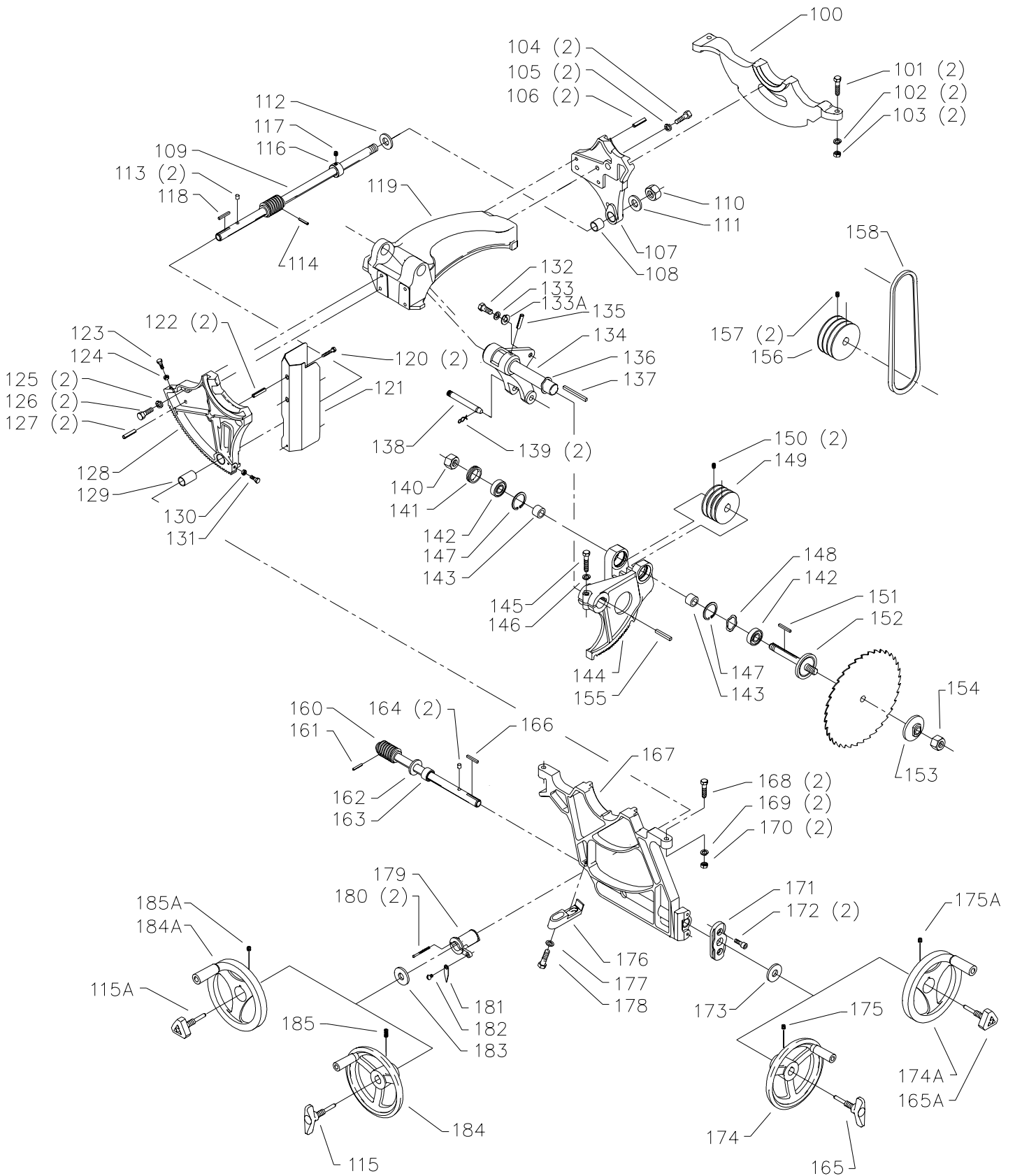
PART NO. 422-40-651-0015

DATE: 06-08-04



# REPLACEMENT PARTS

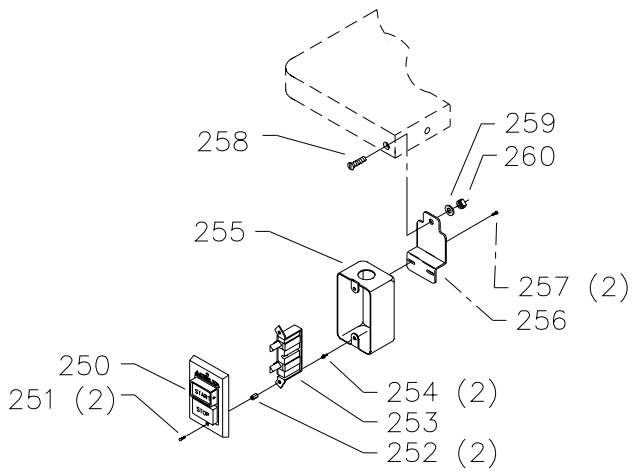
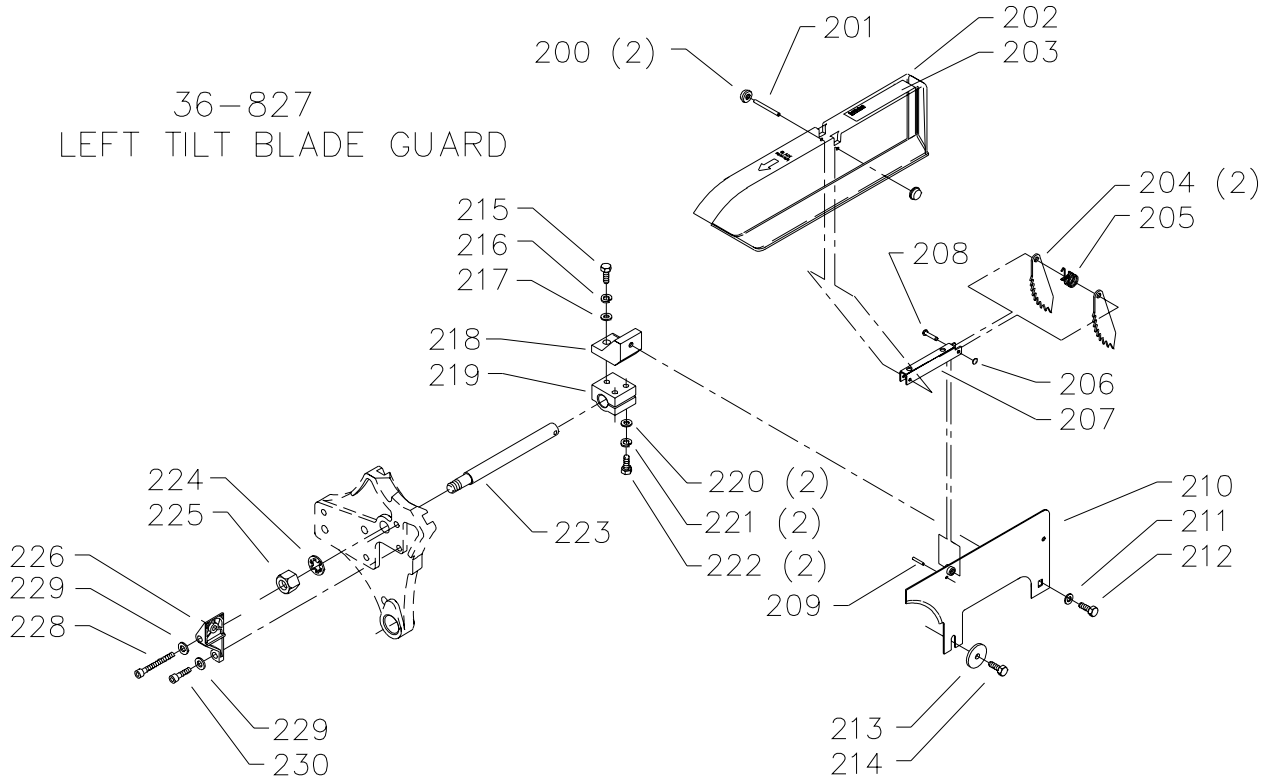
Ref.	No.	Part No.	Description
	*	34-895	MITER GAGE, INCL.:
	1	422-02-074-0001	PLUG
	2	422-02-060-0003	HANDLE
	3	904-07-010-5555	1/4" FIBER WASHER
	4	422-01-355-0004	MITER GAGE BODY, INCL.:
	5	901-04-150-1181	1/4-28 X 3/16" HEX SOC SET SCREW
	6	901-04-150-9428	#08-32 X 1/2" HEX SOC SET SCREW
	7	422-01-075-0001	POINTER
	8	422-04-004-0001	BAR, INCL.:
	9	422-01-088-0004	STOP LINK
	10	901-04-150-1181	1/4-28 X 3/16" HEX SOC SET SCREW
	11	422-01-112-0001	SCREW
	12	422-04-072-0001	PLATE
	13	901-02-030-5750	1/4-28 X 5/16" FLAT HD SCREW
	15	36-937	EXTENSION TABLE, INCL.:
	15A	438-01-011-0077	HOLE PLUG, T2
	16	901-01-060-9964	7/16-20 X 1 1/4" HEX HD SCREW
	17	904-10-031-2097	7/16" FLAT WASHER
	18	36-861	STANDARD INSERT, INCL.:
	19	901-04-461-5297	1/4-28 X 3/8" HEX SOC SET SCREW
	20	422-40-391-0001	TABLE
	21	422-40-318-0006	CABINET ASSY, INCL.:
		422-40-318-0002	CABINET ASSY, INCL.:
	21A	438-01-011-0065	HOLE PLUG - 1 1/2" DIA, (36-951, 36-954 ONLY)
	21B	438-01-011-0074	HOLE PLUG - 2" DIA, (36-951, 36-954 ONLY)
	25	438-01-011-0021	INSULATOR
	26	422-04-137-0011	NAMEPLATE, T2
		422-40-137-0001	NAMEPLATE, T1
	27	1087794	RIVET
	28	422-40-132-0002	TILT SCALE, T2
		422-40-132-0001	TILT SCALE, T1
	29	1087794	RIVET
	30	422-04-331-0014	MOTOR COVER, INCL.:
		422-04-331-0002	HINGED MOTOR COVER, INCL.:
	30A	422-04-122-0005	SPRING CLIP 1 5/8" LONG, CURRENT T2
		422-04-122-0004	SPRING CLIP 1 1/4" LONG, EARLY T2
	30B	901-02-453-1123	10-32 X 1/2" PAN HD SCREW, T2
	30C	904-01-013-1868	FLAT WASHER, T2
	30D	410-09-016-0004	BUMPERS
	31	901-05-213-1498	#10 X 1/2" HEX WASHER HD SCREW, T1
	32	422-04-752-0184	WARNING LABEL, T2
		422-04-752-0175	WARNING LABEL, T1
	33	537-85-004-0001	LATCH W/BUSH & NUT, T1
	34	400-06-416-0003	GASKET CURRENT T2 - 1/2" THICK
		400-06-416-0001	GASKET, T1 & EARLY T2 - 1/4" THICK
	35	406-12-026-0001	DUST CHUTE, T2
	35A	422-04-026-0003	DUST CHUTE, T1
	36	901-05-213-1498	#10 X 1/2" HEX WASHER HD SCREW
	37	904-10-031-2097	WASHER
	37A	904-03-030-1771	7/16", LOCK WASHER
	38	901-03-010-1487	7/16-20 X 3/4" HEX SOC HD SCREW
	41	901-05-213-1498	#10 X 1/2" HEX WASHER HD SCREW
	42	422-35-014-0002	RIP FENCE HOLDER
	43	422-35-014-0001	MITER GAGE HOLDER, T1
	44	901-05-213-1498	#10 X 1/2" HEX WASHER HD SCREW, T1
	45	422-35-060-0001	WRENCH HOOK, T1
	46	901-05-213-1498	#10 X 1/2" HEX WASHER HD SCREW, T1
	47	422-04-305-0001	SUB BASE
	95	955-01-050-1472	WRENCH
	96	422-39-101-0001	WRENCH -7/8 X 1/2"
	97	955-03-010-0001	1/8" HEX WRENCH
	98	955-03-010-2155	5/64" HEX WRENCH
	**	422-40-725-0001	SWITCH HDWE PACKAGE
	**	422-04-725-0006	EXT. WING HDWE PACKAGE
	**	422-04-725-0002	SPLITTER HDWE PACKAGE
			USE ITEMS LISTED BELOW TO MOUNT CABINET TO SUB-BASE
	**	901-11-020-0834	5/16-18 X 3/4" CARRAGE HD SCREW
	**	902-01-503-1514	5/16-18 FLANGED NUT, T2
	*	904-01-010-1620	FLAT WASHERWASHER (TO MOUNT BASE), T1
	*	904-02-010-1703	5/16 LOCKWASHER, T1
	*		NOT SHOWN ASSEMBLED
	**		NOT SHOWN



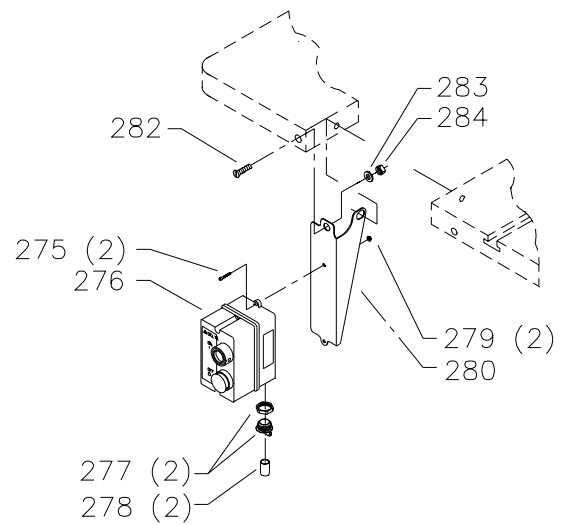
# REPLACEMENT PARTS

<u>Ref.</u>	<u>Part No.</u>	<u>Description</u>	<u>Ref.</u>	<u>Part No.</u>	<u>Description</u>
100	422-04-014-0042	TRUNNION BRACKET - REAR	158	49-124	V-BELTS - MATCHED SET OF THREE
101	901-01-060-0682	3/8-24 X 1 1/2" HEX HD SCREW	160	422-04-406-5001	TILT SHAFT W/WORM, INCL:
102	904-02-020-1704	3/8" LOCK WASHER	161	905-01-010-2706	3/16" X 1" SPRING PIN
103	902-01-010-1207	3/8-24 HEX NUT	162	904-01-021-3577	3/4" FIBER WASHER
104	901-03-010-0775	3/8-16 X 1" HEX SOC HD SCREW	163	904-10-031-4509	COLLAR
105	904-02-020-1704	3/8" LOCK WASHER	164	422-04-074-0001	PLUG
106	905-01-010-2734	5/16" X 1" SPRING PIN	165	422-04-412-0009	LOCK KNOB
107	422-40-395-0002	TRUNNION - REAR, INCL:	165A	422-04-412-0007	LOCK KNOB (EMO T1)
108	920-75-011-3934	BEARING	166	927-03-010-2650	1 3/8" KEY
*	422-04-406-5002	RAISING SHAFT ASSY, INCL.:	167	422-40-014-0001	FRONT TRUNNION BRACKET
109	422-04-406-0001	SHAFT W/WORM, INCL:	168	901-01-060-0682	3/8-24 X 1 1/2" HEX HD SCREW
110	902-01-210-1036	3/4-16 LOCK NUT	169	904-02-020-1704	3/8" LOCK WASHER
111	904-01-021-3577	3/4" FIBER WASHER	170	902-01-010-1207	3/8-24 HEX NUT
112	904-01-021-3577	3/4" FIBER WASHER	171	422-04-031-0015	COVER PLATE, T1
113	422-04-074-0001	PLUG	172	901-03-040-8016	5/16-18 X 3/4" HEX SOC HD SCREW, T2
114	905-01-010-2706	3/16" X 1" SPRING PIN		901-03-010-0750	5/16-18 X 1" HEX SOC HD SCREW, T1
115	422-04-412-0009	LOCK KNOB	173	904-07-010-5569	3/4" FIBER WASHER
115A	422-04-412-0007	LOCK KNOB (EMO T1)	174	422-04-400-0005	HANDWHEEL, INCL:
116	434-01-404-0001	COLLAR, INCL:	174A	930-03-991-0468	HANDWHEEL, INCL:
117	901-04-190-0201	5/16-18 X 5/16" HEX SOC SET SCREW	175	901-04-190-0201	5/16-18 X 5/16" HEX SOC SET SCREW
118	927-03-010-2650	1 3/8" KEY	175A	901-04-190-0201	5/16-18 X 5/16" HEX SOC SET SCREW
119	422-40-102-0001	YOKE	176	422-04-055-0006	GUIDE BLOCK
120	901-01-060-0613	5/16-18 X 1 3/4" HEX HD SCREW	177	904-10-031-2097	WASHER
121	422-40-036-0001	DUST DEFLECTOR	178	901-01-060-0681	7/16-20 X 1 1/2" HEX HD SCREW
122	422-04-104-5005	SLEEVE	179	422-04-014-2008	POINTER BRACKET
123	901-01-060-5769	5/16-24 X 1" HEX HD SCREW	180	0919714	#08-32 X 2" FILL HD SCREW
124	902-01-020-1228	5/16-24 JAM NUT	181	422-40-075-0001	POINTER
125	904-02-020-1704	3/8" LOCK WASHER	182	901-06-110-3036	1/4-20 X 3/8" ROUND HD SCREW
126	901-03-010-0775	3/8-16 X 1" HEX SOC HD SCREW	183	904-07-010-5569	3/4" FIBER WASHER
127	905-01-010-2734	5/16" X 1" SPRING PIN	184	422-04-400-0005	HANDWHEEL, INCL:
128	422-40-395-0001	FRONT TRUNNION, INCL:	184A	930-03-991-0468	HANDWHEEL, INCL:
129	920-75-011-3935	BUSHING	185	901-04-190-0201	5/16-18 X 5/16" HEX SOC SET SCREW
130	902-01-020-1228	5/16-24 JAM NUT	185A	901-04-190-0201	5/16-18 X 5/16" HEX SOC SET SCREW
131	901-01-060-5769	5/16-24 X 1" HEX HD SCREW	**	n 438-02-314-6204	1PH, 3HP, 230V MOTOR - WEG
132	901-01-060-0664	7/16-20 X 1" HEX HD SCREW	**	83-653	1PH, 3HP, 230V MOTOR - MARATHON
133	904-10-031-2097	WASHER	**	n 438-02-314-6203	1PH, 5HP, 230V MOTOR - WEG
133A	904-03-030-1771	7/16" LOCK WASHER, T2	**	83-672	1PH, 5HP, 230V MOTOR - MARATHON
134	422-40-314-0004	MOTOR BRACKET W/SHAFT, INCL:	**	n 438-02-314-6205	3PH, 5HP, 230/460V MOTOR - WEG
135	905-01-010-5072	1/4" X 2" SPRING PIN	**	86-965	3PH, 5HP, 230V MOTOR - MARATHON
136	928-06-011-4128	1 1/4" WAVE WASHER			
137	927-03-010-2657	2.937" KEY	*		NOT SHOWN ASSEMBLED
138	422-04-071-5001	STEEL PIN	**		NOT SHOWN
139	422-04-079-5001	SPRING CLIP			
*	422-40-314-0002	ARBOR BRACKET, INCL.:			
140	902-01-200-9847	SPECIAL NUT			
141	902-07-020-7176	BEARING CLOSURE NUT			
142	1086894	BALL BEARING			
143	422-04-104-0002	SPACER			
144	422-40-314-0003	ARBOR BRACKET, INCL:			
145	901-01-060-3102	3/8-16 X 1 3/4" HEX HD SCREW			
146	904-02-020-1704	3/8" LOCK WASHER			
147	904-15-101-7147	INTERNAL RETAINING RING			
148	928-06-020-7382	LOAD SPRING			
149	926-03-991-2328	ARBOR PULLEY, INCL:			
150	0908653	5/16-18 X 3/8" HEX SOC HD SCREW			
151	927-03-020-2660	1 1/2" KEY			
152	422-40-303-0002	ARBOR W/FLANGE			
153	422-04-103-5001	FLANGE			
154	902-01-201-2571	.656-12 JAM NUT			
155	927-03-010-2653	1 15/16" KEY			
156	41-644	MOTOR PULLEY, INCL:			
157	0908653	5/16-18 X 3/8" HEX SOC HD SCREW			

36-827  
LEFT TILT BLADE GUARD



FOR USE WITH  
LVC MODELS ONLY



FOR (GPE) MODELS ONLY

# REPLACEMENT PARTS

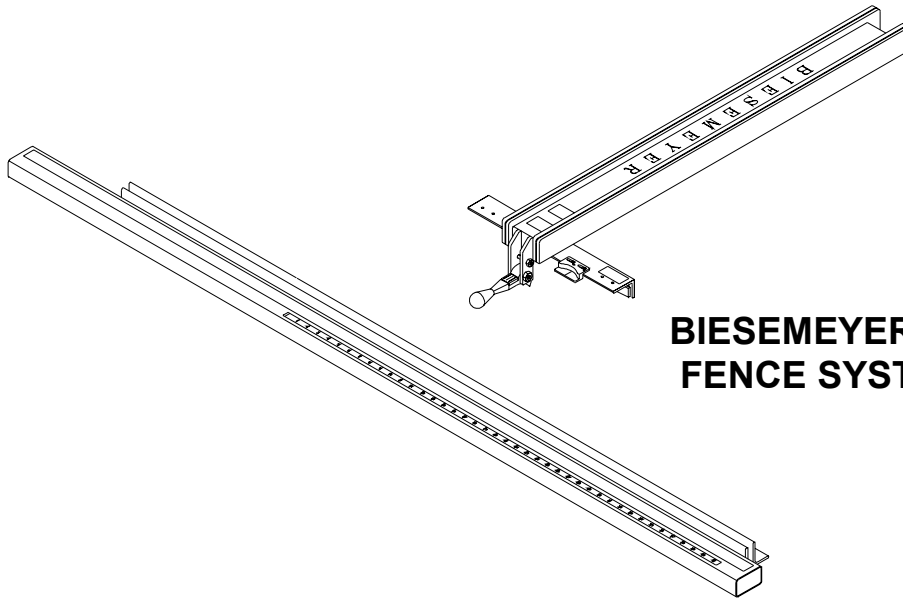
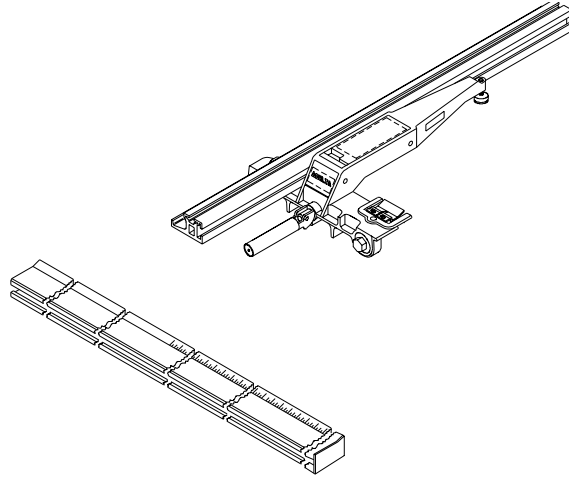
Ref.

<u>No.</u>	<u>Part No.</u>	<u>Description</u>
*	736827	LEFT TILT BLADE GUARD COMP, INCL.:
*	422-40-354-0003	LEFT TILT BLADE GUARD ASSY, INCL.:
200	1086388	PUSH NUT CAP
201	1087811	PIN
202	422-40-354-0004	LEFT TILT BLADE GUARD, INCL.:
203	422-40-754-0002	WARNING LABEL, T2
	422-40-754-0001	WARNING LABEL, T1
204	422-16-047-0001	KICK BACK FINGER
205	1086353	SPRING
206	1086387	PUSH NUT
207	1086337	PIVOT BRACKET
208	422-04-071-0007	PIN
209	905-01-010-6729	5/32" X 11/16" SPRING PIN
210	422-04-086-0002	SPLITTER W/BUSHING
211	904-01-010-1620	FLAT WASHER
212	901-01-060-0649	5/16-18 X 1" HEX HD SCREW
213	422-03-072-0001	PLATE
214	901-01-060-0649	5/16-18 X 1" HEX HD SCREW
215	901-01-060-0649	5/16-18 X 1" HEX HD SCREW
216	904-02-010-1703	5/16" LOCK WASHER
217	904-01-010-1620	FLAT WASHER
218	422-04-014-0018	BRACKET
219	422-04-014-0019	BRACKET
220	904-01-010-1620	5/16" FLAT WASHER
221	904-02-010-1703	5/16" LOCK WASHER
222	901-01-060-0649	5/16-18 X 1" HEX HD SCREW
223	422-04-089-0003	SUPPORT ROD
224	904-03-020-1751	5/8" INT TOOTH WASHER
225	902-01-020-1226	5/8-18 JAM NUT
226	422-40-014-0005	SPLITTER MOUNTING BRACKET
228	901-03-013-1698	5/16-18 X 2" HEX SOC HD SCREW
229	904-01-010-1620	5/16" FLAT WASHER
230	901-03-010-0757	5/16-18 X 3/4" HEX SOC HD SCREW
250	1340100	SWITCH COVER ASSY
251	901-02-010-0567	#06-32 X 1/4" ROUND HD SCREW
252	402-07-104-5007	SPACER
253	438-01-017-0101	MAGNETIC SWITCH
254	402-07-111-5002	STUD
255	438-01-001-0036	SWITCH BOX
256	422-40-014-0006	MOUNTING BRACKET (LVC)
257	901-05-163-1126	#08-32 X 5/16" PAN HD SCREW
258	901-03-033-1881	5/16-18 X 1 1/4" FLAT HD SCREW
259	904-01-010-1620	FLAT WASHER
260	902-01-010-1300	5/16-18 HEX NUT
275	901-02-453-1123	#10-32 X 1/2" PAN HD SCREW
276	n 438-01-016-0204	STARTER, GPE, 5HP, 1PH, 230V
	438-01-016-0199	STARTER, GPE, 3HP, 1PH, 230V
277	438-01-004-0007	CORD CLAMP
278	438-01-011-0054	INSULATOR SLEEVE
279	902-01-293-1513	#10-32 KEPS NUT
280	n 422-40-014-0014	MOUNTING BRACKET
282	901-03-033-1881	5/16-18 X 1 1/4" FLAT HD SCREW
283	904-01-010-1620	5/16" FLAT WASHER
284	902-01-010-1300	5/16-18 HEX NUT

\* NOT SHOWN ASSEMBLED

# FENCE OPTIONS

## DELTA 52" UNIFENCE SAW GUIDE



## BIESEMEYER T-SQUARE FENCE SYSTEM

---

### STANDARD SAFETY EQUIPMENT

In order to promote tool safety, Delta Machinery strictly enforces the policy of repairing or replacing any damaged or missing standard safety equipment on machines presented to Delta Authorized Service Centers for service/repairs. Any product that is presented to a Delta Authorized Service Centers for repairs which contains missing or damaged standard safety equipment will have that equipment repaired or replaced and the customer will be charged for any such service/repairs. Customers can avoid such charges only if the missing safety component is supplied to the service center at the time of repair.

*This parts list is provided to aid in obtaining service parts. Copies of the instruction and maintenance literature can be obtained through the Delta Technical Publications Department or through your service outlet.*