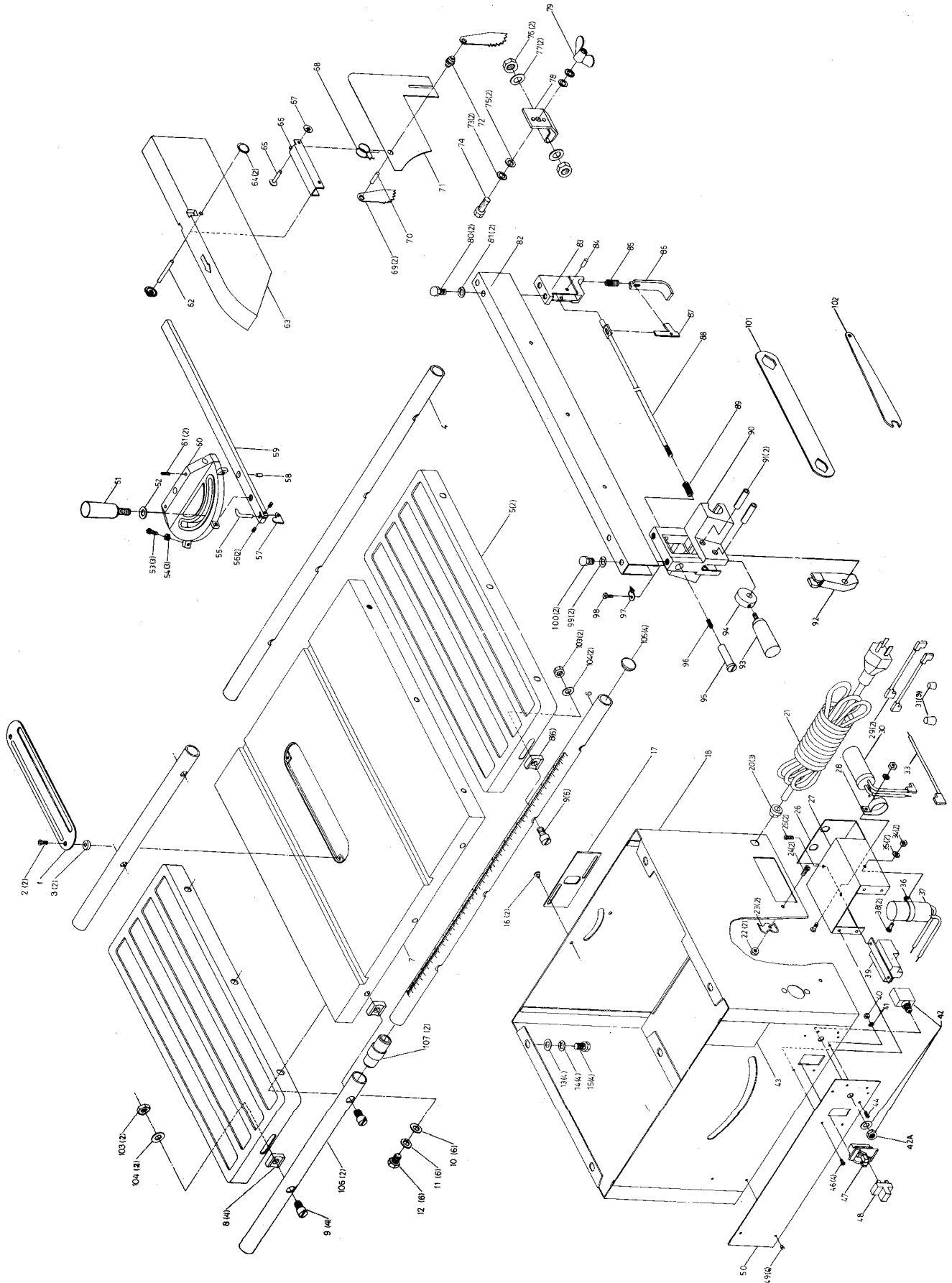


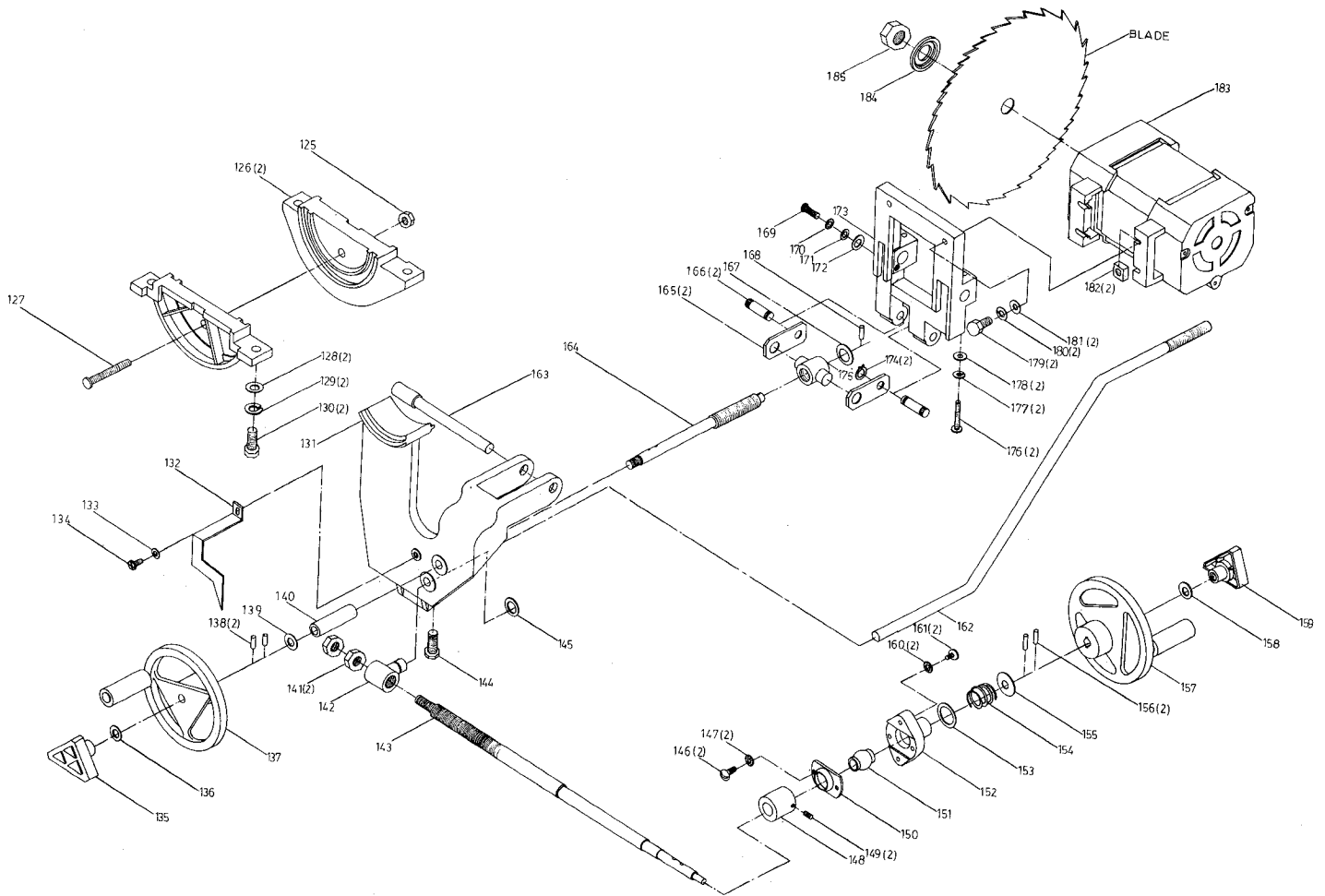
## 34-740 10" MOTORIZED SAW (For Units W/Serial No. 9117 And Lower)



## REPLACEMENT PARTS

Ref. No.	Part No.	Description	Ref. No.	Part No.	Description
1	1313350	Table Insert, Incl.:	*	34-779	Miter Gage Assembly, Const Of:
2	1246135	(DIN 963) M6 X 16mm Slot Fl. Hd. Screw	51	1313240	Hand Knob
3	1313226	Rubber Washer	52	1313241	Special Washer
4	1342660	Rear Guide Rail	53	1310161	(DIN 85) M4 X 18mm Slot Pan Hd. Screw
5	1313215	Extension Wing	54	1243569	(DIN 934) M4 Hex Nut
6	1342661	Front Guide Rail	55	1313243	Pointer
7	1313214	Table	56	1310055	(DIN 913) M6 X 6mm Hex Soc. Set Screw
8	1342662	Spacer	57	1313245	Stop
9	1342663	Special Screw	58	1313247	Pin
10	904-01-010-1605	5/16" Flat Washer	59	1313244	Guide Bar
11	904-02-010-1703	5/16" Lock Washer	60	1313242	Miter Gage Body
12	1310105	(DIN 933) M8 X 16mm Hex Hd. Cap Screw	61	1310055	(DIN 913) M6 X 6mm Hex Soc. Set Screw
13	904-01-010-1605	5/16" Flat Washer	*	1313282	Guard Assembly; consisting of:
14	904-02-010-1703	5/16" Lock Washer	62	1313271	Pin
15	1310105	(DIN 933) M8 X 16mm Hex Hd. Cap Screw	63	1313272	Blade Guard
16	1313218	Push Pin	64	1313270	Push Nut
17	1313219	Cover	65	1313273	Pin
18	1342664	Cabinet	66	1313274	Guard Bracket
20	438-01-004-0062	Strain Relief Bushing	67	1313275	Lock Ring
21	1087496	Power Cord	68	1313276	Spring
22	1243395	(DIN 934) M5 Hex Nut	69	1313279	Anti-Kickback Finger
23	1313220	Cable Clamp	70	1310311	(DIN 1481) #4 X 22mm Roll Pin
24	1310162	(DIN 85) M5 X 12mm Slot Pan Hd. Screw	71	1313277	Splitter
25	1310143	(DIN 85) M5 X 8mm Slot Pan Hd. Screw	72	1313278	Bushing
26	1342665	Cover Plate	73	904-03-030-1757	1/4" Ext. Tooth Lockwasher
27	1342666	Switch Box	74	1246015	(DIN 933) M6 X 20mm Hex Hd. Cap Screw
28	1342705	Clamp	75	904-01-010-1604	1/4" Flat Washer
29	1342370	Jumper Wire	76	1243476	(DIN 934) M12 Hex Nut
30	1342708	Capacitor	77	904-01-010-1608	1/2" Flat Washer
31	438-01-007-0042	Wire Nut	78	1313280	Bracket
33	1342371	Jumper Wire	79	1313281	(DIN 315) M6 Wing Nut
34	1243395	(DIN 934) M5 Hex Nut	*	1342673	Fence Assembly; consisting of:
35	1320101	(DIN 6797A) M5 Ext. Tooth Lockwasher	80	1341153	(DIN 933) M8 X 12mm Hex Hd. Cap Screw
36	1342706	Clamp	81	1246157	(DIN 7980) M8 Lockwasher
37	1342668	Capacitor	82	1342674	Fence
38	1243394	(DIN 84) M5 X 10mm Slot Cheese Hd. Screw	83	1342675	Rear Clamp Block
39	438-01-015-0032	Relay	84	1342676	Pin
40	1243395	(DIN 934) M5 Hex Nut	85	1342677	Spring
41	1320101	(DIN 6797A) M5 Ext. Tooth Lockwasher	86	1342678	Rear Clamp Hook
42	1313229	Switch w/Plate, Incl.:	87	1342679	Lever
42A	1313234	Hex Nut	88	1342680	Lock Rod
43	1313205	Warning Label	89	1342681	Spring
44	1243394	(DIN 84) M5 X 10mm Slot Cheese Hd. Screw	90	1342682	Front Block
46	1310143	(DIN 85) M5 X 8mm Slot Pan Hd. Screw	91	1342683	Pin
47	438-01-017-0140	Switch, Incl.:	92	1342684	Lever
48	400-06-068-0002	Switch Key	93	1342685	Handle
49	1087576	Sheet Metal Screw	94	1342686	Eccentric
50	1342671	Nameplate	95	1342687	Adjusting Screw
			96	1342688	Spring
			97	1342689	Pointer
			98	1340490	(DIN 84) M4 X 8mm Slot Cheese Hd. Screw
			99	1246157	(DIN 7980) M8 Lockwasher
			100	1246078	(DIN 933) M8 X 15mm Hex Hd. Cap Screw
			101	1313197	5/16" Hex Arbor Wrench
			102	1342690	13mm Open End Wrench
			103	1243398	(DIN 934) M8 Hex Nut
			104	904-01-031-2926	5/16" Flat Washer
			105	1342691	End Plug
			106	1342709	Rail
			107	1342710	Adapter

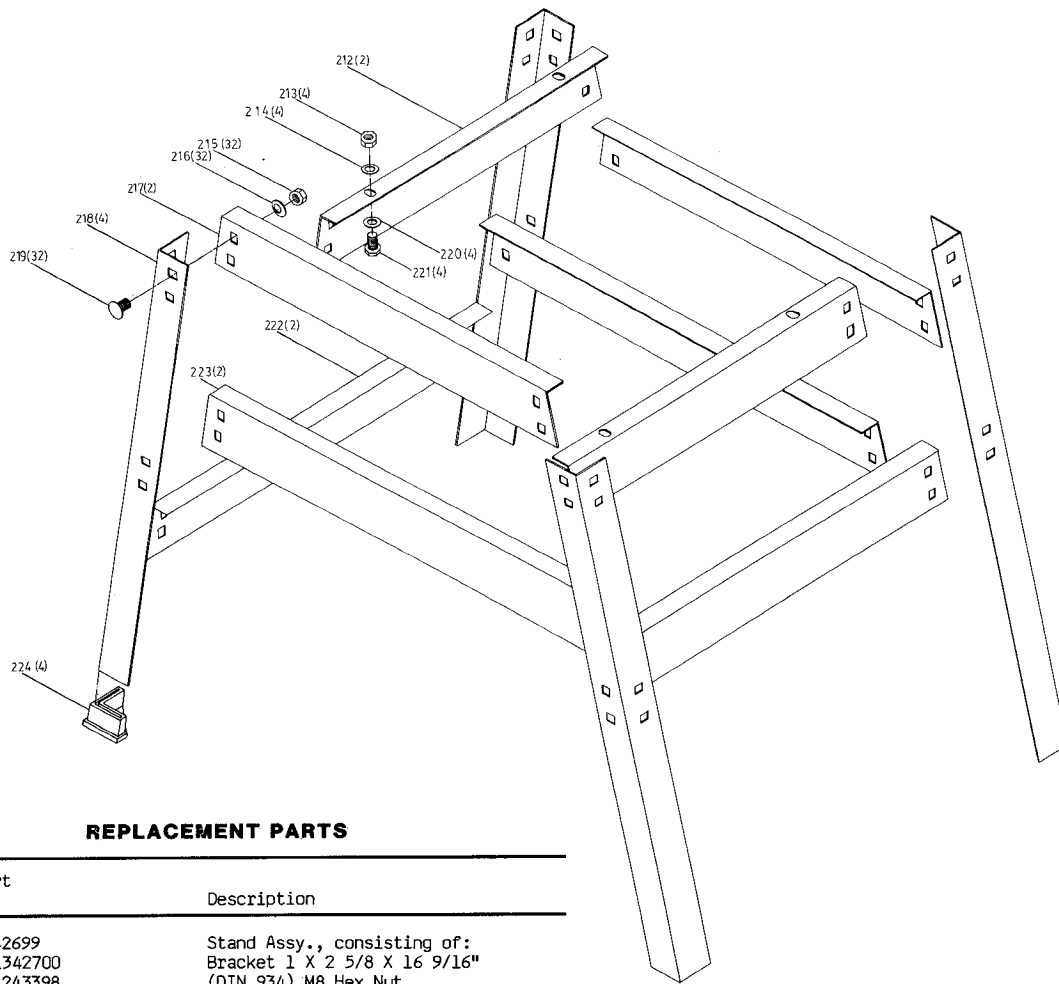
\* NOT SHOWN ASSEMBLED



### REPLACEMENT PARTS

Ref. No.	Part No.	Description	Ref. No.	Part No.	Description
125	1313148	(DIN 985) M6 Lock Nut	156	1310310	(DIN 1481) #3 X 18mm Roll Pin
126	1313286	Trunnion Bracket	157	1086491	Hand Wheel Assembly
127	1310154	(DIN 85) M6 X 65mm Slot Pan Hd. Screw	158	1313239	Plastic Washer
128	904-01-010-1605	5/16" Flat Washer	159	1313223	Knob
129	904-02-010-1703	5/16" Lock Washer	160	1243520	(DIN 7980) M6 Lock Washer
130	1246016	(DIN 933) M8 X 25mm Hex Hd. Cap Screw	161	1342610	(DIN 571) M6 X 20mm Lag Hex Hd. Screw
131	1313288	Trunnion	162	1342692	Guard Mounting Rod
132	1313287	Pointer	163	1342693	Pivot Pin
133	904-03-030-1795	3/16" Ext. Tooth Lockwasher	164	1342694	Elevating Shaft
134	1310155	(DIN 84) M5 X 8mm Slot Cheese Hd. Screw	165	1313297	Elevating Link
135	1313223	Knob	166	1342707	Pin
136	1313239	Plastic Washer	167	904-01-010-1620	5/16" Flat Washer
137	1086491	Hand Wheel Assembly	168	1310310	(DIN 1481) #3 X 18mm Roll Pin
138	1310310	(DIN 1481) #3 X 18mm Roll Pin	169	1313306	(DIN 7513A) M6 X 18mm Pan Hd. Screw
139	904-01-010-1606	3/8" Flat Washer	170	904-03-030-1757	1/4" Ext. Tooth Lock Washer
140	1313300	Spacer	171	904-01-010-1603	1/4" Flat Washer
141	1243496	(DIN 934) M10 Hex Nut	172	1243526	(DIN 125) M8 Flat Washer
142	1313301	Tilt Nut	173	1342695	Motor Bracket
143	1313305	Tilt Shaft	174	1330258	Ext. Retaining Ring
144	1310105	(DIN 933) M8 X 16mm Hex Hd. Cap Screw	175	1342696	Elevating Nut
145	1313299	O-Ring	176	1246091	(DIN 84) M6 X 50mm Cheese Hd. Screw
146	1342611	(DIN 571) M8 X 24mm Lag Hex Hd. Screw	177	904-02-020-1702	1/4" Lock Washer
147	1246157	(DIN 7980) M8 Lockwasher	178	904-01-010-1603	1/4" Flat Washer
148	1313302	Collar	179	1246128	(DIN 933) M6 X 40mm Hex Hd. Cap Screw
149	1310055	(DIN 913) M6 X 8mm Hex Soc. Set Screw	180	904-02-020-1702	1/4" Lock Washer
150	1313303	Bearing Block	181	904-01-010-1603	1/4" Flat Washer
151	1313304	Hub Ball Bearing	182	1342697	M6 Sq. Nut
152	1313307	Bearing Block	183	1342698	Motor
153	1313309	Special Washer	184	1313292	Arbor Flange
154	1313310	Spring	185	902-01-201-2567	5/8" L. H. Arbor Nut
155	1313311	Special Washer			

This parts list is provided to aid in obtaining service parts. Operational and maintenance information is contained in a separate owner's manual which is available through your local service outlet.



**REPLACEMENT PARTS**

Ref. No.	Part No.	Description
*	1342699	Stand Assy., consisting of:
212	1342700	Bracket 1 X 2 5/8 X 16 9/16"
213	1243398	(DIN 934) M8 Hex Nut
214	904-01-010-1606	3/8" Flat Washer
215	1243398	(DIN 934) M8 Hex Nut
216	904-01-010-1606	3/8" Flat Washer
217	1342701	Bracket 1 X 2 5/8 X 18 7/8"
218	1342702	Leg
219	1313325	M8 X 16mm Carriage Bolt
220	904-01-010-1606	3/8" Flat Washer
221	1310105	(DIN 933) M8 X 16mm Hex Hd. Cap Screw
222	1342703	Bracket 1 X 2 5/8 X 19 31/32"
223	1342704	Bracket 1 X 2 5/8 X 22 1/4"
224	1342381	Foot

\* NOT SHOWN ASSEMBLED

**WIRING DIAGRAM**

