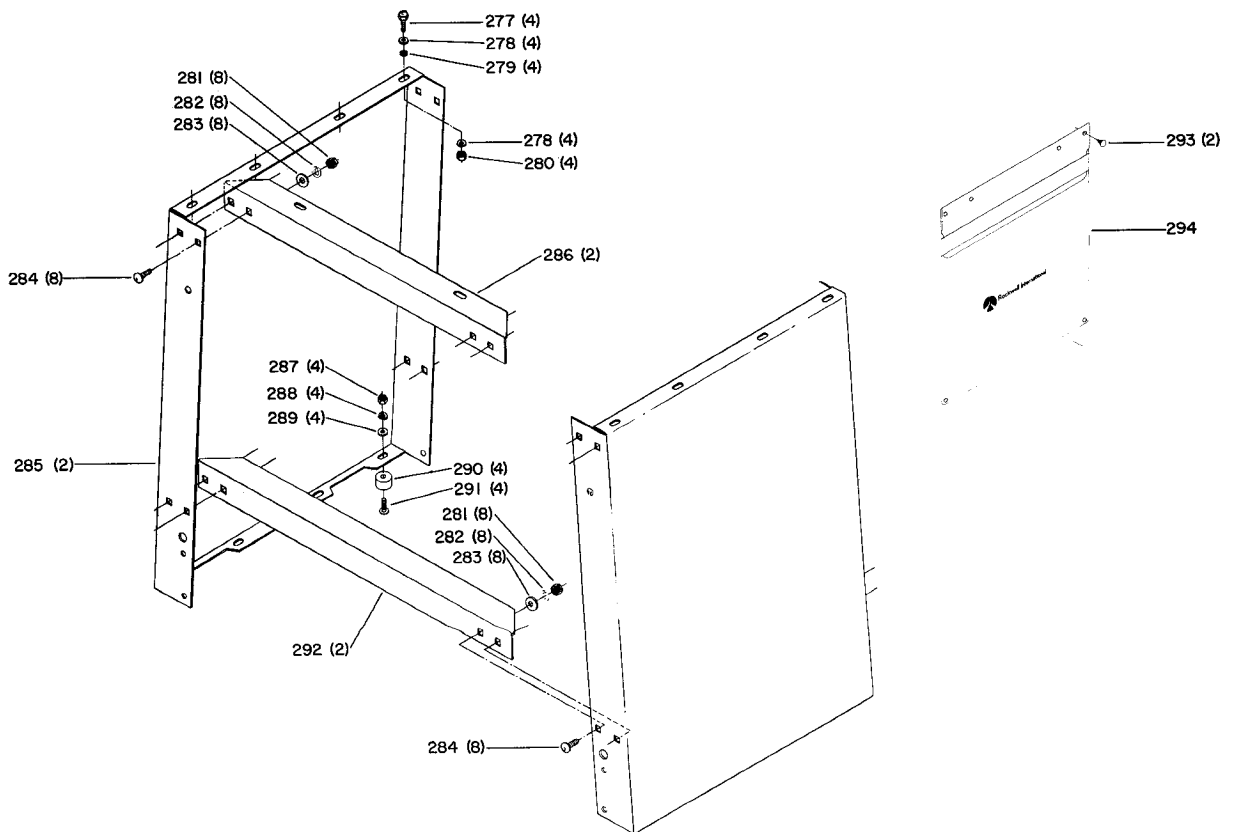
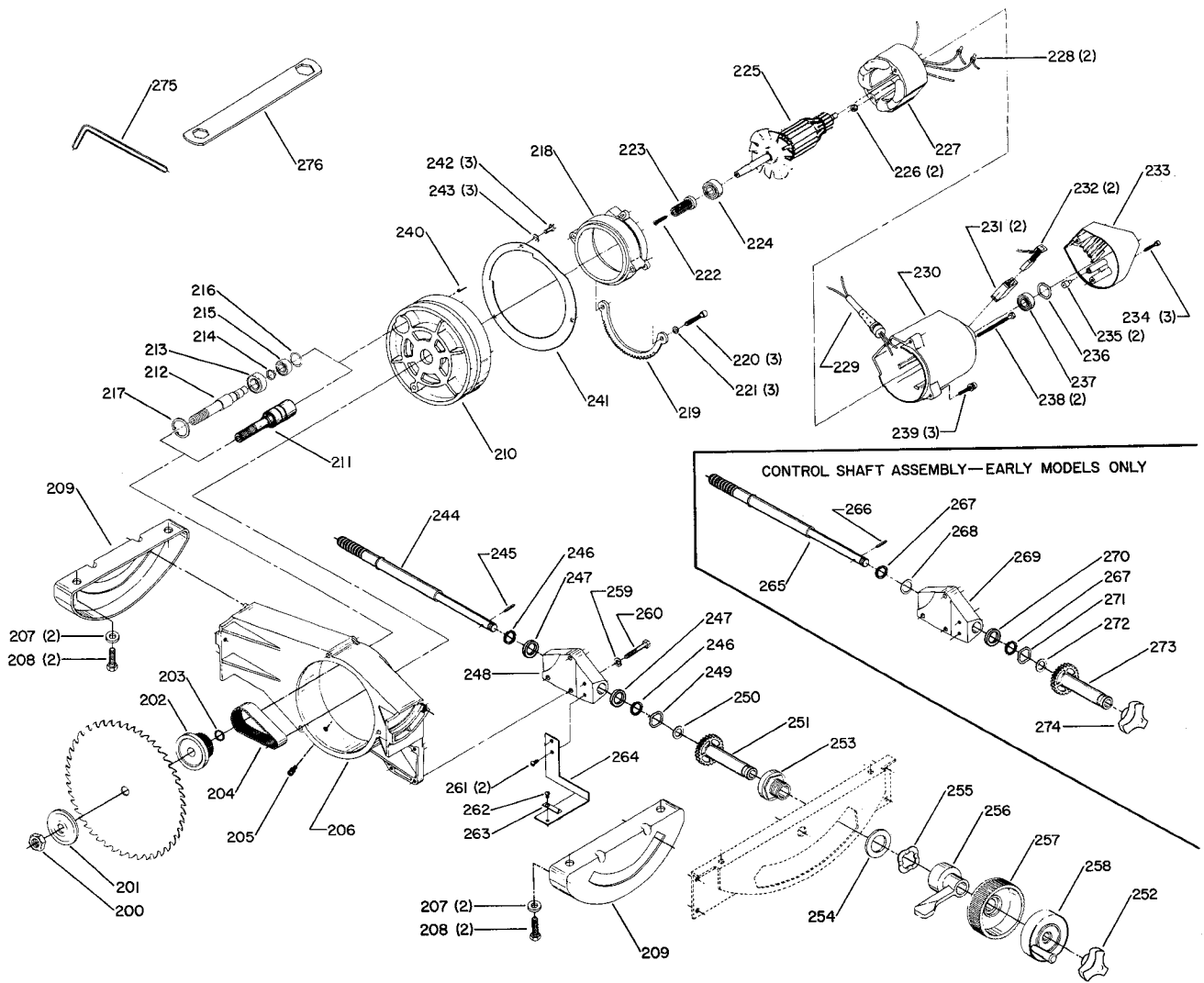


REPLACEMENT PARTS

Ref. No.	Part No.	Description	Ref. No.	Part No.	Description
*	422-16-354-0003	Blade Guard, Const. Of:	64	422-16-018-0001	Cabinet
*	1086432	Blade Guard Assy., Const. Of:	65	904-02-020-1704	3/8" Split Lockwasher
1	1086334	"See Thru" Guard	66	901-05-913-1334	3/8-16 X 1-1/4" Thd. Form. Screw
2	1086388	Push Nut (Cap)	67	422-15-031-0006	Cover
3	1087811	Pin	68	901-05-201-7377	#10 X 1/2" Self Tapping Screw
4	422-16-047-0001	Finger	69	902-03-060-2977	Tinnerman Nut
5	1086353	Spring	70	901-05-223-1266	#12-24 X 2" Hex Hd. Sheet Metal Screw
6	1086387	Push Nut	71	904-01-010-1605	5/16" Flat Washer
7	1086337	Pivot Bracket	72	1087844	Guard
8	905-01-010-6729	5/32 X 11/16" Roll Pin	73	422-15-014-0002	Bracket
9	422-16-071-0002	Pin	74	901-05-211-7372	14A X 5/8" Hex Hd. Sheet Metal Screw
10	1086349	Splitter Assembly	75	422-22-331-0002	Front Cover Ass'y., Incl.:
11	904-01-010-1620	11/32 X 11/16 X 1/16" Washer	76	1088261	Nameplate
12	901-01-060-0629	5/16-18 X 3/8" Hex Hd. Screw	77	422-22-072-0004	Scale
13	904-01-010-1614	9/32 X 5/8 X 1/16" Washer	78	422-22-072-0003	Nameplate
14	904-02-020-1702	1/4" Split Lockwasher	79	422-16-754-0002	Warning Decal
15	902-01-120-1034	1/4-20 Hex Jam Nut	80	438-01-001-0030	Electrical Box
16	422-16-111-0004	Stud	81	438-01-004-0007	Cable Clamp
17	1086103	Bracket Assembly	82	1087496	Power Cord
18	901-01-060-0611	1/4-20 X 1/2" Hex Hd. Screw	83	901-02-140-0584	#10-32 X 3/8" Bind. Hd. Screw
19	904-02-020-1702	1/4" Split Lockwasher	84	438-01-011-0050	Insulator
*	422-04-343-5005	Rip Fence Complete, Const. Of:	85	438-01-007-0042	Connector
20	901-01-060-0605	5/16-18 X 1/2" Hex Hd. Cap Screw	86	438-01-320-0220	Jumper
21	904-01-010-1604	5/16 X 3/4 X 1/16" Washer	87	438-01-004-0063	Heyco Bushing
22	422-04-010-5002	Rear Clamp Block	88	904-03-030-1795	#10 Ext. Tooth Lockwasher
23	905-04-071-4459	Pin	89	901-05-211-7379	#10 X 1/2" Sheet Metal Screw
24	422-03-027-0001	Rear Clamp Hook	90	904-03-020-1784	#6 Int. Tooth Lockwasher
25	422-04-067-5001	Lever	91	901-02-010-0553	#6-32 X 1/2" Rd. Hd. Screw
26	928-01-041-4118	Spring	92	438-01-017-0158	Overload Protector
27	422-04-343-5004	Fence	93	438-01-021-0151	Switch Cover Plate
28	422-16-108-0002	Rod	94	438-01-017-0140	Safety Swtich, Incl.:
29	1087198	Front Clamp Block Ass'y., Incl.:	95	400-06-068-0002	Switch Key
30	1087212	Clamp	*	34-895	Miter Gage, Const. Of:
31	904-01-031-7720	21/64 X 1/2 X .031" Washer	96	931-02-010-1085	Handknob
32	901-02-010-0551	#10-32 X 1/4" Rd. Hd. Screw	97	904-07-010-5555	Fiber Washer
33	422-16-075-0003	Pointer	98	422-01-050-0001	Miter Gage
34	1087531	Handknob	99	901-04-410-4561	1/4-28 X 1/4" Headless Set Screw
35	904-01-010-1603	1/4 X 9/16 X 3/64" Washer	100	901-04-121-3615	#8-32 X 1/2" Slot. Hd. Nyloc Set Screw
36	1087534	Knob	101	901-07-261-3237	Stud
37	901-01-060-0653	3/8-24 X 5/8" Hex Hd. Cap Screw	102	951-01-041-3988	Pointer
38	904-01-030-1650	Special Washer	103	901-04-410-4561	1/4-28 X 1/4" Headless Set Screw
39	901-05-743-1218	#8-32 X 1/2" Flat Hd. Screw	104	905-04-061-2351	Steel Pin
40	422-22-063-0004	Standard Insert	105	422-01-088-0002	Stop Link
41	422-22-017-0001	Bushing	106	422-01-112-0001	Pivot Screw
42	422-16-112-0002	Special Screw	107	422-01-004-0004	Guide Bar
43	422-22-104-0001	Spacer	108	1087689	Emblem
44	422-16-055-0004	Guide Rail-Rear	109	955-01-040-1471	Wrench
45	422-22-004-0002	Wing Bar	125	438-01-001-0030	Electrical Box
46	901-01-060-0626	1/4-20 X 3/4" Hex Hd. Screw	126	438-01-004-0007	Cable Clamp
47	902-01-120-1034	1/4-20 Hex Nut	127	1087496	Power Cord
48	904-03-030-1757	1/4" Ext. Tooth Lockwasher	128	904-03-030-1795	#10 Ext. Tooth Lockwasher
49	422-02-109-0004	Extension Wing	129	901-02-010-0561	#10-32 X 3/8" Rd. Hd. Mach. Screw
50	902-01-120-1203	#10-32 Hex Nut	130	438-01-011-0042	Insulator
51	904-03-030-1795	#10 Ext. Tooth Lockwasher	131	438-01-007-0041	Connector
52	901-02-140-0584	#10-32 X 3/8" Rd. Hd. Screw	132	902-03-000-2954	Speed Nut
53	904-03-030-1656	5/16" Ext. Tooth Lockwasher	133	430-02-079-0005	Clamp
54	902-01-010-1300	5/16-18 Hex Nut	134	438-01-017-0093	Overload Switch
55	901-02-010-0507	5/16-18 X 3/4" Rd. Hd. Screw	135	422-16-072-0001	Switch Cover Plate
56	422-16-104-0001	Spacer	136	438-01-004-0062	Heyco Bushing
57	422-16-112-0002	Special Screw	137	904-03-030-1795	#10 Ext. Tooth Lockwasher
58	422-16-055-0005	Guide Rail-Front	138	901-05-211-7379	#10 X 1/2" Sheet Metal Screw
59	422-22-004-0002	Wing Bar	139	960-03-012-0433	Decal - "Push To Reset"
60	902-01-010-1300	5/16-18 Hex Nut	140	438-01-017-0118	Safety Switch, Incl.:
61	904-03-030-1656	5/16" Ext. Tooth Lockwasher	141	400-06-068-0001	Switch Key
62	422-22-091-0002	Table	142	901-02-010-0553	#6-32 X 1/2" Rd. Hd. Screw
63	901-04-150-6215	1/4-20 X 3/8" Hex Soc. Set Screw	143	904-03-020-1784	#6 Int. Tooth Lockwasher

* NOT SHOWN ASSEMBLED



REPLACEMENT PARTS

Ref. No.	Part No.	Description	Ref. No.	Part No.	Description
200	902-01-201-2567	5/8-18 Arbor Nut	*	422-15-314-0001	Control Shaft Bracket Ass'y., Const. Of:
201	422-04-103-5001	Flange	244	422-15-106-0005	Shaft
202	422-16-051-0008	Arbor Pulley Flange	245	905-01-010-2704	1/8 X 3/4" Roll Pin
203	904-01-012-2479	5/8 X 3/4 X 1/16" Brass Washer	246	904-15-010-7036	Retaining Ring
204	34-669	Positive Drive Belt	247	904-07-011-4237	Special Fiber Washer
205	907-01-050-5241	Grease Fitting	248	422-15-014-0001	Control Shaft Bracket
206	1085769	Bracket	249	422-16-104-0007	Wavy Washer
207	904-01-032-0661	13/32 X 7/8 X .180-Washer	250	904-07-011-7783	37/64 X 7/8 X 1/32" Fiber Washer
208	901-05-913-1334	3/8-16 X 1-1/4" Thd. Form. Screw	251	1086929	Gear w/Sleeve
209	422-16-095-0001	Trunnion	252	1087525	Handknob
*	422-22-431-0002	Motor Assy, Complete, Const. Of:	253	1087581	Tilt Clamp
210	422-22-314-0004	Cylinder w/Arbor Assy., Incl.:	254	904-01-031-7718	Spacer
211	920-10-061-6625	Arbor Assy, Early Models (See Note A), Incl.:	255	928-06-011-8894	Spring Washer
212	422-22-303-0001	Arbor Assy, Current Models (See Note A), Incl.:	256	422-16-067-0002	Lock Lever
213	920-04-013-1276	Bearing	257	1085954	Tilt Handwheel
214	904-15-010-7042	Retaining Ring	258	422-16-400-0003	Elevating Handwheel
215	920-04-020-5375	Bearing	259	904-02-020-1702	1/4" Split Lockwasher
216	422-16-122-0001	Spring Washer	260	901-01-060-3124	1/4-20 X 1-1/2" Hex Hd. Screw
217	904-15-102-0175	Internal Retaining Ring	261	901-02-140-0584	#10-32 X 3/8" Bind Hd. Screw
218	400-08-001-0001	Ring Housing	262	901-02-010-0588	#8-32 X 1/4" Rd. Hd. Screw
219	422-16-051-0001	Elevating Gear	263	422-15-075-0001	Pointer
220	901-03-010-0760	1/4-20 X 1-1/4" Soc. Hd. Cap Screw	264	422-15-060-0001	Holder
221	400-08-104-0012	1/4" Med. Lockwasher	*	422-15-314-0001	Control Shaft Bracket Ass'y., Const. Of:
222	422-16-112-0003	#10-32 X 3/4" L.H. Screw	265	422-15-106-0004	Shaft
223	422-16-051-0006	Gear	266	905-01-010-2704	1/8 X 3/4" Roll Pin
224	400-08-139-0005	Bearing	267	904-15-013-1093	Retaining Ring
225	438-02-335-0029	Armature	268	904-01-031-2903	Special Washer
226	400-08-079-0011	#10-24 Nut	269	422-15-014-0001	Control Shaft Bracket
227	438-02-336-0029	Field	270	904-07-011-4237	Special Fiber Washer
228	438-01-007-0058	Wire Nut	271	422-16-104-0007	Wavy Washer
229	438-01-302-0574	Cord Set	272	904-07-011-7783	37/64 X 7/8 X 1/32" Washer
230	400-08-031-0003	Motor Housing	273	1086929	Gear w/Sleeve
231	438-02-041-0001	Brush Holder	274	1087525	Handknob
232	438-02-007-0012	Brush w/Spring	275	422-22-101-0001	Hex Wrench
233	400-08-020-0001	End Cap	276	1087708	Arbor Wrench
234	400-08-112-0015	#8-32 X 3/4" Fil. Hd. Screw	*	50-517	Steel Stand, Const. Of:
235	438-01-011-0059	Button	277	901-01-060-0626	1/4-20 X 3/4" Hex Hd. Screw
236	400-08-104-0004	Spring Washer	278	904-01-010-1603	1/4 X 9/16 X 3/64" Washer
237	400-08-139-0006	Bearing	279	904-03-030-1757	1/4" Ext. Tooth Lockwasher
238	400-08-112-0006	#10-24 X 2-3/4" Hex Hd. Screw	280	902-01-120-1034	1/4-20 Hex Nut
239	400-08-412-0001	#10-32 X 1" Screw w/Lockwasher	281	902-01-010-1300	5/16-18 Locknut
240	905-01-010-2707	5/32 X 1/2" Roll Pin	282	904-02-010-1703	5/16" Lockwasher
241	422-15-079-0001	Retainer	283	904-01-010-1605	3/8 X 7/8 X 1/16" Washer
242	901-01-060-0626	1/4-20 X 3/4" Hex Hd. Screw	284	901-11-020-0834	5/16-18 X 3/4" Carriage Bolt
243	904-02-020-1702	1/4" Split Lockwasher	285	436-06-031-0001	Panel
			286	436-06-103-0001	Top Tie Bar
			287	902-01-120-1034	1/4-20 Hex Nut
			288	904-02-020-1702	1/4" Lockwasher
			289	904-01-010-1614	9/32 X 5/8 X 1/16" Washer
			290	400-06-048-0001	Rubber Foot
			291	901-02-120-7504	1/4-20 X 5/8" Truss Hd. Screw
			292	436-06-103-0002	Bottom Tie Bar
			293	400-06-079-0001	Retainer
			294	400-06-603-0001	Envelope

SERVICE NOTES:

A - Saws with Serial Numbers prior to 81HO5800, have a one piece Arbor Assembly, Part No. 920-10-061-6625. Saws with Serial Number 81HO5800 and above use Arbor Assembly Part No. 422-22-303-0001, which includes replaceable bearings. Early Arbor Assemblies and Current Arbor Assemblies are not interchangeable.

* NOT SHOWN ASSEMBLED