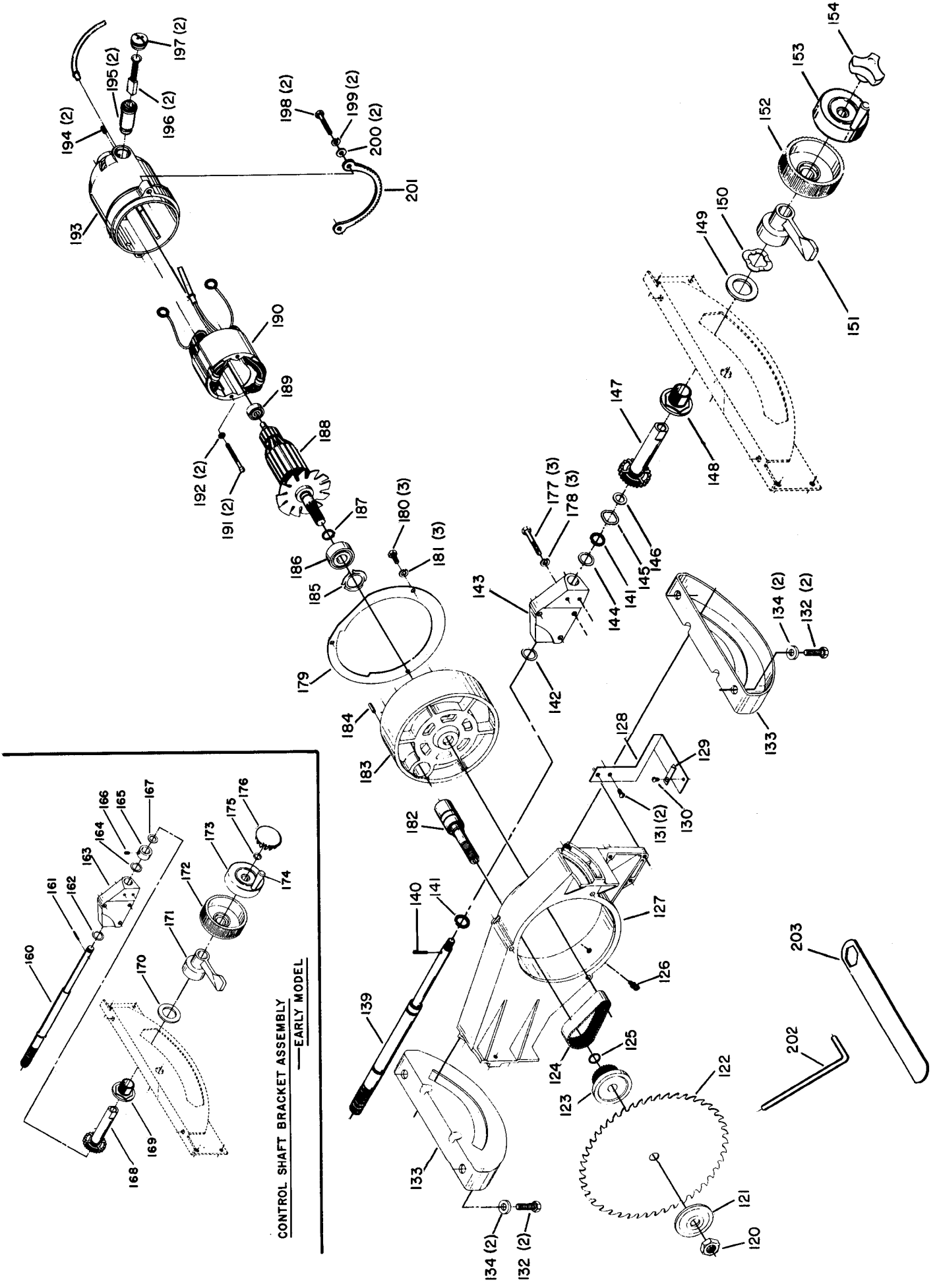
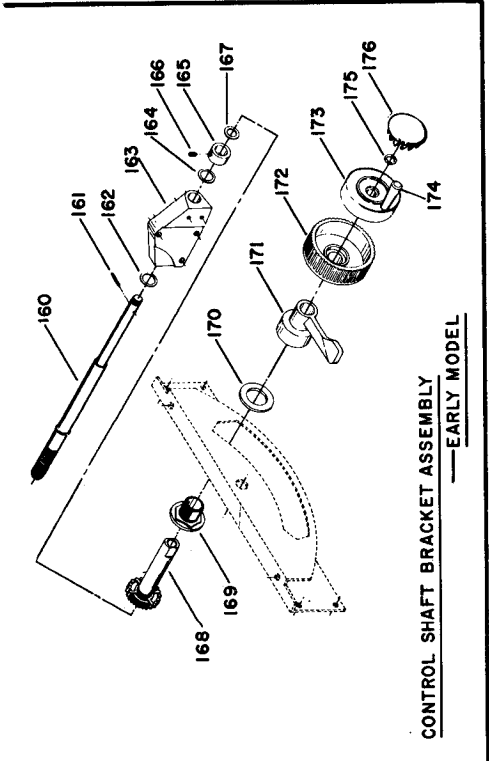


Replacement Parts

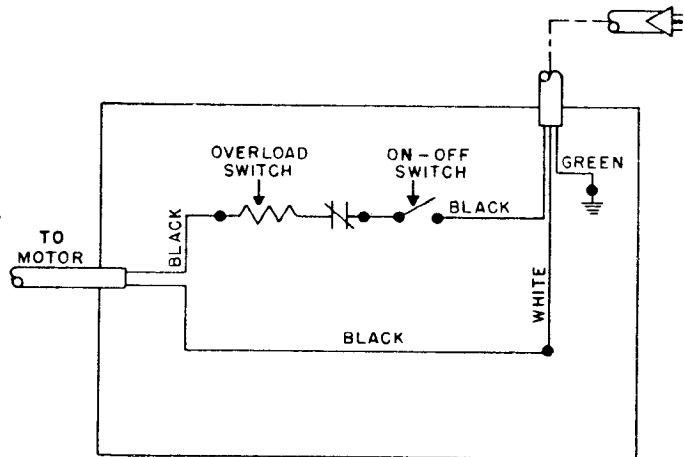
Ref. No.	Part No.	Description	Ref. No.	Part No.	Description
1	34-822	Standard Insert, Incl:	54	422-15-031-0002	Back Cover
2	901-02-321-7630	#10-32 X 5/8 Mach. Scr.	55	422-15-331-0001	Cabinet Ass'y.
3	422-16-017-0003	9/64 X 3/8 X 1/4 Rubber Bushing	56	904-02-020-1704	3/8 Split Lockwasher
4	422-16-055-0004	Guide Rail-Rear	57	901-01-060-0640	3/8-16 X 3/4 Hex Hd. Scr.
7	1087697	Table	58	901-05-221-7373	#12-24 X 1 Hex Hd. Scr.
8	901-04-080-0154	#10-32 X 3/8 Headless Set Scr.	59	901-05-221-7374	#12-24 X 2 Hex Hd. Scr.
9	34-601	Extension Wing Incl:	60	902-03-060-2977	Tinnerman Nut
10	901-01-060-0648	3/8-16 X 1-1/4 Hex Hd. Scr.	61	422-15-016-0001	Bumper (Early Models Only)
11	904-02-020-1704	3/8 Split Lockwasher	62	422-15-014-0002	Bracket
12	422-16-055-0005	Guide Rail-Front	63	901-05-211-7372	14A X 5/8 Sheet Mt. Scr.
13	422-03-112-0003	Special Scr.	64	1088266	Front Cover
14	422-16-104-0001	Spacer	65	Nameplate	By Request Only
*	422-04-343-5005	Rip Fence Comp., Const. Of:	66	960-03-012-0425	Scale
15	1087534	Knob	67	1088263	Series Nameplate
16	904-01-010-1603	1/4 X 9/16 X 3/64 Washer	68	Nameplate	By Request Only
17	1087198	Front Clamp Block Ass'y., Incl:	73	424-01-014-0002	Switch Guard
19	1087212	Clamp Block	74	1087503	Switch Cover Plate
20	904-01-031-7720	21/64 X 1/2 X .032 Washer	75	960-03-012-0433	Decal "Push to Reset"
21	901-02-010-0551	#10-32 X 1/4 Rd. Hd. Mach. Scr.	76	438-01-004-0050	Heyco Bushings
22	422-16-075-0003	Pointer	77	901-02-010-0553	6-32 X 1/2 Rd. Hd. Mach. Scr.
23	901-01-060-9929	3/8-24 X 5/8 Hex Hd. Scr.	78	904-03-020-1784	#6 Internal Tooth Lockwasher
24	904-01-030-1650	25/64 X 11/16 X 1/16 Washer	79	902-01-120-9232	#6 Hex Nut
*	1086083	Rip Fence, Const. Of:	80	902-03-000-2954	Speed Nut
25	422-04-343-5004	Fence	81	438-01-007-0009	Wire Nut
26	901-01-060-0605	5/16-18 X 1/2" Hex Hd. Cap Scr.	82	438-01-017-0092	Overload Switch
27	904-01-010-1604	5/16 X 3/4 X 1/16 Washer	83	422-16-027-0003	Clamp
28	422-04-010-5002	Rear Clamp Block	84	438-01-017-0079	Switch
29	905-04-071-4459	1/4 X 51/64 Pin	86	438-01-011-0042	Insulator
30	422-03-027-0001	Rear Clamp Hook	87	901-02-010-0561	10-32 X 3/8 Rd. Hd. Mach. Scr.
31	928-01-041-4118	Spring	88	904-03-030-1795	10 External Tooth Lockwasher
32	422-16-108-0002	Rod	89	438-01-001-0030	Box
33	422-04-067-5001	Lever	90	438-01-004-0007	Cable Clamp
*	34-638	Blade Guard, Const. Of:	91	1087496	Power Cord
*	1086432	Guard Ass'y., Const. Of;	*	34-578	Miter Gage Const. Of;
34	1086334	"See-Thru" Guard	92	1086399	Miter Gage Body
35	1086388	Push Nut (Cap)	93	Emblem	By Request Only
36	1087811	Pin	94	1086926	Spring Washer
37	1086353	Spring	95	1086924	Screw
38	422-16-047-0001	Kick Back Finger	96	1087524	Hand Knob
39	422-16-071-0002	Pin	97	904-07-010-5555	Washer
40	1086387	Push Nut	98	901-02-010-7794	#10-24 X 1-1/4 Rd. Hd. Mach. Scr.
41	1086337	Pivot Bracket	99	951-01-020-7849	Pointer
42	1086349	Splitter Ass'y.	100	901-02-052-2002	#10-32 X 1 Fil. Hd. Mach. Scr.
43	905-01-010-6729	5/32 X 11/16 Roll Pin	101	1086393	Guide Block
44	902-01-120-1034	1/4-20 Hex Jam Nut	102	1086392	Plunger
45	904-02-020-1702	1/4 Split Lockwasher	103	1087519	Stud
46	904-01-010-1614	9/32 X 5/8 X 1/16 Washer	104	422-16-004-0006	Guide Bar
47	422-16-111-0004	Stud	105	1087844	Guard
48	1086103	Bracket Ass'y.	**	1087506	Felt Washer for Overload Switch (Early Models Only)
49	901-01-060-0611	1/4-20 X 1/2 Hex Hd. Scr.			
50	901-01-060-0629	5/16-18 X 3/8 Hex Hd. Scr.			
51	904-01-010-1620	11/32 X 11/16 X 1/16 Washer	*	NOT SHOWN ASSEMBLED	
			**	NOT SHOWN	



Replacement Parts

Ref. No.	Part No.	Description	Ref. No.	Part No.	Description
120	902-01-201-8563	5/8"-18 Arbor Nut	169	1087581	Tilt Clamp
121	422-04-103-5001	Flange	170	904-01-031-7718	1-3/16 X 2 X 1/8 Washer
122	34-627	9" Combination Blade	171	1085955	Lock Lever
123	422-16-051-0008	Arbor Pulley Flange (Current Model) w/44 Tooth Gear	172	1085954	Tilt Handwheel
123	422-16-403-0003	Arbor Pulley Flange (Early Model) w/36 Tooth Gear	173	1085956	Elevating Handwheel, Inc:
124	34-669	Positive Drive Belt (Current Model) w/44 Tooth Gear	174	905-07-011-3111	Pin
124	49-081	Positive Drive Belt (Early Model) w/36 Tooth Gear	175	908-13-062-0865	O-Ring
125	904-01-012-2479	5/8 X 3/4 X 1/16 Brass Washer	176	448-01-031-0002	Hole Plug
126	907-01-050-5241	Grease Fitting	177	901-01-060-3124	1/4-20 X 1-1/2 Hex Hd. Scr.
127	422-16-014-0006	Brkt. for Machines Prior to S/N EK-3600	178	904-02-020-1702	1/4" Lockwasher
127	1085769	Brkt. for Machines Beginning with S/N EK-3600	179	422-15-079-0001	Retainer
128	422-15-060-0001	Holder	180	901-01-060-0611	1/4-20 X 1/2" Hex Hd. Scr.
129	422-15-075-0001	Pointer	181	904-02-020-1702	1/4" Split Lockwasher
130	901-02-010-0558	#8-32 X 1/4 Rd. Hd. Mach. Scr.	*	438-02-314-0416	Motor Ass'y. Complete (Early Model) w/36 Tooth Gear, Const. Of:
131	901-02-010-0561	#10-32 X 3/8 Rd. Hd. Mach. Scr.	*	438-02-314-0728	Motor Ass'y., Complete (Current Model) w/44 Tooth Gear, Const. Of:
132	901-01-060-0642	3/8-16 X 1 Hex Hd. Cap Scr.	182	920-10-061-6625	Arbor Bearing w/Ring
133	422-16-095-0001	Trunnion	183	422-16-035-0002	Motor End Bell, Early Model) w/36 Tooth Gear
134	904-01-032-0661	13/32 X 7/8 X .180" Washer	183	422-16-035-0005	Motor End Bell, (Current Model) w/44 Tooth Gear
*	422-15-314-0005	Control Shaft Bracket Ass'y., Const. Of:	184	905-01-010-2707	5/32 X 1/2 Roll Pin
139	422-15-106-0004	Shaft	185	928-07-010-7355	Bearing Load Spring
140	905-01-010-2704	1/8 X 3/4 Roll Pin	186	920-04-020-5335	Ball Bearing
141	904-15-012-0295	Retaining Ring	187	904-15-012-0293	Retaining Ring
142	904-07-011-4237	Fiber Washer	188	438-02-335-0017	Armature Ass'y.
143	422-15-014-0001	Control Shaft Bracket	189	920-04-021-6624	Ball Bearing
144	904-01-031-2903	Special Washer	190	438-02-336-0002	Field Ass'y.
145	422-16-104-0007	Wavy Washer	191	901-02-052-0717	#10-32 X 2-1/4 Fil. Hd. Scr.
146	904-07-011-7783	37/64 X 7/8 X 1/32 Hd. Fiber Washer	192	904-03-030-1795	#10 External Tooth Lockwasher
147	1086929	Gear w/Sleeve	193	422-16-031-0001	Motor Cover
148	1087581	Tilt Clamp	194	901-04-080-0154	#10-32 X 3/8 Headless Set Scr.
149	422-16-104-0008	Spacer	195	438-02-011-0001	Brush Holder
150	928-06-011-8894	Spring Washer	196	438-02-007-0001	Brush
151	422-16-067-0002	Lock Lever	197	803250	Brush Cap
152	1085954	Tilt Handwheel	198	901-01-060-0614	1/4-20 X 1-1/4 Hex Hd. Scr.
153	422-16-400-0003	Elevating Handwheel	199	904-02-020-1702	1/4" Lockwasher
154	1087525	Handknob	200	904-01-010-1614	9/32 X 5/8 X 1/16 Washer
*	422-15-314-0001	Control Shaft Bracket Ass'y. Early Model, Const. Of:	201	422-16-051-0001	Elevating Gear
160	422-15-406-0001	Control Shaft w/ring	202	955-03-020-2200	5/16" Hex Long Wrench
161	905-01-010-2704	1/8 X 3/4 Roll Pin	203	1087708	Arbor Wrench
162	904-07-011-4237	3/4 X 11/16 X 1/32 Fiber Washer			
163	422-15-014-0001	Control Shaft Bracket			
164	904-07-011-4237	3/4 X 11/16 X 1/32 Fiber Washer			
165	904-10-991-5996	Set Collar, Incl:			
166	901-04-150-0206	1/4-20 X 1/4 Hex Soc. Set Scr.			
167	904-07-011-7783	37/64 X 7/8 X 1/32 Hard Fiber Washer			
168	1086929	Gear w/Sleeve			

* NOT SHOWN ASSEMBLED



WIRING DIAGRAM