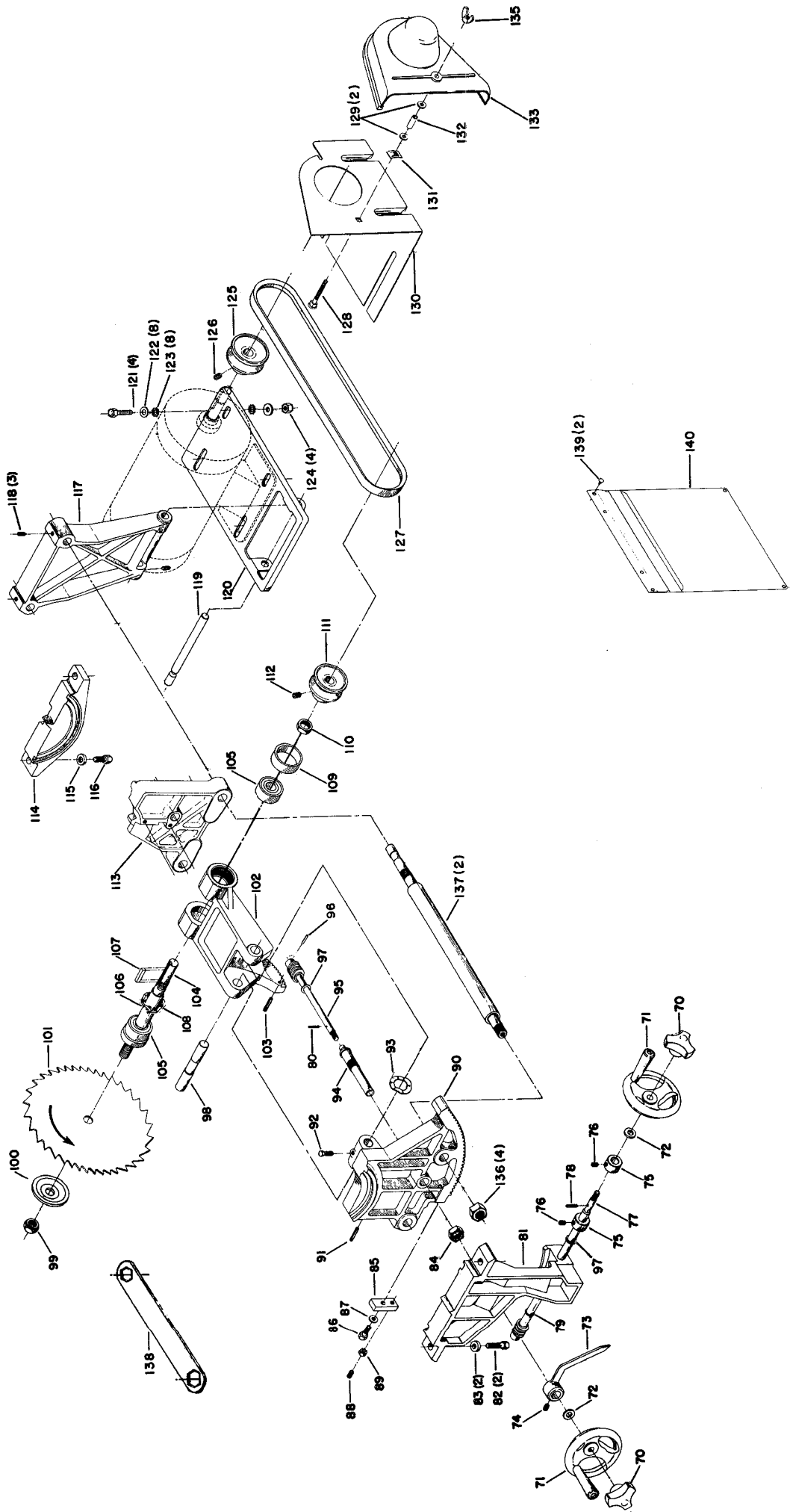


# Replacement Parts

Ref. No.	Part No.	Description	Ref. No.	Part No.	Description
1	34-661	Table Insert, including:	*	34-636	Blade Guard, Const. of:
2	901-04-080-0153	#10-32 x 1/4" Hdls. Set Scr.	40	1086334	"See Thru" Guard
3	422-02-016-0001	Bumper	41	1087811	Pin
4	422-02-091-0005	Table	42	1086388	Push Nut Cap
5	1087154	Cabinet	43	1086337	Pivot Bracket
6	904-01-010-1604	5/16 x 3/4 x 1/16" Washer	44	422-16-071-0002	Pin
7	901-01-060-0606	5/16-18 x 5/8" Hex Hd. Scr.	45	1086387	Push Nut
8	1088279	Tilt Scale	46	422-16-047-0001	Kickback Finger
9	1087794	Rivet	47	1086353	Spring
10	34-601	Extension Wing, including:	48	1086348	Splitter w/Bushing
11	904-02-020-1704	3/8" Lockwasher	49	905-01-010-6729	5/32 x 11/16" Roll Pin
12	901-01-060-0648	3/8-16 x 1-1/4" Hex Hd. Scr.	50	1086347	Bracket
13	422-03-089-0002	Bearing Bracket	51	901-01-060-0629	5/16-18 x 3/8" Hex Hd. Cap Scr.
14	901-02-050-0707	5/16-18 x 1" Fil. Hd. Scr.	52	904-01-010-1620	11/32 x 11/16 x 1/16" Washer
15	904-01-010-1604	5/16 x 3/4 x 1/16" Washer	53	901-01-060-3120	1/2-13 x 1-3/4" Hex Hd.
16	902-01-010-1300	5/16-18 Hex Nut	54	904-01-010-1636	17/32 x 1-1/16 x .095 Washer
17	422-16-055-0005	Front Guide Rail	55	904-02-020-1705	1/2" Lockwasher
18	422-03-112-0003	5/16-18 Special Screw	56	902-01-010-1282	1/2"-13 Hex Nut
19	422-16-104-0001	Rail Spacer	*	34-895	Miter Gage, Const. of:
20	422-16-055-0004	Rear Guide Rail	57 n	422-01-050-0001	Miter Gage
*	1086096	Rip Fence Complete, Const. of:	58	901-04-410-4561	1/4-28 x 1/4" Headless Set Scr.
21	422-16-310-0004	Front Clamp Block Ass'y, incl:	59	931-02-010-1085	Handknob
22	1087531	Handknob	60	904-07-010-5555	Fiber Washer
23	904-01-031-7720	21/64 x 1/2 x .032 Washer	61	902-01-200-1086	Hex Nut
24	1087212	Clamp	62	901-02-050-0723	#8-32 x 1/2" Fil. Hd. Scr.
25	901-02-010-0551	#10-32 x 1/4" Rd. Hd. Scr.	63 n	422-04-004-0001	Guide Bar
26	422-16-075-0003	Pointer	64	901-07-261-3237	Stud
27	1087534	Handknob	65	951-01-041-3988	Pointer
28	904-01-010-1603	1/4 x 9/16 x 3/64" Washer	66	905-04-061-2351	Steel Pin
29	1086074	Fence	67	422-01-088-0002	Stop Link
30	901-01-060-9929	3/8-24 x 5/8" Hex Hd. Scr.	68	422-01-112-0001	Pivot Screw
31	904-01-030-1650	Washer	69	424-01-014-0002	Switch Guard
32	901-01-060-0606	5/16-18 x 1/2" Hex Hd. Scr.	**	422-16-754-0001	Warning Decal
33	904-01-010-1604	5/16 x 3/4 x 1/16" Washer	**	52-493	Motor
34	422-16-108-0002	Clamp Rod			
35	1086397	Rear Clamp Block			
36	905-04-071-4459	1/4 x 51/64" Pin	*	Not Shown Assembled	
37	422-03-027-0001	Rear Clamp	**	Not Shown	
38	928-01-041-4118	Spring			
39	422-04-067-5001	Lever			



# Replacement Parts

Ref. No.	Part No.	Description	Ref. No.	Part No.	Description
70	1087525	Knob	106	1087857	Spacer
71	1085837	Handwheel	107	927-03-010-2655	3/16 x 3/16 x 7/8" Key
72	904-07-020-5556	Special Washer	108	928-06-020-7382	Loading Spring
73	422-02-375-0002	Pointer, including:	109	902-07-020-7176	Spanner Nut
74	901-04-150-0208	1/4-20 x 1/4" Soc. Set Scr.	110	902-01-200-9847	Special Nut
75	426-03-388-0001	Set Collar, including:	111	41-013	Arbor Pulley, 5/8" Bore, incl:
76	901-04-150-0208	1/4-20 x 1/4" Soc. Set Scr.	112	901-04-150-0206	5/16-18 x 5/16" Soc. Set Scr.
77	1087598	Tilt Shaft Ass'y, incl:	113	422-19-095-0002	Rear Trunnion
78	905-01-010-2711	1/8 x 5/8" Roll Pin	114	422-02-014-0010	Rear Trunnion Bracket
79	904-07-010-5554	Fiber Washer	115	904-01-030-1643	Special Washer
80	905-01-010-2711	1/8 x 5/8" Roll Pin	116	901-01-060-0649	5/16-18 x 1" Hex Hd. Scr.
81	1087233	Front Trunnion Brkt. w/Bushing	*	422-02-314-0005	Mt. Brkt. Ass'y, Const. of:
82	901-01-060-0649	5/16-18 x 1" Hex Hd. Scr.	117	422-02-014-0012	Motor Bracket
83	904-01-030-1643	Special Washer	118	901-04-041-9152	1/4-20 x 5/16" Soc. Set Scr.
84	902-01-200-9846	Special Nut	119	422-03-108-0005	Motor Plate Rod
85	422-02-088-0001	Stop Block	120	422-02-089-0005	Motor Plate
86	901-01-060-0612	1/4-20 x 5/8" Hex Hd. Scr.	121	901-01-060-0649	5/16-18 x 1" Hex Hd. Scr.
87	904-01-010-1603	1/4 x 9/16 x 3/64" Washer	122	904-01-010-1604	5/16 x 3/4 x .065 Washer
88	901-04-120-0108	1/4-20 x 3/4 Headless Set Scr.	123	904-03-030-1656	5/16" External Tooth Lockwasher
89	902-01-120-1034	1/4"-20 Hex Nut	124	902-01-010-1300	5/16"-18 Hex Nut
90	1087146	Front Trunnion	125	41-023	Motor Pulley - 5/8" Bore, incl:
91	905-01-010-2710	3/16 x 7/8" Roll Pin	126	901-04-150-0206	5/16-18 x 5/16" Soc. Set Scr.
92	901-04-020-0301	1/4-20 x 1/2" Sq. Hd. Set Scr.	127 n	400-06-133-0001	V-Belt
93	928-06-010-7381	Spring Washer	*	34-965	Belt & Pulley Guard, Const. of:
94	422-02-105-0001	Eccentric	128	901-11-020-0848	1/4-20 x 1-3/4" Carriage Bolt
95	1087597	Elevating Shaft, including:	129	904-01-010-1603	1/4 x 9/16 x 3/64" Washer
96	905-01-010-2711	1/8 x 5/8" Roll Pin	130	1088314	Guard Plate
97	904-07-010-5554	Fiber Washer	131	1088385	Speed Nut
98	952-01-101-3267	Arbor Bracket Shaft	132	424-03-017-0003	Spacer
99	902-01-200-9848	Arbor Nut	133	1088315	Guard Cover
100	422-04-103-5001	Flange	135	902-04-010-1402	1/4"-20 Wing Nut
101	34-627	9" Combination Blade	136	902-01-020-1226	5/8"-18 Hex Jam Nut
102	422-02-014-0017	Arbor Bracket	137	1087585	Tie Rod
103	905-01-010-2710	3/16 x 7/8" Roll Pin	138	1087708	Arbor Wrench
104	422-03-303-0002	Arbor w/Flange	139 n	400-06-079-0001	Retainer
105	1086894	Bearing	140 n	400-06-603-0001	Envelope

\* Not Shown Assembled