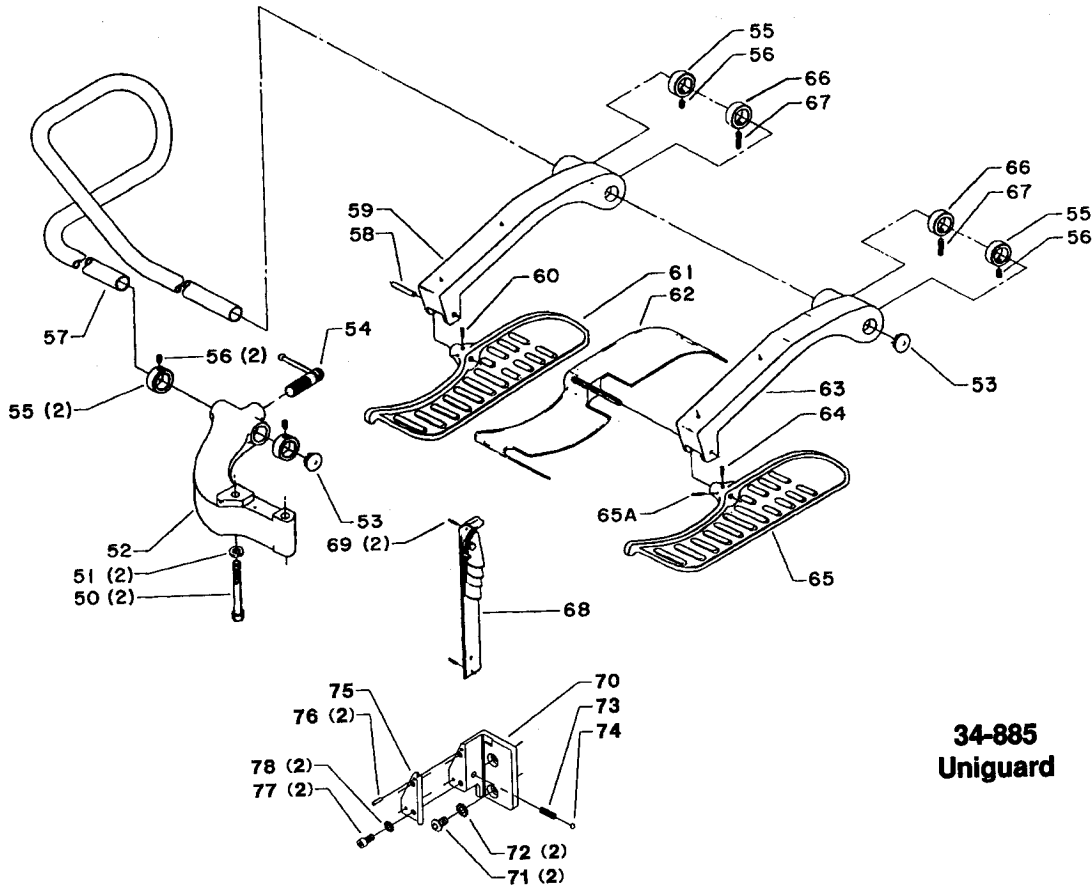


REPLACEMENT PARTS

REF NO	PART NUMBER	DESCRIPTION	REF NO	PART NUMBER	DESCRIPTION
*	34-639	BLADE GUARD COMPLETE, CONST OF:	16	422-04-089-0003	SUPPORT ROD
*	1086935	BLADE GUARD, CONST OF:	17	902-01-020-1226	5/8-18 JAM NUT
1	1086388	PUSH NUT CAP	18	904-03-020-1751	5/8" INT TOOTH WASHER
2	1087811	PIN	19	901-01-060-0649	5/16-18 X 1" HEX HD SCREW
3	1086334	SEE THRU GUARD	20	422-03-072-0001	PLATE
4	422-16-047-0001	KICK BACK FINGER	21	422-04-014-0037	SPLITTER BRACKET (Current Models Only)
5	1086353	SPRING	21A	422-04-314-0017	BRACKET ASSY (Early Models Only), INCL:
6	422-16-071-0002	PIN	21B	902-03-013-1063	5/16-18 TINNEMAN NUT (Early Models Only)
7	1086337	PIVOT BRACKET	22	904-01-031-2934	1/4" FLAT WASHER (Current Models Only)
8	1086387	PUSH NUT	22A	904-01-010-1620	FLAT WASHER (Early Models Only)
9	905-01-010-6729	5/32" X 11/16" SPRING PIN	22B	904-02-010-1703	5/16" LOCK WASHER (Early Models Only)
10	1086911	SPLITTER W/BUSHING	23	901-03-010-0230	1/4-20 X 2" HEX SOC HD SCREW (Current Models Only)
11	901-01-060-0649	5/16-18 X 1" HEX HD SCREW	23A	901-03-010-0762	5/16-18 X 5/8" HEX SOC HD SCREW
12	904-01-010-1620	FLAT WASHER	24	901-03-010-0755	1/4-20 X 3/4" HEX SOC HD SCREW (Current Models Only)
13	904-02-010-1703	5/16" LOCK WASHER			
14	422-04-014-0018	BRACKET			
15	422-04-014-0019	BRACKET			

* NOT SHOWN ASSEMBLED
REF

REPLACEMENT PARTS



**34-885
Uniguard**

NO	PART NUMBER	DESCRIPTION	REF NO	PART NUMBER	DESCRIPTION
*	34-885	UNIGUARD COMPLETE, CONST OF:			
50	901-01-060-0675	7/16-20 X 3" HEX HD SCREW	64	901-04-150-0235	#10-24 X 3/8" HEX SOC SET SCREW
51	904-02-010-1716	7/16" LOCK WASHER	65	422-04-054-0002	GUARD
52	422-04-014-5007	BRACKET	66	422-04-388-0003	STOP COLLAR, INCL:
53	961-01-010-7483	END PLUG	67	901-04-150-9436	SET SCREW
54	422-04-412-0001	CLAMP SCREW	*	34-868	SPLITTER COMPLETE, CONST OF:
55	422-04-388-0002	STOP COLLAR, INCL:	68	422-04-386-0001	SPLITTER
56	901-04-150-0205	5/16-18 X 1/4" HEX SOC SET SCREW	69	905-01-010-6711	1/8" X 3/8" SPRING PIN
57	422-04-089-0001	SUPPORT ARM	70	422-04-014-0036	BRACKET
58	422-04-071-0003	PIN	71	901-03-043-1191	5/16-18 X 1/2" BUTTON HD SCREW
*	422-04-354-0001	GUARD ASSY, CONST OF:	72	904-03-030-1656	5/16" EXT TOOTH WASHER
59	422-04-014-0001	ARM	73	928-01-041-8851	SPRING
60	901-04-150-0235	#10-24 X 3/8" HEX SOC SET SCREW	74	921-01-010-0028	1/4" STEEL BALL
61	422-04-054-0002	GUARD	75	422-04-072-0002	CLAMP PLATE
*	422-04-354-0002	GUARD ASSY, CONST OF:	76	905-01-010-2703	1/8" X 1/2" SPRING PIN
62	422-04-054-0004	SHIELD	77	901-02-050-0715	1/4-20 X 1/2" FILL HD SCREW
63	422-04-014-0001	ARM	78	904-03-060-1665	EXT TOOTH WASHER

* NOT SHOWN ASSEMBLED

STANDARD SAFETY EQUIPMENT

In order to promote tool safety, Delta International Machinery Corp. strictly enforces the policy of repairing or replacing any damaged or missing standard safety equipment on machines presented to Delta Authorized Service Center for service/repairs. Any product which is presented to a Delta Authorized Service Center for repairs which contains missing or damaged standard safety equipment will have that equipment repaired or replaced and the customer will be charged for any such service/repairs. Customers can avoid such charges only if the missing safety component is supplied to the service center at the time of repair.

This parts list is provided to aid in obtaining service parts. Copies of the instruction and maintenance literature can be obtained through the Delta Technical Publications Department or through your local service outlet.