

OLD STYLE STEEL RIP FENCE ASSY.
422-04-312-5007

NOTE: COMPONENTS NOT SHOWN ARE SAME AS CURRENT FENCE ASSY. (SEE SERVICE NOTE B)

OLD STYLE TWO PIECE ALUMINUM RIP FENCE ASSY. EARLY 34-896
NOTE: COMPONENTS NOT SHOWN ARE SAME AS CURRENT FENCE ASSY. (SEE SERVICE NOTE B)

*FOR MACHINES WITH SERIAL NO. DE-1318 OR HIGHER ORDER 422-04-104-0001 SPACER. ON MACHINES WITH SERIAL NO'S. PRIOR TO DE-1318 ORDER 422-04-104-5009 SPACER.

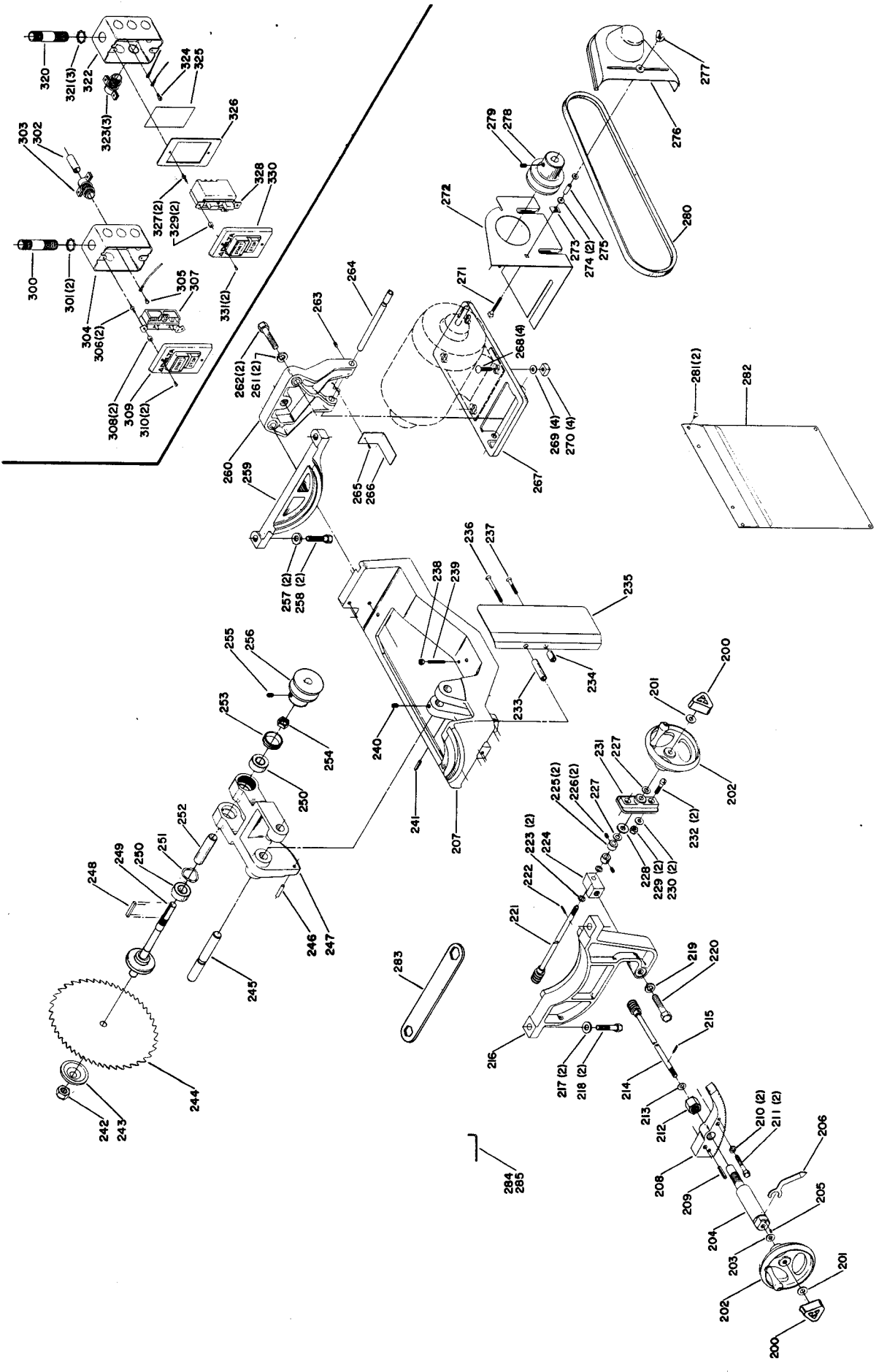
34-895 MITER GAGE

REPLACEMENT PARTS

REF. NO.	PART NO.	DESCRIPTION	REF. NO.	PART NO.	DESCRIPTION
*	34-896	Aluminum Fence Assy., Const of:	*	34-895	Miter Gage, Const. of:
1	422-04-043-0003	Fence Body	82	422-01-355-0004	Miter Gage Body, Incl.:
2	901-01-060-0677	3/8 - 24 x 1/2" Hex Hd Cap Screw	83	901-04-410-4561	Special Set Screw
3	904-01-033-1451	Special Washer	84	902-01-200-1086	Special Nut (Early Models Only)
4	901-01-060-0605	5/16 - 18 x 1/2" Hex Hd Cap Screw	85	901-04-150-9428	#8 - 32 x 1/2" Hex Soc Set Screw
5	904-01-010-1604	1/4" Washer	86	422-02-060-0003	Handle (Current Models Only)
6	422-04-010-5002	Rear Slide Block	86A	422-02-060-0001	Lock Knob (Early Models Only)
7	905-04-071-4459	Pin	87	904-07-010-5555	1/4" Fiber Washer
8	928-01-041-4118	Spring	88	422-04-004-0001	Bar
9	422-04-027-0001	Clamp Hook	89	901-07-261-3237	Stud
10	422-04-067-5001	Lever	90	422-01-088-0002	Stop Link
11	422-04-108-5001	Rod	91	905-04-061-2351	Special Pin
12	901-02-010-0551	#10 - 32 x 1/4" Rd Hd Screw	92	422-01-075-0001	Pointer
13	951-01-020-7849	Pointer	93	901-04-410-4561	Special Set Screw
*	422-04-312-5008	Front Clamp, Const of:	94	422-04-072-0001	Plate
14	422-04-071-5005	Pin	95	901-02-030-5750	1/4 - 28 x 5/16" Flat Hd Screw
15	422-04-071-5004	Pin	96	422-01-112-0001	Special Pivot Screw
16	422-04-012-5005	Front Clamp Body	97	955-01-040-1471	5/16" Open End Wrench (Early Models Only)
17	422-04-042-5002	Eccentric			
18	901-04-160-6218	1/4 - 20 x 1/4" Hex Soc Set Screw			OLD STYLE FENCE COMPONENTS
19	928-01-041-4123	Spring			(SEE SERVICE NOTE B)
20	422-04-327-5002	Front Clamp Shoe, Incl.:			
21	904-08-021-4550	Rubber Bushing	100	422-04-343-5002	Rip Fence, Old Style Steel
22	422-04-071-0001	Pin (See Service Note C)	110	422-04-343-0005	Rip Fence, Old Style 2-Piece Aluminum, Incl.:
23	422-04-351-5002	Knob and Pinion	111	901-02-163-1176	#10-32 x 1 1/4" Pan Hd Screw
24	931-01-011-4091	Ball Handle	112	902-01-223-1177	#10 - 32 Clinch Nut
25	422-04-111-5002	Clamp Lever	113	901-01-060-0606	5/16 - 18 x 5/8" Hex Hd Cap Screw
26	928-01-201-5898	Spring	114	904-01-010-1604	1/4" Washer
27	928-01-021-5301	Spring	115	901-01-060-0653	3/8 - 24 x 5/8" Hex Hd Cap Screw
28	422-04-105-5001	Sleeve	116	904-01-033-1451	Special Washer
32	422-16-754-0003	Warning Label	117	901-02-163-1176	#10 - 32 x 1 1/4" Pan Hd Screw
33	422-04-112-5007	Shoulder Screw	118	902-01-223-1177	#10 - 32 Clinch Nut
34	422-04-104-5009	Spacer (For Machines Prior to Serial No. DE-1318)	119	424-12-075-0002	Pointer
34	422-04-104-0001	Spacer (For Machines With Serial No. DE-1318 & Higher)			NOT INCLUDED WITH BASIC MACHINE
35	902-01-010-1207	3/8 - 24 Hex Nut	130	43-349	Side Extension Wing, Incl.:
36	422-04-055-0001	Front Guide Rail	131	901-01-060-0681	7/16 - 20 x 1 1/2" Hex Hd Screw
37	961-01-010-7462	Plug	132	904-02-010-1716	7/16" Lockwasher
38	1087365	Cabinet Assembly			
39	422-04-132-0001	Scale & Nameplate	*	NOT SHOWN ASSEMBLED	
40	1087794	Rivet			
41	438-01-011-0020	Insulation Bushing (Current Models Only)			
41A	402-04-031-5002	Switch Opening Cover (Early Models Only)			
42	901-02-010-0564	#6 - 32 x 3/8" Rd Hd Screw (Early Models Only)			
43	902-03-000-2954	Tinnerman Nut (Early Models Only)			
44	438-01-021-0130	Cover Plate (Early Models Only)			
45	0908460	Self Tapping Screw (Early Models Only)			
46	904-10-031-3826	Special Washer			
47	901-01-060-0680	7/16 - 20 x 3/4" Hex Hd Cap Screw			
48	901-04-461-5298	Long Lok Set Screw			
49	34-154	Insert Assy., Incl.:			
50	901-04-461-5297	Long Lok Set Screw			
51	422-04-055-0002	Rear Guide Rail			
52	422-03-091-0002	Table			
*	1086935	Splitter & Guard Assy., Const. of:			
53	1086388	Push Nut (Cap)			
54	1087811	Pin			
55	1086334	See-Thru Guard			
56	1086353	Spring			
57	422-16-047-0001	Anti - Kickback Finger			
58	422-16-071-0002	Pin			
59	1086337	Pivot Bracket			
60	1086387	Push Nut			
61	905-01-010-6729	5/32 x 11/16" Roll Pin			
62	1086911	Splitter w/Bushing			
63	901-01-060-0606	5/16 - 18 x 5/8" Hex Hd Cap Screw			
64	904-01-010-1604	1/4" Washer			
65	422-03-072-0001	Plate			
66	422-03-314-0002	Bracket Assy., Incl.:			
67	901-01-060-0608	5/16 - 18 x 7/8" Hex Hd Cap Screw			
68	422-03-108-0006	Rod			
69	902-01-020-9101	3/4 - 16 Hex Nut			
70	422-04-314-0017	Bracket (Current Models Only, See Service Note A), Incl.:			
71	902-03-013-1063	Tinnerman Nut			
72	904-01-010-1603	3/16" Flat Washer (Current Models Only)			
73	901-01-060-0612	1/4 - 20 x 5/8" Hex Hd Cap Screw (Current Models Only)			
74	901-01-060-0649	5/16 - 18 x 1" Hex Hd Cap Screw (Current Models Only)			
75	904-01-010-1604	1/4" Flat Washer (Early Models Only)			
76	422-03-072-0001	Plate (Current Models Only)			
77	901-01-060-0606	5/16 - 18 x 5/8" Hex Hd Cap Screw (Early Models Only)			
78	904-01-010-1603	3/16" Flat Washer (Early Models Only)			
79	901-01-060-0622	1/4 - 20 x 2" Hex Hd Screw (Early Models Only)			
80	901-01-060-0603	1/4 - 20 x 7/8" Hex Hd Screw (Early Models Only)			
81	422-04-014-5006	Bracket (Early Models Only, See Service Note A)			

SERVICE NOTES:

- A - Early Bracket was Die Cast, Current Bracket is Sheet Metal.
- B - To convert the 422-04-312-5007 Old Style Steel or the Early 34-896 Old Style 2-Piece Aluminum Rip Fences into the Current One Piece Aluminum Fence, order Service Kit No. 422-04-343-0007 which includes the new fence body and the necessary hardware and instructions for converting to the new style fence.
- C - This pin is no longer knurled. Apply a drop of Loctite when assembling into front clamp shoe (Ref. No. 20).



REPLACEMENT PARTS

REF. NO.	PART NO.	DESCRIPTION	REF. NO.	PART NO.	DESCRIPTION
200	422-03-138-0001	Knob	*	34-965	Belt & Pulley Guard Assy, Const of:
201	904-01-010-1615	5/16" Washer	271	901-11-020-0848	1/4 - 20 x 1 3/4" Carriage Bolt
202	1086491	Handwheel	272	1088314	Guard Plate
203	904-07-010-5571	3/8" Fiber Washer	273	1088385	Speed Nut
204	422-03-105-0001	Sleeve	274	904-01-010-1603	3/16" Washer
205	901-04-190-0286	#8 - 32 x 1/4" Hex Soc Set Screw	275	424-03-017-0003	Spacer
206	422-03-075-0001	Pointer	276	1088315	Guard Cover
207	1086752	Carriage Assembly, Incl:	277	902-04-010-1402	Wing Nut
208	422-03-051-0002	Gear Segment	278	926-01-041-8729	Motor Pulley (5/8" Bore), Incl:
209	905-01-010-2720	1/4 x 1" Roll Pin	279	901-04-190-0201	5/16 - 18 x 5/16" Hex Soc Set Screw
210	904-02-010-1703	5/16" Lockwasher	278	41-204	Motor Pulley (3/4" Bore), Incl:
211	901-01-060-0609	5/16 - 18 x 1 1/2" Hex Hd Cap Screw	279	901-04-190-0201	5/16 - 18 x 5/16" Hex Soc Set Screw
212	422-03-079-0004	Retainer	280	51-008	Belt 47" OC
213	904-07-010-5554	3/8" Fiber Washer	281	400-06-079-0001	Retainer
214	422-03-408-0002	Elevating Rod & Worm, Incl:	282	400-06-603-0001	Envelope
215	905-01-010-2711	1/8 x 5/8" Roll Pin	283	1087708	Wrench
216	422-03-014-0007	Front Trunnion	284	48245	5/32" Hex Wrench (Early Models Only)
217	904-10-031-3826	Special Washer	285	48273	1/8" Hex Wrench (Early Models Only)
218	901-01-060-0681	7/16 - 20 x 1 1/2" Hex Hd Cap Screw			
219	904-02-020-1705	1/2" Lockwasher			
220	901-01-060-3120	1/2 - 13 x 1 3/4" Hex Cap Hd Screw			
221	422-03-406-0006	Adjusting Rod & Worm, Incl:			
222	905-01-010-2711	1/8 x 5/8" Roll Pin			
223	904-07-010-5554	3/8" Fiber Washer			
224	422-03-014-0009	Bracket			
225	426-03-388-0001	Stop Collar, Incl:	**	50-315	Steel Stand, Const of: (Early Models Only)
226	901-04-150-0208	1/4 - 20 x 1 1/4" Hex Soc Set Screw	**	436-02-066-0018	(4) Legs
227	904-07-010-5571	3/8" Fiber Washer	**	436-02-115-0073	Shelf
228	904-01-010-1606	3/8" Washer	**	901-02-030-0408	(24) 5/16 - 18 x 3/4" Flat Hd Screws
229	902-01-010-1300	5/16 - 18 Hex Nut	**	902-01-010-1300	(24) 5/16 - 18 Hex Nuts
230	904-01-010-1604	1/4" Washer	**	1086897	(2) 20" Tie Bars
231	422-03-089-0002	Support	**	1086898	(2) 22 1/2" Tie Bars
232	901-02-050-0707	5/16 - 18 x 1" Fil Hd Screw			
233	422-03-104-0002	Long Spacer			
234	422-03-104-0003	Short Spacer			
235	422-03-036-0001	Dust Deflector	300	906-10-010-3510	1/2 x 3" Pipe Nipple
236	901-02-030-5746	1/4 - 20 x 2 1/4" Flat Hd Screw	301	438-01-009-0001	Lock Nut
237	901-02-031-7612	1/4 - 20 x 1 1/4" Flat Hd Screw	302	438-01-011-0054	Sleeve
238	902-01-120-1034	1/4 - 20 Hex Nut	303	438-01-004-0007	Clamp
239	901-04-120-0185	1/4 - 20 x 1 1/4" Headless Set Screw	304	438-01-001-0036	Switch Box
240	901-04-190-0201	5/16 - 18 x 5/16" Hex Soc Set Screw	305	901-02-010-0577	#10 - 32 x 3/16" Rd Hd Screw
241	905-01-010-2702	1/4 x 5/8" Roll Pin	306	402-07-111-5002	Stud
242	902-01-200-9848	Arbor Nut	307	438-01-017-0101	Switch
243	422-04-103-5001	Flange	308	402-07-104-5007	Spacer Nut
244	34-105	Blade	309	438-01-308-0009	Switch Cover
245	422-03-106-0005	Shaft	310	901-02-010-0567	#6 - 32 x 1/4" Rd Hd Screw
*	422-03-314-0016	Complete Arbor Brkt Assy, Const of: (See Service Note D)			
246	905-01-010-2720	1/4 x 1" Roll Pin (See Service Note D)			
247	422-03-014-0011	Arbor Bracket (See Service Note D)	320	906-10-010-3510	1/2 x 3" Pipe Nipple
248	927-03-010-2662	3/16 x 3/16 x 3/4" Key (See Service Note D)	321	438-01-009-0001	Lock Nut
249	422-03-303-0007	Arbor (See Service Note D)	322	438-01-001-0030	Switch Box
250	1086894	Bearing (See Service Note D)	323	438-01-004-0007	Clamp
251	928-06-020-7382	Load Spring (See Service Note D)	324	901-02-140-0584	#10 - 32 x 3/8" Binding Hd Screw
252	1087857	Spacer (See Service Note D)	325	438-01-011-0050	Insulator
253	902-07-020-7176	Special Nut (See Service Note D)	326	438-01-021-0149	Switch Plate
254	902-01-200-9847	Special Nut (See Service Note D)	327	402-07-111-5002	Stud
255	901-04-150-0206	5/16 - 18 x 5/16" Hex Soc Set Screw (See Service Note D)	328	438-01-017-0099	Switch
256	926-01-041-8728	Arbor Pulley (See Service Note D)	329	402-07-104-5007	Spacer Nut
257	904-10-031-3826	Special Washer	330	438-01-308-0009	Switch Cover
258	901-01-060-0681	7/16 - 20 x 1 1/2" Hex Hd Cap Screw	331	901-02-010-0567	#6 - 32 x 1/4" Rd Hd Screw
259	422-03-014-0010	Rear Trunnion	*	NOT SHOWN ASSEMBLED	
260	422-03-014-0008	Motor Support Bracket	**	NOT SHOWN	
261	904-02-020-1705	1/2" Lockwasher			
262	901-01-060-3120	1/2 - 13 x 1 3/4" Hex Hd Cap Screw			
263	901-04-141-9152	1/4 - 20 x 5/16" Hex Soc Set Screw			
264	422-03-108-0005	Motor Plate Rod			
265	901-06-450-2250	#4 x 3/16" Drive Screw			
266	928-03-010-8867	Spring (Early Models Only)			
267	422-02-089-0005	Motor Plate			
268	901-11-020-0834	5/16 - 18 x 3/4" Carriage Bolt			
269	904-01-010-1604	1/4" Washer			
270	902-02-040-1303	5/16 - 18 Sq. Nut			

NOT INCLUDED WITH BASIC MACHINE

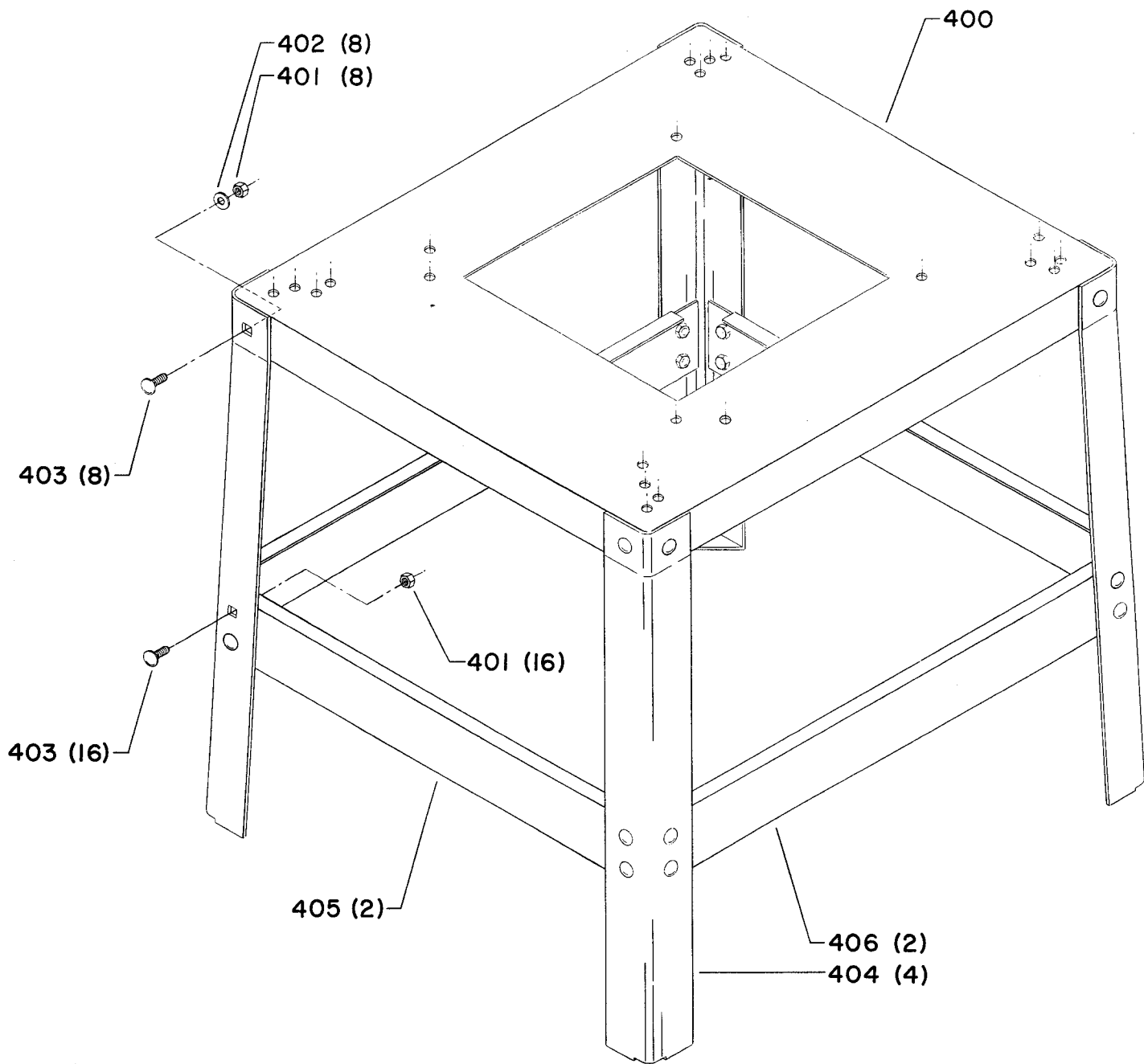
THREE PHASE ELECTRICAL COMPONENTS

SINGLE PHASE ELECTRICAL COMPONENTS

SERVICE NOTES:

D - When replacing Arbor Assembly parts for machines with serial numbers lower than D0-8276 it is necessary to order the complete Arbor Bracket Assembly part no. 422-03-314-0016.

This parts list is provided to aid in obtaining service parts. Copies of the instruction and maintenance literature can be obtained through the Delta Technical Publications Department or through your local service outlet.



REPLACEMENT PARTS

REF. NO.	PART NO.	DESCRIPTION
----------	----------	-------------

Not Included With Basic Machine

*	50-314	Steel Stand, Const. of: (Current Models Only)
400	436-02-115-0101	Shelf
401	902-01-010-1300	5/16-18 Hex Nut
402	904-01-010-1620	5/16" Flat Washer
403	901-11-020-0834	5/16-18 x 3/4" Carriage Bolt
404	436-02-066-0028	Leg
405	436-02-103-0011	20.915" Tie Bar
406	436-02-103-0010	23.415" Tie Bar

* NOT SHOWN ASSEMBLED

This parts list is provided to aid in obtaining service parts. Copies of the instruction and maintenance literature can be obtained through the Delta Technical Publications Department or through your local service outlet.

4280G