

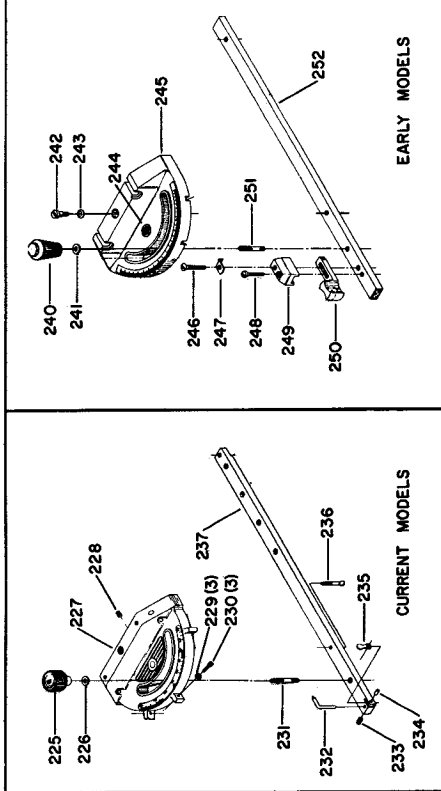
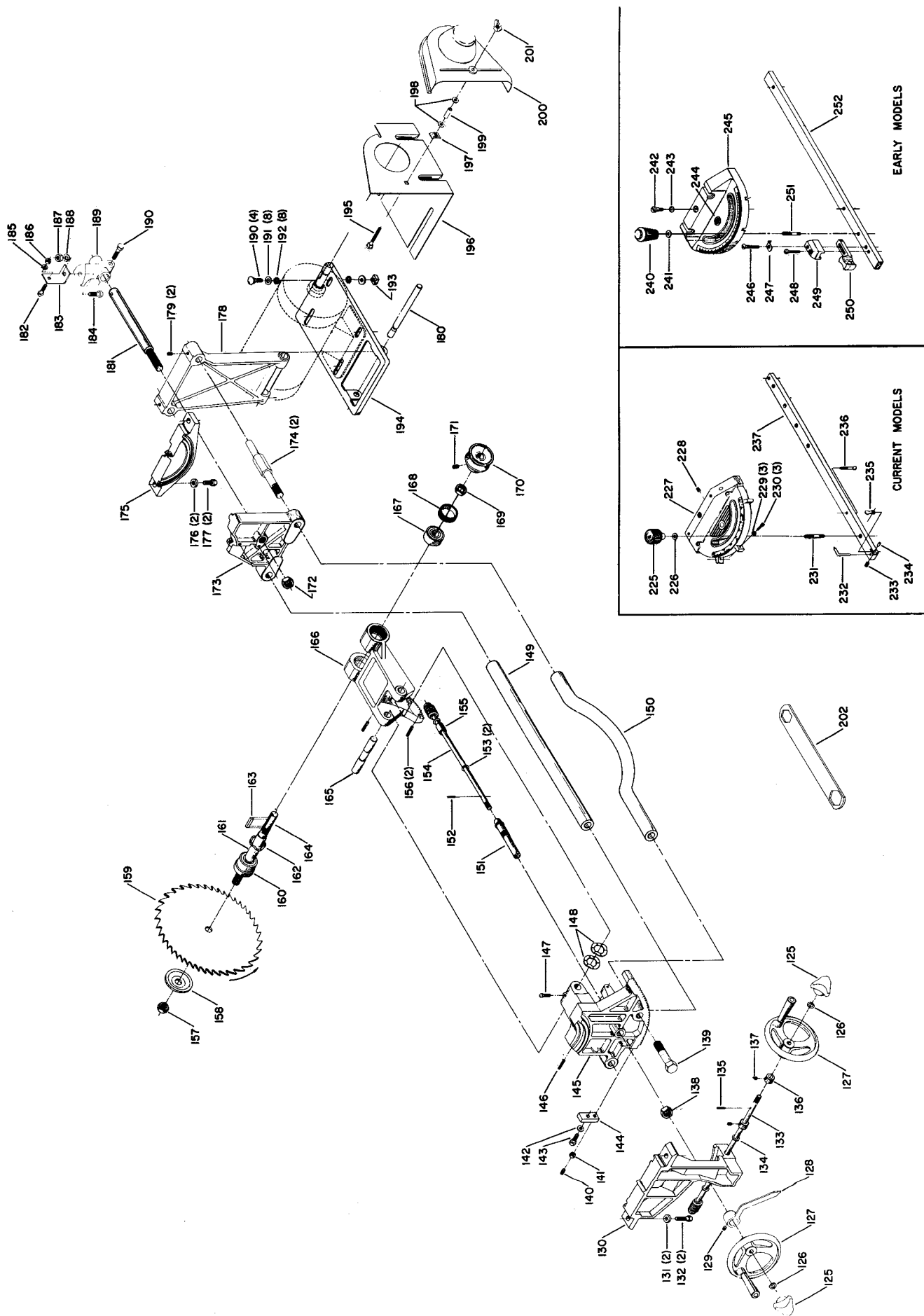
Replacement Parts

Ref. No.	Part No.	Description	Ref. No.	Part No.	Description
1	34-734	Table Insert, Incl.:	43	901-01-060-0603	1/4-20 x 7/8" Hex Hd. Scr.
2	901-02-321-7630	Hdls. Set Screw	44	901-01-060-0622	1/4-20 x 2" Hex Hd. Scr.
3	422-16-017-0003	Bushing	45	901-01-060-0649	5/16-18 x 1" Hex Hd. Cap Scr.
4	1087876	Table	46	904-01-010-1604	5/16 x 3/4 x 1/16" Washer
5	34-862	Extension Wing	47	422-04-314-0017	Brkt. Ass'y., Incl.:
6	902-01-020-1270	3/8"-24 Hex Nut	48	902-03-013-1063	(Current Model, See A)
7	904-02-020-1704	3/8" Lockwasher	49	904-01-010-1603	Tinnerman Nut
8	904-01-010-1605	3/8" Washer	50	901-01-060-0612	1/4 x 9/16 x 3/64" Washer
9	422-04-104-0001	Spacer	*	422-04-312-5007	1/4-20 x 5/8" Hex Hd. Cap Scr.
10	422-04-112-5007	3/8"-24 Special Screw	51	901-01-060-0605	Rip Fence, Const. of:
11	901-01-060-9969	7/16-20 x 2" Hex Hd. Cap Scr.	52	904-01-010-1604	5/16-18 x 1/2" Hex Hd. Cap Scr.
12	1088186	Spacer	53	422-04-010-5002	5/16 x 3/4 x .065" Washer
13	904-02-010-1716	7/16" Lockwasher	54	905-04-071-4459	Block
14	902-01-010-1232	7/16"-20 Hex Nut (Early Models Only)	55	928-01-041-4118	Pin
15	422-04-055-5002	Front Guide Rail	56	422-04-027-0001	Spring
16	422-04-055-5003	Rear Guide Rail	57	422-04-067-5001	Clamp Hook
17	422-16-754-0002	Warning Label	58	422-04-108-5001	Lever
18	424-01-014-0002	Switch Guard	59	422-04-343-5002	Rod
19	1087576	#3 Sheet Metal Screw	60	901-01-060-0677	Fence Body
20	1087904	Tilt Scale	61	904-01-030-1650	3/8-24 x 1 1/2" Hex Hd. Cap Scr.
21	902-01-010-1300	5/16"-18 Hex Nut	62	901-02-010-0551	25/64 x 1 1/16 x 1/16" Washer
22	904-01-010-1604	5/16 x 3/4 x 1/16" Washer	63	951-01-020-7849	#10-32 x 1/4" Rd. Hd.
23	422-03-089-0002	Support	*	422-04-312-5008	Pointer
24	901-02-050-0707	5/16-18 x 1" Fil. Hd. Scr.	64	422-04-071-5005	Front Clamp, Const. of:
25	1087900	Cabinet	65	422-04-071-5004	Pin
26	901-01-010-1604	5/16 x 3/4 x 1/16" Washer	66	422-04-111-5002	Pin
27	901-01-060-0606	5/16-18 x 5/8" Hex Hd. Scr.	67	422-04-351-5002	Stud
28	961-01-010-7462	Plug	68	422-04-327-5002	Knob and Pinion
*	1087915	Blade Guard, Const. of:	69	904-08-021-4550	Front Clamp Shoe, Incl.:
29	1087868	"See-Thru" Guard	70	422-04-071-0001	Rubber Bushing
30	1086388	Push Nut Cap	71	928-01-021-5301	Pin
31	1088388	Pin	72	931-01-011-4091	Spring
32	1086353	Kick Back Finger	73	928-01-201-5898	Ball Handle
33	1087894	Pin	74	422-04-012-5005	Spring
34	1088389	Push Nut	75	422-04-042-5002	Front Clamp Body
35	1086387	Pivot Bracket	76	901-04-160-6218	Eccentric
36	1086337	Splitter/Bushing	77	928-01-041-4123	1/4-20 x 1/4" Soc. Set Scr.
37	1087914	5/32 x 1 1/16" Roll Pin	78	422-04-105-5001	Spring
38	905-01-010-6729	5/16-18 x 5/8" Hex Hd. Scr.	79	400-06-079-0001	Sleeve
39	901-01-060-0606	Plate	80	400-06-603-0001	Retainer
40	422-03-072-0001	Bracket (Early Model, See A)			Envelope
41	422-04-014-5006	1/4 x 9/16 x 3/64" Washer			
42	904-01-010-1603				

* NOT SHOWN ASSEMBLED

Service Note

A. Early bracket was die cast - current bracket is sheet metal.



Replacement Parts

Ref. No.	Part No.	Description	Ref. No.	Part No.	Description
125	1087525	Knob	181	1088237	Shaft
126	904-07-020-5556	Washer	182	901-01-060-0611	1/4-20 x 1 1/2" Hex Hd. Cap Scr.
127	422-03-333-0002	Crank Assembly	183	1088236	Bracket
128	422-02-375-0002	Pointer Assembly, Incl.:	184	901-01-060-0607	5/16-18 x 3/4" Hex Hd. Cap Scr.
129	901-04-150-0203	1/4-20 x 1/4" Hex Soc. Set Scr.	185	904-02-020-1702	1/4" Lockwasher
130	1087233	Front Trunnion Bracket Ass'y.	186	902-01-120-1034	1/4"-20 Hex Nut
131	904-01-030-1643	21/64 x 1 1/16 x 1/8" Washer	187	902-01-010-1300	5/16"-18 Hex Nut
132	901-01-060-0649	5/16-18 x 1" Hex Hd. Cap Scr.	188	904-02-010-1703	5/16" Lockwasher
133	1087893	Tilt Shaft Assembly, Incl.:	189	422-02-014-0014	Bracket
**	905-01-010-2711	1/8 x 5/8" Roll Pin	190	901-01-060-0649	5/16-18 x 1" Hex Hd. Cap Scr.
134	904-07-010-5554	Fiber Washer	191	904-01-010-1604	5/16 x 3/4 x .056" Washer
135	903-01-010-2711	1/8 x 5/8" Roll Pin	192	904-03-030-1656	5/16" Ext. Tooth Lockwasher
136	426-03-388-0001	Set Collar, Incl.:	193	902-01-010-1300	5/16"-18 Hex Nut
137	901-04-150-0208	1/4-20 x 1/4" Hex Soc. Set Scr.	194	422-02-089-0005	Motor Plate
138	902-01-200-9846	Special Nut	*	34-965	Belt and Pulley Guard, Const. of:
139	1037889	Stud	195	901-11-020-0848	1/4-20 x 1 3/4" Car. Bolt
140	901-04-120-0108	1/4-20 x 3/4" Set Scr.	196	1088314	Guard Plate
141	902-01-120-1034	1/4"-20 Hex Nut	197	1088385	Speed Nut
142	904-01-010-1603	1/4 x 9/16 x 3/64" Washer	198	904-01-010-1603	1/4 x 9/16 x 3/64" Washer
143	901-01-060-0612	1/4-20 x 5/8" Hex Hd. Scr.	199	424-03-017-0003	Spacer
144	422-02-088-0001	Stop Block	200	1088315	Guard Cover
145	422-19-095-0001	Front Trunnion	201	902-04-010-1402	1/4"-20 Wing Nut
146	905-01-010-2710	3/16 x 7/8" Roll Pin	202	1087708	Wrench
147	901-04-020-0301	1/4-20 x 1/2" Sq. Hd. Set Scr.	**	41-043	Motor Pulley
148	929-06-010-7381	Spring Washer	**	400-06-133-0004	47" V-Belt
149	1087886	Tie Bar	*	34-895	Miter Gauge (Current Models), Const. of:
150	1087887	Tie Bar	225	931-02-010-1085	Handknob
151	422-02-105-0001	Sleeve	226	904-07-010-5555	Fiber Washer
152	905-01-010-2711	1/8 x 5/8" Roll Pin	227	422-01-050-0001	Miter Gauge
153	904-07-010-5554	Fiber Washer	228	901-04-410-4561	1/4-28 x 1 1/4" Headless Set Scr.
154	1037892	Elev. Shaft Ass'y., Incl.:	229	902-01-200-1086	Hex Nut
**	905-01-010-2711	1/8 x 5/8" Roll Pin	230	901-02-050-0723	#8-32 x 1/2" Fil. Hd. Scr.
155	1087087	Spacer	231	901-07-261-3237	Stud
156	905-01-010-2710	3/16 x 7/8" Roll Pin	232	951-01-041-3988	Pointer
157	902-01-200-9848	5/8"-12 L.H. Hex Arbor Nut	233	901-04-410-4561	1/4-28 x 1 1/4" Headless Set Scr.
158	422-04-103-5001	Flange	234	905-04-061-2351	Steel Pin
159	33-197	12" Com. Blade	235	422-01-088-0002	Stop Link
160	1086894	Bearing	236	422-01-112-0001	Pivot Screw
161	1087857	Spacer	237	422-01-004-0004	Guide Bar
162	928-06-020-7382	Load Spring	34-578	1087524	Miter Gauge (Early Models), Const. of:
163	927-03-010-2662	3/16 x 3/16 x 7/8" Key	240	1087524	Handknob
164	422-03-303-0002	Arbor W/Flange	241	904-07-010-5555	Washer
165	952-01-101-3267	Shaft	242	1086924	Special Screw
166	1087874	Arbor Bracket	243	1086926	Spring Washer
167	1086894	Bearing	244	1087689	Emblem
168	902-07-020-7176	Spanner Nut	245	1086399	Miter Gauge
169	901-01-200-9847	Special Nut	246	901-02-010-7794	#10-24 x 1 1/4" Rd. Hd. Scr.
170	41-043	Arbor Pulley, Incl.:	247	951-01-020-7849	Pointer
171	901-04-150-0206	5/16-18 x 5/16" Hex Soc. Set Scr.	248	901-02-052-2002	#10-32 x 1" Fil. Hd. Scr.
172	902-01-020-1226	5/8"-13 Hex Jam Nut	249	1086393	Guide Block
173	422-19-095-0002	Rear Trunnion	250	1086392	Plunger
174	1087890	Stud	251	1087519	Stud
175	422-02-014-0010	Rear Trunnion Bracket	252	422-16-004-0006	Guide Bar
176	904-01-030-1643	21/64 x 1 1/16 x 1/8" Washer			
177	901-01-060-0649	5/16-18 x 1" Hex Hd. Cap Scr.			
*	1087908	Motor Bracket Ass'y., Const. of:	*		NOT SHOWN ASSEMBLED
178	1087902	Motor Bracket	**		NOT SHOWN
179	901-04-141-9152	1/4-20 x 5/16" Soc. Hd. Set Scr.			
180	422-03-108-0005	Motor Plate Rod			