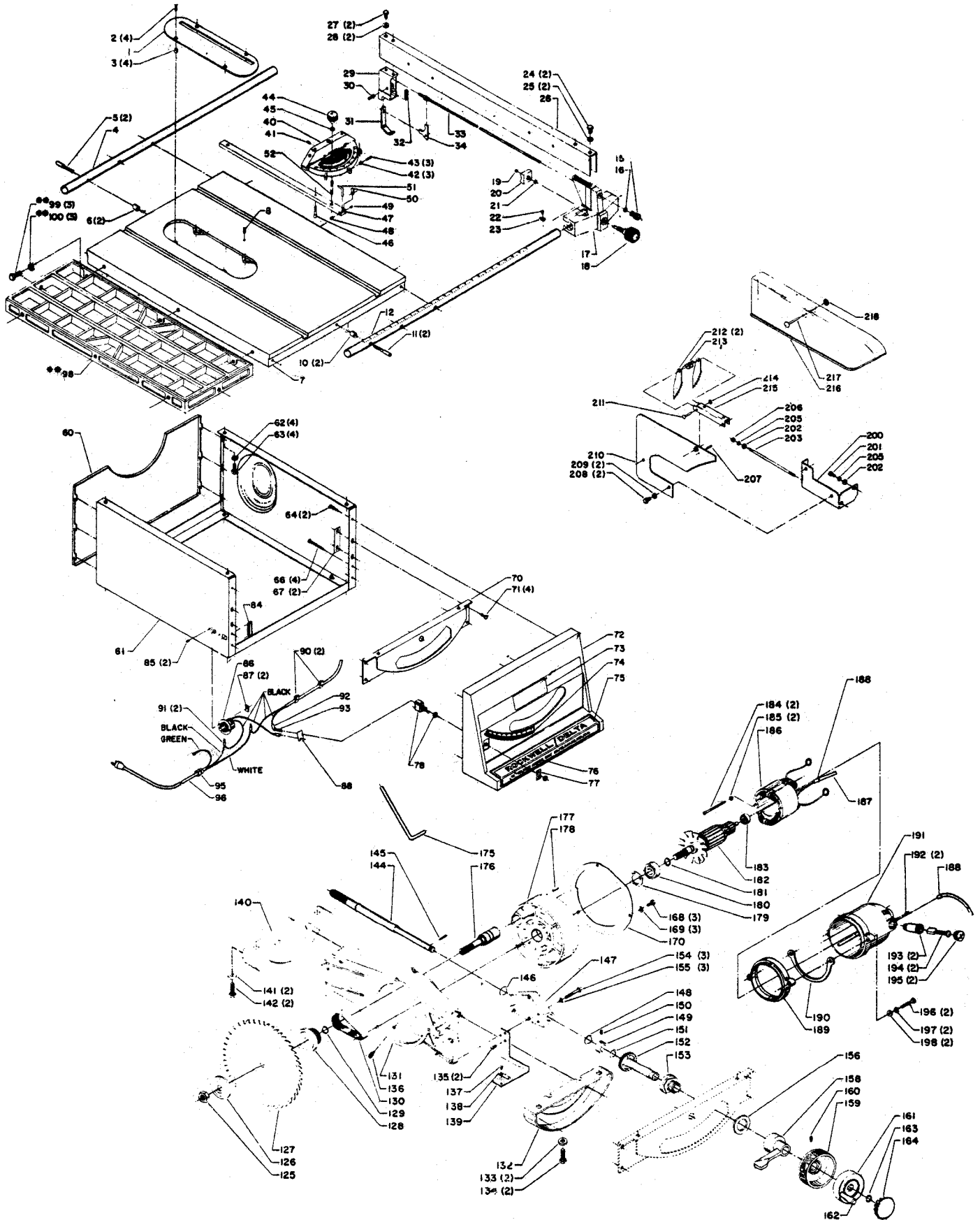




34-335 AND 34-336 10" MOTORIZED SAW (BEGINNING WITH SERIAL NO. EK-3600)

CS-4H

Revised 3-15-85



Replacement Parts

Ref. No.	Part No.	Description	Ref. No.	Part No.	Description
1	34-822	Standard Insert, Incl:	131	1085769	Bracket
2	901-02-321-7630	#10-32 X 5/8 Flat Hd. Mach. Scr.	132	422-16-095-0001	Trunnion
3	422-16-017-0003	9/64 X 3/8 X 1/4 Rubber Bushing	133	904-01-032-0661	13/32 X 7/8 X .180 Washer
4	422-16-055-0004	Guide Rail - Rear	134	901-01-060-0642	3/8-16 X 1 Hex Hd. Cap Scr.
5	422-03-112-0003	5/16-18 Spec. Screw	135	901-02-010-0561	#10-32 X 3/8 Rd. Hd. Mach. Scr.
6	422-16-104-0001	Spacer	136	907-01-050-5241	Grease Fitting
7	1085450	Table	137	901-02-010-0558	#8-32 X 1/4 Rd. Hd. Mach. Scr.
8	901-04-080-0154	#10-32 X 3/8 Headless Set Scr.	138	422-15-075-0001	Pointer
10	422-16-104-0001	Spacer	139	422-15-060-0001	Holder
11	422-03-112-0003	5/16-18 Spec. Screw	140	422-16-095-0001	Trunnion
12	422-16-055-0005	Guide Rail - Front	141	904-01-032-0661	13/32 X 7/8 X .180 Washer
*	422-16-343-0003	Rip Fence Complete, Const. Of:	142	901-01-060-0642	3/8-16 X 1 Hex Hd. Cap Scr.
15	1087534	Knurled Knob	*	422-15-314-0001	Control Shaft Bracket Ass'y., Const. Of:
16	904-01-010-1603	1/4 X 9/16 X 3/64 Washer	144	422-15-406-0001	Control Shaft w/Ring
17	422-16-310-0004	Front Clamp, Const. Of:	145	905-01-010-2704	1/8 X 3/4 Roll Pin
18	1087531	Knob w/Stud	146	904-02-011-4237	3/4 X 11/16 X 1/32 Fiber Washer
19	904-15-012-1553	Retaining Ring (Early Models)	147	422-15-014-0001	Control Shaft Bracket
20	1087212	Clamp Block	148	904-02-011-4237	3/4 X 11/16 X 1/32 Fiber Washer
21	904-01-031-7720	21/64 X 1/2 X .032 Washer	149	904-10-991-5996	Set Collar, Incl:
22	901-02-010-0551	#10-32 X 1/4 Rd. Hd. Mach. Scr.	150	901-04-150-0208	1/4-20 X 1/4 Hex Soc. Set Scr.
23	422-16-075-0003	Pointer	151	904-07-011-7783	37/64 X 7/8 X 1/32 Fiber Washer
24	901-01-060-9929	3/8-24 X 5/8 Hex Hd. Cap Scr.	152	422-16-351-0001	Gear (24 Teeth) w/Sleeve
25	904-01-030-1650	25/64 X 11/16 X 1/16 Washer	153	1087581	Tilt Clamp
*	422-16-343-0002	Rip Fence, Const. Of:	154	901-01-060-3124	1/4-20 X 1-1/2 Hex Hd. Cap Scr.
26	422-04-343-5001	Fence	155	904-02-020-1702	1/4 Lockwasher
27	901-01-060-0605	5/16-18 X 1/2 Hex Hd. Cap Scr.	156	904-01-031-7718	1 3/16 X 2 X 1/8 Washer
28	904-01-010-1604	5/16 X 3/4 X 1/16 Washer	158	422-16-067-0002	Lock Lever
29	422-04-010-5002	Rear Clamp Block	159	1085957	Tilt Handwheel, Incl:
30	905-04-071-4459	1/4 X 51/64 Pin	160	901-04-150-6215	1/4-20 X 3/8 Hex Soc. Set Scr.
31	422-03-027-0001	Rear Clamp Block	161	1085956	Elevating Handwheel, Incl:
32	928-01-041-4118	Spring	162	905-07-011-3111	Pin
33	422-04-108-5001	Rod	163	908-13-062-0865	"O" Ring
34	422-04-067-5001	Lever	164	448-01-031-0002	Hole Plug
*	50-864	Miter Gage Complete, Const. Of:	168	901-01-060-0611	1/4-20 X 1/2 Hex Hd. Cap Scr.
40	422-01-355-0004	Miter Gage Body, Incl:	169	904-02-020-1702	1/4 Lockwasher
41	901-04-410-4561	1/4-28 X 1/4 Headless Set Scr.	170	422-15-079-0001	Retainer
42	902-01-200-1086	Special Hex Nut	175	955-03-020-2200	5/16" Hex Soc. Long Wrench
43	901-02-050-0723	#8-32 X 1/2" Fil. Hd. Scr.	*	438-02-314-0585	Motor Assembly Complete, Const. Of:
44	931-02-010-1085	Handknob	176	920-10-061-6625	Arbor Bearing w/Ring
45	904-07-010-5555	Fiber Washer	177	422-16-035-0002	Motor End Bell
46	422-01-112-0001	Pivot Screw	178	905-01-010-2707	5/32 X 1/2 Roll Pin
47	422-01-304-0001	Guide Bar, Incl:	179	928-07-010-7355	Bearing Load Spring
48	901-04-410-4561	1/4-28 X 1/4 Headless Set Scr.	180	920-04-020-5335	Bell Bearing
49	905-04-061-2351	Steel Pin	181	904-15-012-0293	Retaining Ring
50	422-01-088-0002	Stop Link	182	438-02-335-0018	Armature Assembly
51	951-01-041-3988	Pointer	183	920-04-021-6624	Ball Bearing
52	901-07-261-3237	Stud	184	901-02-052-2037	#10-32 X 3 Fil. Hd. Mach. Scr.
60	422-15-031-0002	Back Cover	185	904-03-020-1775	#10 Int. Tooth Lockwasher
61	422-15-331-0001	Cabinet Assembly	186	438-02-336-0009	Field Assembly
62	904-02-020-1704	3/8 Lockwasher	187	438-01-011-0029	Insulating Tubing
63	901-01-060-0640	3/8-16 X 3/4 Hex Hd. Cap Scr.	188		Staple Ring
64	901-05-221-7373	#12-24 X 1 Hex Hd. Thread Cutting Scr.	189	422-16-104-0006	Spacer
66	901-05-221-7374	#12-24 X 2 Hex Hd. Thread Cutting Scr.	190	422-16-051-0001	Elevating Gear
67	902-03-060-2977	Timmerman Nut	191	422-16-031-0008	Motor Cover
70	422-15-014-0002	Bracket	192	901-04-080-0154	#10-32 X 3/8 Headless Set Scr.
71	901-05-211-7372	#14A X 5/8 Hex Hd. Sheet Metal Scr.	193	438-02-011-0001	Brush Holder
72	1085842	Front Cover Assembly, Incl:	194	438-02-007-0001	Brush
73	Nameplate	By Request Only	195	803250	Brush Cap
74	960-03-012-0425	Scale	196	901-01-060-0619	1/4-20 X 1-3/4 Hex Hd. Cap Scr.
75	Nameplate	By Request Only	197	904-02-020-1702	1/4 Lockwasher
76	1086357	10" T.A.S. Nameplate	198	904-01-010-1614	9/32 X 5/8 X 1/16 Washer
77	438-01-021-0105	Switch Plate	*	422-16-354-0003	Blade Guard, Const. Of:
78	438-01-017-0079	Switch w/Lock Nuts	200	1086103	Bracket Assembly
84	Cannot Furnish	Bumper	201	901-01-060-0611	1/4-20 X 1/2" Hex Hd. Scr.
85	901-02-010-0564	#6-32 X 3/8 Rd. Hd. Mach. Scr.	202	904-01-010-1614	9/32 X 5/8 X 1/16" Washer
86	438-01-317-0028	Overload Switch	203	422-16-111-0004	Stud
87	902-03-000-2954	Timmerman Speed Nut	205	904-02-020-1702	1/4" Split Lockwasher
88	438-01-011-0035	Insulator	206	902-01-120-1034	1/4"-20 Hex Jam Nut
90	422-15-027-0001	Cable Clamp	207	905-01-010-6729	5/32 X 11/16" Roll Pin
91	438-01-007-0041	Wire Connector	208	901-01-060-0629	5/16-18 X 3/8" Hex Hd. Scr.
92	422-16-105-0002	Sleeve	209	904-01-010-1620	11/32 X 11/16 X 1/16" Washer
93	438-01-018-0026	Terminal	210	1086349	Splitter Assembly
95	438-01-004-0050	Clamp	211	422-16-071-0002	Pin
96	438-01-302-0224	Cord Set	212	422-16-047-0001	Kick Back Finger
** 98	34-862	Extension Wing, Incl:	213	1086353	Spring
** 99	901-01-060-0664	7/16-20 X 1 Hex Hd. Cap Scr.	214	1086387	Push Nut
** 100	904-02-010-1716	7/16 Lockwasher	215	1086337	Pivot Bracket
125	902-01-201-2567	5/8-18 Arbor Nut	216	1086334	"See-Thru" Guard
126	422-03-103-5001	Flange	217	1086351	Pin
127	33-247	10" Combination Blade	218	1086388	Push Nut (Cap)
128	422-16-403-0003	Arbor Pulley Flange (36 Teeth)			
129	904-01-012-2479	5/8 X 3/4 X 1/16 Brass Washer	*	NOT SHOWN ASSEMBLED	
130	49-081	Positive Drive Belt	**	These parts are not furnished with Basic Machine.	