

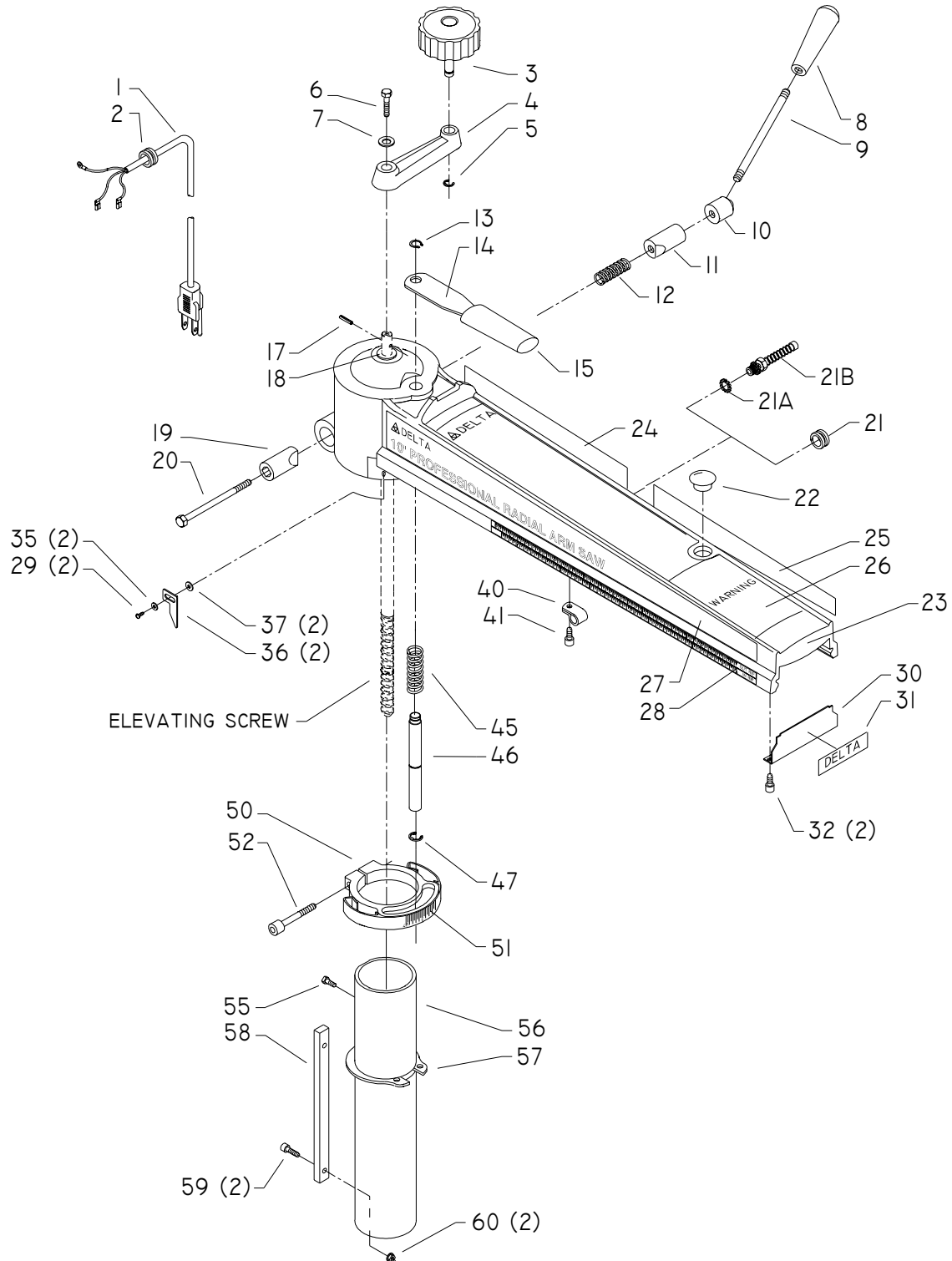


33-830
10" PROFESSIONAL
RADIAL ARM SAW

RAS-2G-2

PART NO. 424-12-651-0032

Revised: 04/12/02

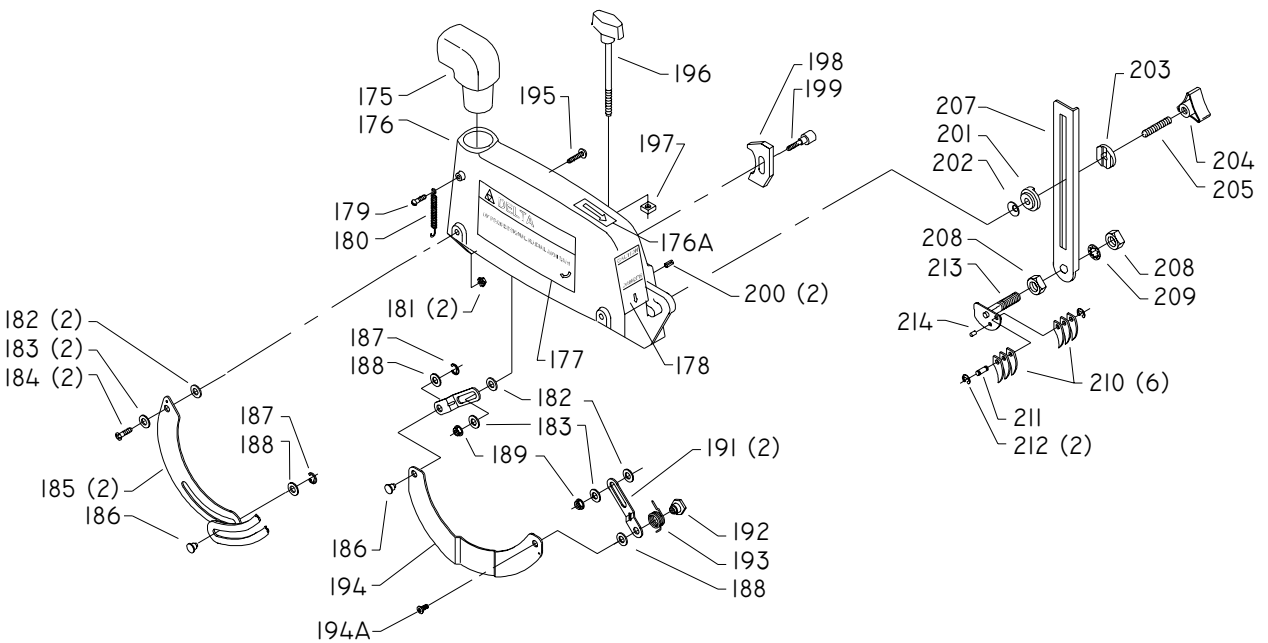
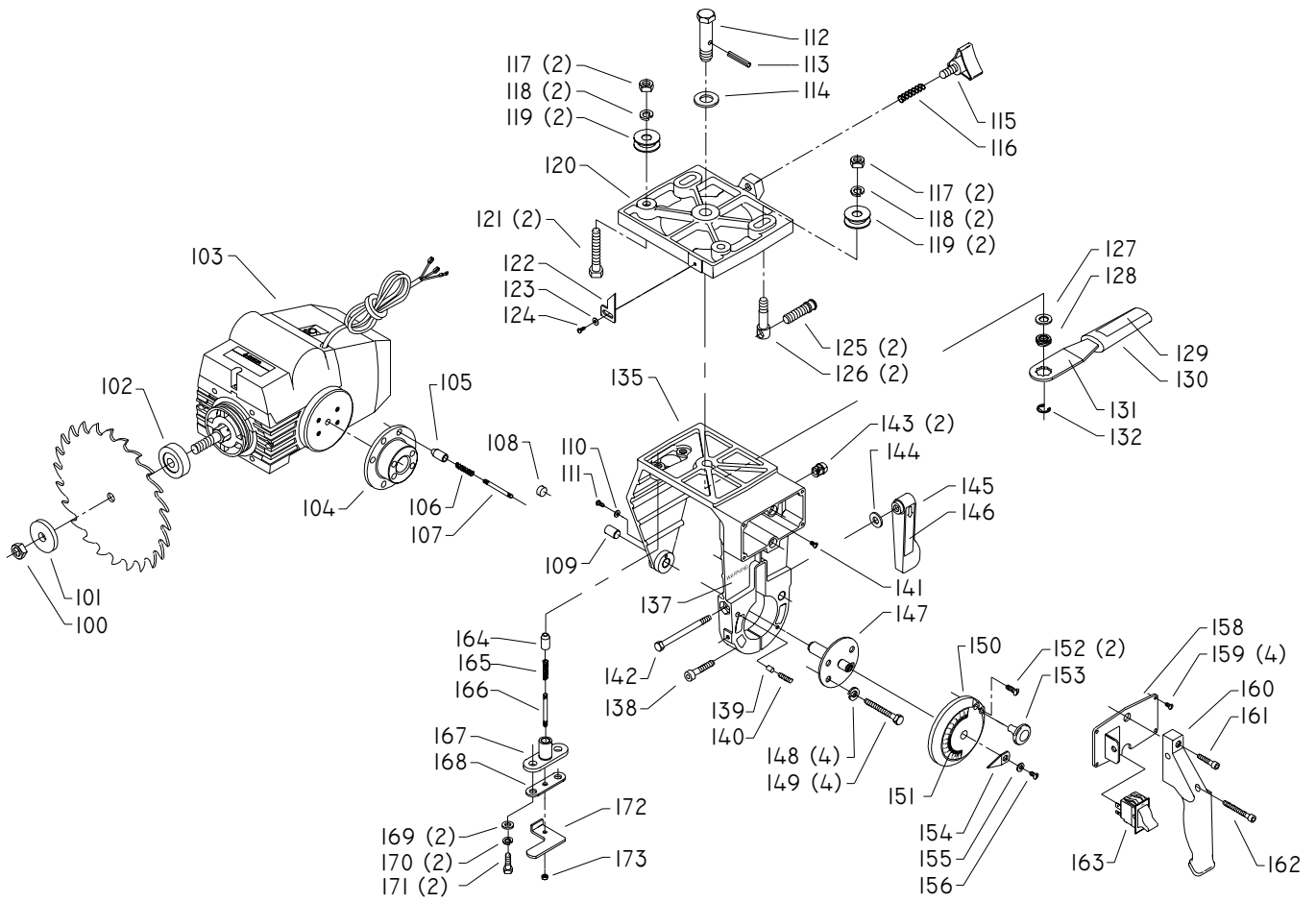


REPLACEMENT PARTS

Ref.	No.	Part No.	Description
	1	438-01-302-0384	CORD
	2	438-01-011-0055	GROMMET
	3	424-12-138-0002	KNOB
	4	424-12-033-0004	CRANK
	5	904-15-062-0283	EXT RET RING
	6	901-01-063-1656	1/4-20 X 3/4" HEX HD SCREW
	7	904-01-010-1604	5/16" FLAT WASHER
	8	424-12-138-0005	KNOB
	9	424-12-067-0007	HANDLE
	10	424-12-079-0021	LOCK NUT
	11	424-02-027-0010	CLAMP
	12	432-02-122-0001	SPRING
	13	904-15-010-7018	EXT RET RING
	14	424-12-067-0008	LEVER
	15	424-12-405-0001	GRIP
	17	905-01-010-2732	5/32" X 1" SPRING PIN
	18	920-76-033-1392	THRUST BEARING
	19	424-02-027-0010	CLAMP
	20	424-12-112-0013	SPECIAL SCREW
	21	438-01-011-0055	GROMMET EARLY T1
	21B	438-01-004-0102	STRAIN RELIEF LATE T1, T2
	21A	438-01-009-0001	LOCK NUT (CMO)
	22	422-02-074-0001	HOLE PLUG
	23	n 424-12-428-0002	TRACK, T2 INCL.: (SEE NOTE A)
		424-12-428-0001	TRACK, T1 INCL.: (SEE NOTE A)
	24	424-12-754-0018	DECAL, T2
		424-12-754-0006	DECAL, T1
	25	424-12-754-0005	DECAL, T1 ONLY
	26	424-12-754-0016	DECAL, T2
		424-12-754-0001	DECAL, T1
	27	424-12-754-0017	DECAL, T2
		424-12-754-0004	DECAL, T1
	28	424-12-132-0013	SCALE, T2
		424-12-132-0011	SCALE, T1
	29	901-06-443-1806	#10-24 X 1/2" HEX HD SCREW
	30	424-12-031-0015	COVER
	31	1346700	SWITCH LABEL T1 ONLY
	32	901-03-010-3318	#10-32 X 3/8" HEX SOC HD SCREW
	35	904-01-010-1610	FLAT WASHER
	36	424-12-075-0006	POINTER
	37	904-01-031-2934	1/4" FLAT WASHER
	40	438-01-004-0015	CABLE CLAMP 5/16"
	41	901-03-010-3318	#10-32 X 3/8" HEX SOC HD SCREW
	45	424-12-122-0007	SPRING
	46	424-12-071-0011	LOCK PIN
	47	904-15-011-7116	EXT RET RING
	50	424-12-331-0008	INDEX RING, T2 INCL.:
		424-12-331-0006	INDEX RING, T1 INCL.:
	51	424-12-132-0015	SCALE, T2
		424-12-132-0012	SCALE, T1
	52	901-03-013-1698	5/16-18 X 2" HEX SOC HD SCREW
	55	901-03-010-0763	1/4-20 X 3/8" HEX SOC HD SCREW EARLY T1
		901-03-010-3350	5/16-18 X 1/2" HEX SOC HD SCREW LATE T1, T2
	56	424-12-330-0008	COLUMN ASSY, INCL.:
	57	424-12-079-0020	RETAINING RING
	58	424-12-004-0004	KEY
	59	901-03-010-0755	1/4-20 X 3/4" HEX SOC HD SCREW
	60	902-01-133-1529	1/4-20 FLANGE NUT
	*		NOT SHOWN ASSEMBLED EMO=EARLY MODELS ONLY CMO=CURRENT MODELS

SERVICE NOTE:

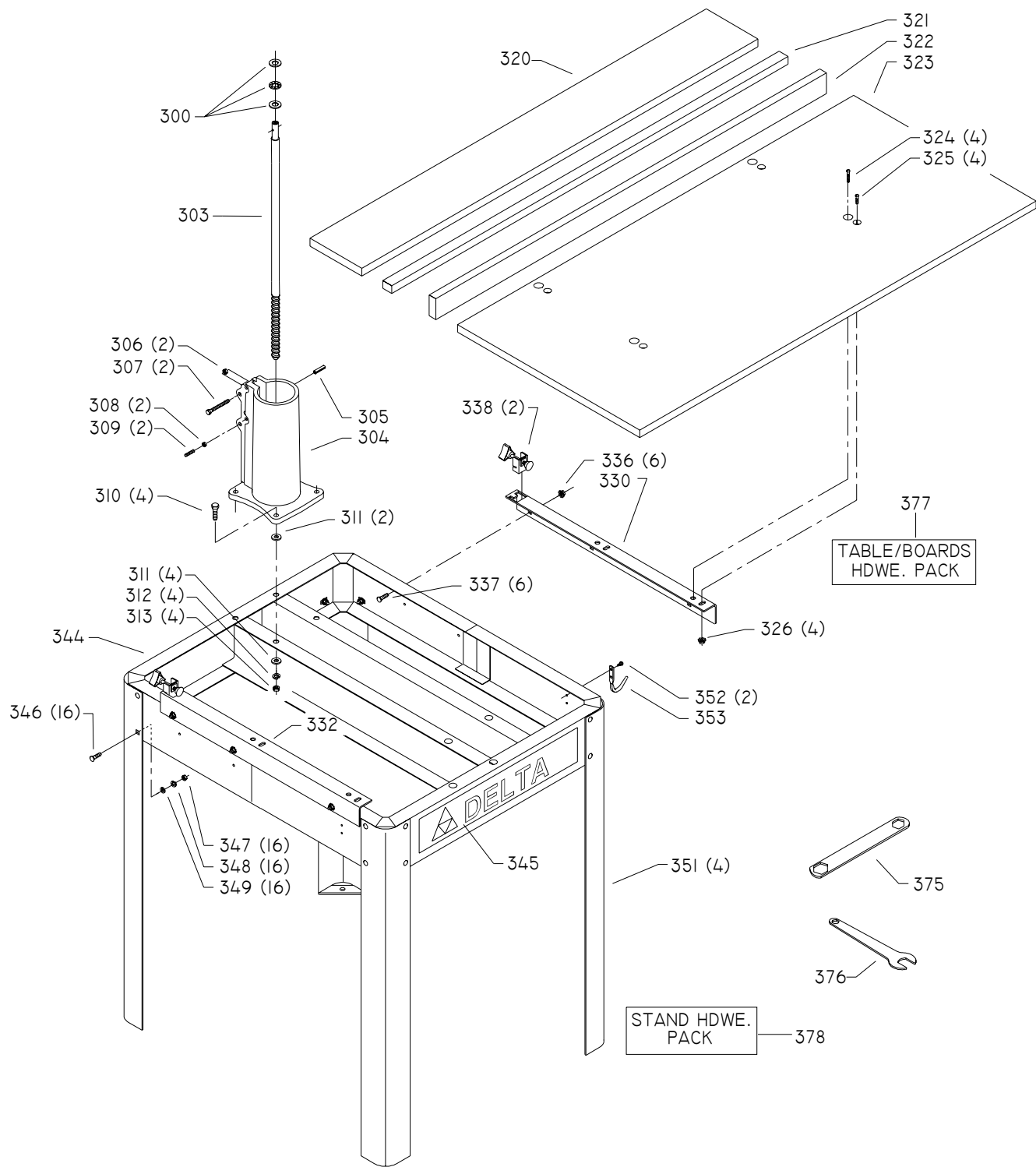
A – For Track Arm removal guidance, See Product Service Bulletin ST-332.



REPLACEMENT PARTS

Ref.			Ref.		
No.	Part No.	Description	No.	Part No.	Description
100	424-12-079-0007	ARBOR NUT	160	424-12-067-0006	HANDLE
101	424-01-103-0001	ARBOR COLLAR	161	901-03-010-3345	1/4-20 X 1" HEX SOC HD SCREW
102	424-12-103-0002	FLANGE	162	901-03-013-1026	1/4-20 X 1 3/4" HEX SOC HD SCREW
103	424-02-131-0014	MOTOR ASSY COMPLETE, CONST OF:	163	438-01-017-0206	SWITCH
*	438-01-008-0075	COVER	164	424-12-071-0006	INDEX PIN
*	438-01-008-0076	MOTOR HOUSING	165	424-12-122-0006	INDEX SPRING
*	438-01-017-0214	OVERLOAD	166	424-12-111-0005	RIP REL EASE STUD
*	438-01-017-0215	SWITCH MODULE	167	424-12-012-0001	BODY
*	438-01-029-0024	RUN CAPACITOR	168	424-12-072-0011	INDEX PLATE
*	438-01-029-0025	START CAPACITOR	169	904-01-010-1620	FLAT WASHER
*	438-02-033-0016	BRAKE ASSY	170	904-02-010-1703	5/16" LOCK WASHER
104	424-12-095-0002	TRUNNION	171	901-01-060-0649	5/16-18 X 1" HEX HD SCREW
105	424-12-071-0006	INDEX PIN	172	424-12-067-0004	INDEX RELEASE
106	424-12-122-0006	INDEX SPRING	173	902-01-120-1203	#10-32 HEX NUT
107	424-12-111-0002	INDEX STUD	*	424-12-354-0012	BLADE GUARD ASSY., T2 INCL.:
108	410-09-016-0004	BUMPER	175	424-12-354-0007	BLADE GUARD ASSY., T1 INCL.:
109	424-12-071-0002	PIN	176	424-08-001-0001	DUST SPOUT
110	904-01-010-1602	3/16" FLAT WASHER	176A	424-12-354-0011	BLADE GUARD, INCL.:
111	901-05-163-1126	#08-32 X 5/16" PAN HD SCREW	177	424-12-754-0012	DIRECTION ARROW
112	424-12-079-0019	BOLT	177	424-12-754-0019	NAMEPLATE, T2
113	905-01-010-6715	3/16" X 5/8" SPRING PIN	178	424-12-754-0008	NAMEPLATE, T1
114	904-01-010-1636	FLAT WASHER	179	424-12-752-0048	WARNING LABEL, T2
115	424-12-138-0004	KNOB	180	424-12-072-0014	WARNING LABEL, T1
116	424-12-122-0004	SPRING	181	901-05-183-1142	#10-32 X 5/8" PAN HD SCREW
117	902-01-010-1300	5/16-18 HEX NUT	182	424-12-122-0003	SPRING
118	904-02-010-1703	5/16" LOCK WASHER	181	902-01-293-1240	1/4-20 KEPS NUT
119	424-12-080-0004	BEARING	182	424-12-104-0003	FLANGED SPACER
120	424-12-057-0006	ROLLER HEAD	183	904-01-031-4993	FLAT WASHER
121	901-01-060-0609	5/16-18 X 1 1/2" HEX HD SCREW	184	901-02-403-1131	1/4-20 X 7/8" TRUSS HD SCREW
122	424-12-075-0006	POINTER	185	424-12-054-0002	FRONT LEAF GUARD
123	904-01-010-1610	FLAT WASHER	186	424-12-071-0004	PIN
124	901-06-143-1757	#10-24 X 3/8" PAN HD SCREW	187	904-15-062-0269	EXT RET RING
125	424-12-112-0011	SPECIAL SCREW	188	904-07-010-5571	FIBER WASHER
126	424-12-112-0010	SPECIAL SCREW	189	902-01-293-1240	1/4-20 KEPS NUT
127	904-01-010-1636	FLAT WASHER	191	424-12-135-0001	LINK
128	424-12-079-0018	NUT	192	424-12-079-0010	NUT
129	424-12-405-0001	GRIP, INCL:	193	424-12-122-0002	SPRING
130	424-12-752-0016	WARNING LABEL	194	424-12-354-0001	REAR LEAF GUARD ASSY, INCL:
131	424-12-067-0001	LOCK LEVER	194A	901-03-040-8015	1/4-20 X 1/2" BUTTON HD SCREW (CMO)
132	904-15-063-1805	EXT RET RING	195	901-02-403-1131	1/4-20 X 7/8" TRUSS HD SCREW
135	424-12-102-0008	YOKE, T2 INCL.:	196	432-09-106-0004	KNOB ASSY
	424-12-102-0002	YOKE, T1 INCL:	197	902-02-040-1303	5/16-18 SQUARE NUT
137	424-12-752-0049	WARNING LABEL, T2	198	424-12-027-0014	CLAMP CAM
	424-12-072-0021	WARNING LABEL, T1	199	424-12-112-0006	SHOLDER SCREW
138	901-03-010-0779	5/16-18 X 1 1/2" HEX SOC HD SCREW LATE T1,	200	905-01-011-9301	3/16" X 3/8" SPRING PIN
139	424-12-074-0002	NYLON DRAG PLUG EARLY T1	201	424-12-060-0004	HOLDER
140	904-01-150-9440	1/4-20 X 1/2" HEX SOC SET SCREW EARLY T1	202	904-03-063-1134	3/8" SPRING WASHER
141	901-06-143-1757	#10-24 X 3/8" PAN HD SCREW	203	424-12-027-0006	CLAMP
142	424-12-079-0003	LOCK SCREW	204	424-12-138-0003	KNOB
143	438-01-004-0062	HEYCO BUSHING 5/8"	205	901-06-693-1132	STUD
144	904-01-010-1605	3/8" FLAT WASHER	*	424-12-304-0002	SPLITTER BAR ASSY, INCL:
145	424-12-327-0005	CLAMP HANDLE, INCL:	207	424-12-004-0003	SPLITTER BAR
146	424-12-752-0017	LABEL	208	902-01-020-1227	1/2-20 JAM NUT
147	424-12-371-0001	TRUNNION PIN ASSY	209	904-03-020-1773	1/2" INT TOOTH WASHER
148	904-02-010-1703	5/16" LOCK WASHER	210	424-04-047-0002	ANTI-KICK FINGER
149	901-01-060-0635	5/16-18 X 2" HEX HD SCREW	211	424-12-071-0010	PIN
150	424-12-331-0009	COVER ASSEMBLY, T2 INCL:	212	904-15-062-0269	EXT RET RING
	424-12-331-0002	COVER ASSEMBLY, T1 INCL:	213	424-12-386-0001	SPLITTER ASSY
151	424-12-132-0014	BEVEL SCALE, T2	214	905-01-011-9326	3/32" X 11/16" SPRING PIN
	424-12-132-0005	BEVEL SCALE, T1			
152	901-02-443-1195	#10-32 X 3/4" PAN HD SCREW			
153	424-12-060-0002	BEVEL INDEX KNOB			
154	424-12-075-0004	BEVEL POINTER			
155	904-01-010-1602	3/16" FLAT WASHER			
156	901-05-163-1126	#08-32 X 5/16" PAN HD SCREW			
159	424-12-072-0023	PLATE			

* NOT SHOWN ASSEMBLED
 ** NOT SHOWN
 EMO=EARLY MODELS ONLY
 CMO=CURRENT MODELS



REPLACEMENT PARTS

Ref.	No.	Part No.	Description
	300	424-12-628-0017	BEARING (KIT INCL.: 2 WASHER & 1 BEARI
	303	424-12-112-0012	SPECIAL SCREW
	304	424-12-305-0007	COLUMN BASE, INCL:
	305	905-01-010-6749	5/16" X 1 1/2" SPRING PIN
	306	902-01-010-1300	5/16-18 HEX NUT
	307	424-12-112-0015	SPECIAL SCREW
	308	902-01-120-1034	1/4-20 HEX NUT
	309	424-12-112-0009	BRASS TIP SET SCREW
	310	901-01-060-0648	3/8-16 X 1 1/4" HEX HD SCREW
	311	904-01-010-1606	7/16" FLAT WASHER
	312	904-02-020-1704	3/8" LOCK WASHER
	313	902-01-010-5900	3/8-16 JAM NUT
	*	424-12-311-0010	TABLE BOARD SET, T2 INCL.:
		424-12-311-0007	TABLE BOARD SET, T1 INCL.:
	320	424-12-011-0010	BOARD
	321	424-12-011-0011	BOARD, T2
		424-12-011-0008	BOARD, T1
	322	424-12-043-0006	FENCE, T2
		424-12-043-0004	FENCE, T1
	323	424-12-011-0009	BOARD, T2
		424-12-011-0006	BOARD, T1
	324	901-02-010-0535	1/4-20 X 1 1/4" ROUND HD SCREW
	325	901-02-010-0501	1/4-20 X 1" ROUND HD SCREW
	326	902-01-133-1529	1/4-20 FLANGE NUT
	330	424-12-389-0006	RIGHT SUPPORT, T2
		424-12-389-0003	RIGHT SUPPORT, T1
	332	424-12-389-0007	LEFT SUPPORT, T2
		424-12-389-0004	LEFT SUPPORT, T1
	336	902-01-503-1514	5/16-18 FLANGE NUT
	337	901-11-023-1476	5/16-18 X 5/8" CARRIAGE HD SCREW
	338	424-12-314-0004	CLAMP
	344	424-12-305-0009	BASE ASSY., T2 INCL.:
	345	424-12-754-0014	NAMEPLATE
		424-12-754-0007	NAMEPLATE, T1
	346	901-11-023-1476	5/16-18 X 5/8" CARRIAGE HD SCREW
	347	902-01-010-1300	5/16-18 HEX NUT
	348	904-03-030-1656	5/16" EXT TOOTH WASHER
	349	904-01-010-1620	FLAT WASHER
	351	424-12-366-0002	LEG
	352	901-05-213-1498	#10 X 1/2" HEX WASHER HD SCREW
	353	422-35-060-0001	WRENCH HOOK
	375	422-39-101-0001	WRENCH-7/8 X 1/2"
	376	955-01-050-1482	7/8" OPEN END - 1/2" BOX WRENCH
	377	n 424-12-725-0003	TABLE/BOARDS HDWE PACK
	378	n 424-12-725-0002	STAND HARDWARE PACK

* NOT SHOWN ASSEMBLED

STANDARD SAFETY EQUIPMENT

In order to promote tool safety, Delta Machinery strictly enforces the policy of repairing or replacing any damaged or missing standard safety equipment on machines presented to Delta Authorized Service Centers for service/repairs. Any product that is presented to a Delta Authorized Service Centers for repairs which contains missing or damaged standard safety equipment will have that equipment repaired or replaced and the customer will be charged for any such service/repairs. Customers can avoid such charges only if the missing safety component is supplied to the service center at the time of repair.

This parts list is provided to aid in obtaining service parts. Copies of the instruction and maintenance literature can be obtained through the Delta Technical Publications Department or through your service outlet.