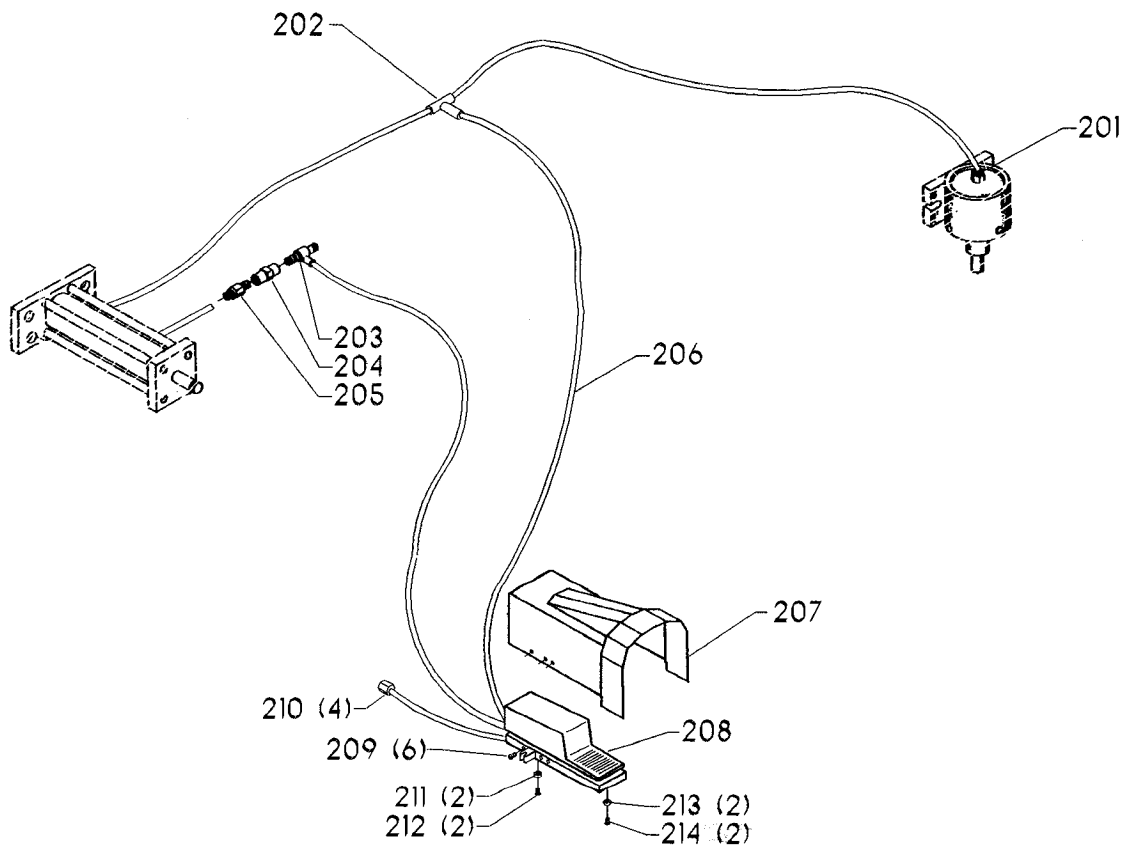
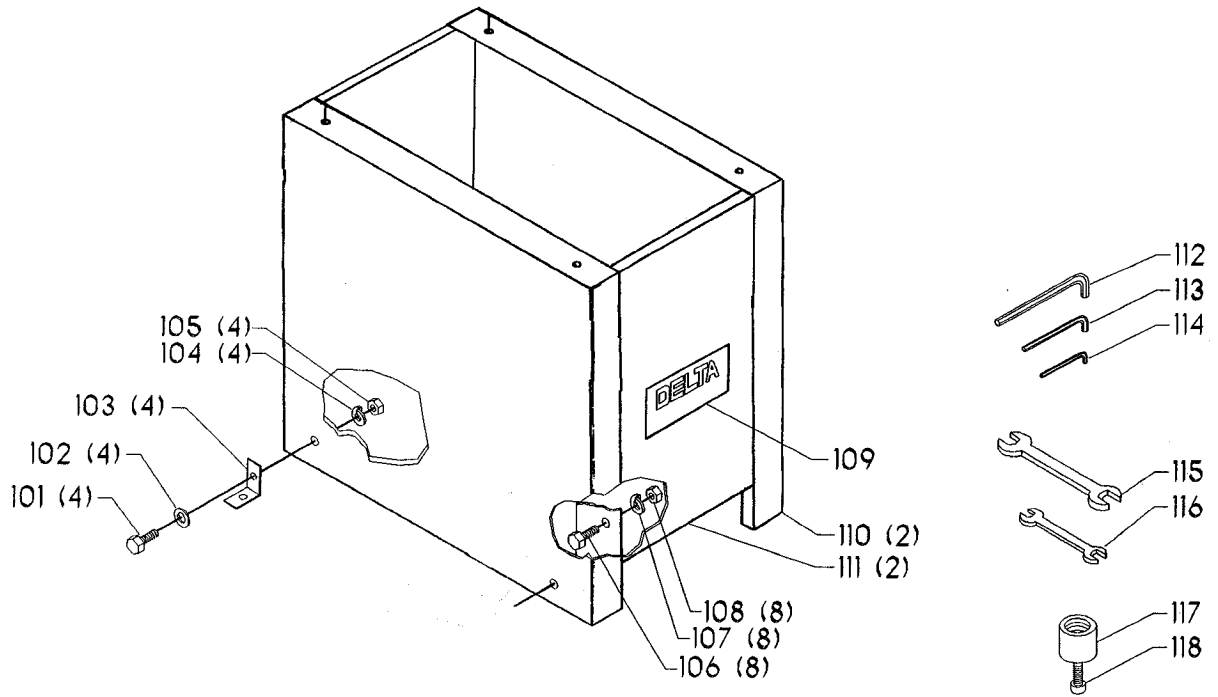


# REPLACEMENT PARTS

<u>REF. NO.</u>	<u>PART NUMBER</u>	<u>DESCRIPTION</u>	<u>REF. NO.</u>	<u>PART NUMBER</u>	<u>DESCRIPTION</u>
1	1246016	(DIN 933) M8 X 25MM HEX HD SCR	40	1349104	BUSHING
2	1246157	(DIN 7980) M8.1 LOCK WASHER	41	1349103	GUARD
3	1243526	(DIN 125) M8.4 FLAT WASHER	41A	1349109	WARNING LABEL
4	1349055	MOTOR (1 PHASE)	42	1246102	(DIN 125) M5.3 FLAT WASHER
4A	1349107	COUPLER	43	1246001	(DIN 84) M5 X 12MM CHEESE HD SCR
5	1349057	BUSHING	44	402-07-111-5002	STUD
6	1349058	GUIDE ROD	45	1340095	SWITCH, 1PH, MAN
7	1349059	HUB	46	402-07-104-5007	SPACER
8	1349060	BOOT	47	1340100	SWITCH COVER ASSY
9	1243549	(DIN 916) M6 X 12MM HEX SOC SET SCR	48	901-02-010-0567	#06-32 X 1/4" ROUND HD SCR
10	1313116	BALL BEARING	49	1349086	STOP
11	1349062	COUPLER	50	1349085	KNOB
12	1349063	HEAD, INCL:	51	1349087	ROD
12A	1349464	SPINDLE ASSY, INCL:	52	1246096	(DIN 912) M10 X 40MM HEX SOC HD SCR
12B	1349465	SMALL GEAR (19 TEETH)	53	1349052	WARNING LABEL
12C	1349466	SMALL SPECIAL NUT	54	902-01-040-1026	3/8-16 HEX NUT
13A	1349467	LARGE SPECIAL NUT	55	904-02-020-1704	3/8" LOCK WASHER
13B	1349468	LARGE GEAR (23 TEETH)	56	904-01-010-1606	3/8" FLAT WASHER
14A	1343913	KEY	57	1349082	SUPPORT
14B	1349469	SPINDLE	58	1349077	HOLD DOWN CYL
15	1349064	ADAPTOR	59	1349078	GUARD
15A	1243339	(DIN 916) M6 X 8MM HEX SOC SET SCR	59A	1348484	WARNING LABEL
16	1243360	(DIN 7980) M10.2 LOCK WASHER	60	1310162	(DIN 85) M5 X 12MM PAN HD SCR
16A	1330158	(DIN 933) M10 X 45MM HEX HD SCR	61	901-11-020-0850	3/8-16 X 2 3/4" CARRIAGE HD SCR
17	1349061	HUB	62	1243549	(DIN 916) M6 X 12MM HEX SOC SET SCR
18	1343915	(DIN 912) M5 X 35MM HEX SOC HD SCR	63	1349080	PAD
19	1349056	MOTOR PLATE	64	1349083	GUIDE
20	1330200	(DIN 916) M8 X 12MM HEX SOC SET SCR	65	1340490	(DIN 84) M4 X 8MM CHEESE HD SCR
21	1246079	(DIN 933) M8 X 40MM HEX HD SCR	66	1246015	(DIN 933) M6 X 20MM HEX HD SCR
22	1246157	(DIN 7980) M8.1 LOCK WASHER	67	1246140	(DIN 125) M6.4 FLAT WASHER
23	1243398	(DIN 934) M8 HEX NUT	68	1349088	GUIDE
24	1349065	CYLINDER	69	1349089	KNOB
25	1349073	SUPPORT	70	1243502	(DIN 125) M10 FLAT WASHER
26	1349074	HOUSING	71	1349090	STUD
27	1246016	(DIN 933) M8 X 25MM HEX HD SCR	72	1349091	BODY
28	1246157	(DIN 7980) M8.1 LOCK WASHER	72A	1349999	GUIDE BAR
29	1246016	(DIN 933) M8 X 25MM HEX HD SCR	73	1349092	TABLE
30	1243476	(DIN 934) M12 HEX NUT	74	1349093	KNOB W/STUD
30A	1349075	STOP	75	1246017	(DIN 933) M8 X 30MM HEX HD SCR
31	1246114	(DIN 934) M16 HEX NUT	76	1243398	(DIN 934) M8 HEX NUT
32	1349072	ADJ SCR	77	1246157	(DIN 7980) M8.1 LOCK WASHER
33	1349070	NUT	78	1246017	(DIN 933) M8 X 30MM HEX HD SCR
34	1349071	ADAPTOR	79	1246104	(DIN 912) M6 X 25MM HEX SOC HD SCR
35	1349070	NUT	80	1349095	TABLE SUPPORT
36	1330200	(DIN 916) M8 X 12MM HEX SOC SET SCR	81	1341011	(DIN 916) M8 X 10MM HEX SOC SET SCR
37	1349081	BASE	82	1349097	KNOB
38	1246016	(DIN 933) M8 X 25MM HEX HD SCR	83	1349096	SCR
39	1246157	(DIN 7980) M8.1 LOCK WASHER	84	1349094	SUPPORT NUT



## REPLACEMENT PARTS

<u>REF. NO.</u>	<u>PART NUMBER</u>	<u>DESCRIPTION</u>
101	1246016	(DIN 933) M8 X 25MM HEX HD SCR
102	1243526	(DIN 125) M8.4 FLAT WASHER
103	1349084	BRACKET
104	1246157	(DIN 7980) M8.1 LOCK WASHER
105	1243398	(DIN 934) M8 HEX NUT
106	1246016	(DIN 933) M8 X 25MM HEX HD SCR
107	1246157	(DIN 7980) M8.1 LOCK WASHER
108	1243398	(DIN 934) M8 HEX NUT
109	1349051	NAMEPLATE
110	1349098	SIDE PANEL
111	1349099	END PANEL
112	432-07-101-0004	5MM HEX WRENCH
113	422-29-101-0002	4MM HEX WRENCH
114	428-06-101-0002	3MM HEX WRENCH
115	1349105	WRENCH
116	1349106	WRENCH
117	1349108	REMOVAL TOOL
118	901-03-010-3371	5/16-18 X 1 3/4" HEX SOC HD SCR
201	1349076	CONNECTOR
202	1349066	T-FITTING
203	1349069	FLOW VALVE
204	1349068	COUPLER
205	1349067	REDUCER
206	1349102	AIR LINE (APPROX. 25 FT.)
207	1349100	FOOT GUARD
208	1349101	CONTROL
209	1246154	(DIN 84) M4 X 16MM CHEESE HD SCR
210	1349076	CONNECTOR
211	1349991	FOOT (SHORT)
212	1243501	(DIN 84) M4 X 10MM CHEESE HD SCR
213	1349990	FOOT (LONG)
214	1243501	(DIN 84) M4 X 10MM CHEESE HD SCR

### STANDARD SAFETY EQUIPMENT

In order to promote tool safety, Delta International Machinery Corp. strictly enforces the policy of repairing or replacing any damaged or missing standard safety equipment on machines presented to Delta Authorized Service Centers for service/repair. Any product which is presented to a Delta Authorized Service Center for repairs which contains missing or damaged standard safety equipment will have that equipment repaired or replaced and the customer will be charged for any such service/repairs. Customers can avoid such charges only if the missing safety component is supplied to the service center at the time of repair.

This parts list is provided to aid in obtaining service parts. Copies of the instruction and maintenance literature can be obtained through the Delta Technical Publications Department or through your local service outlet.