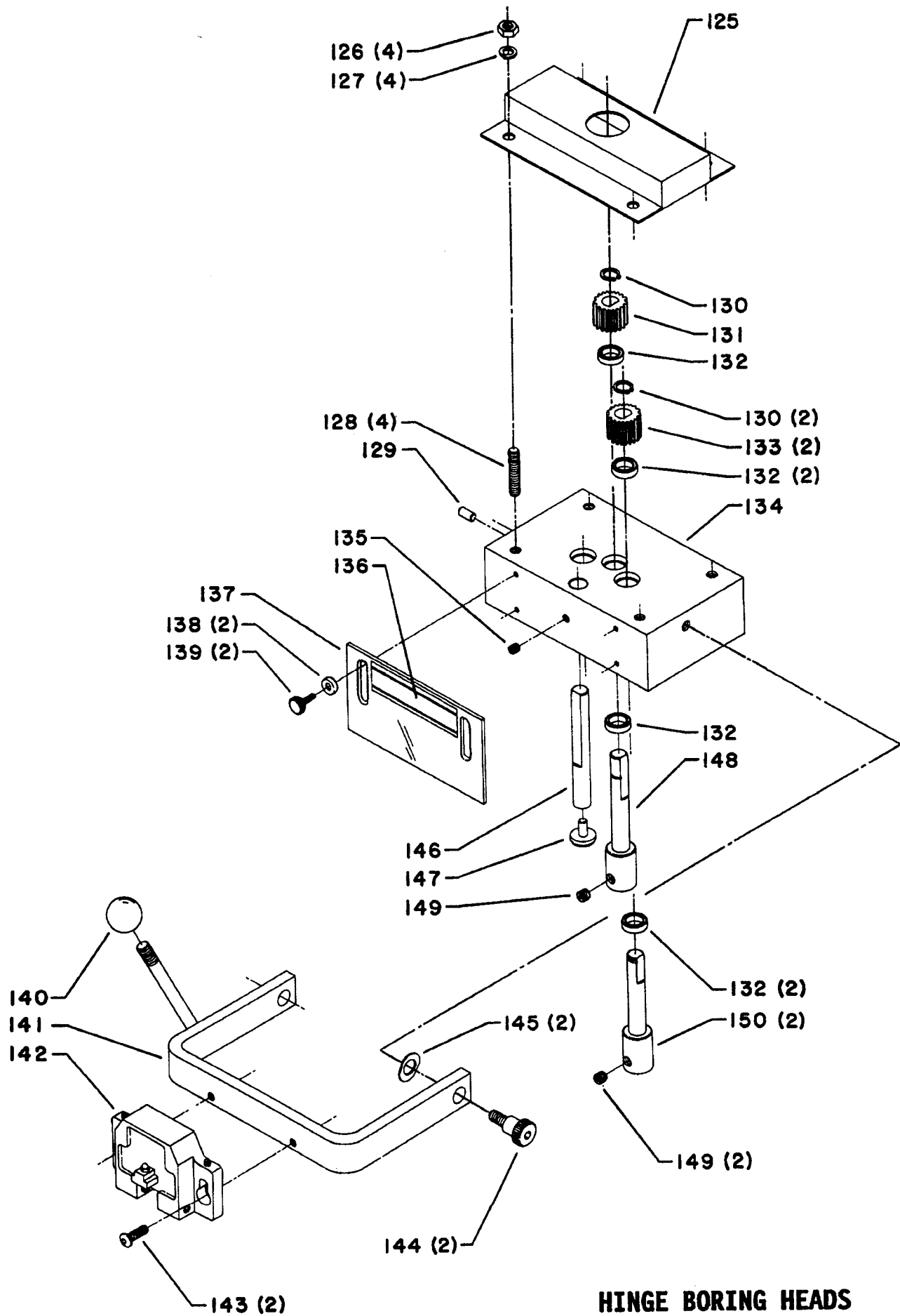


REPLACEMENT PARTS

| REF NO | PART NUMBER | DESCRIPTION | REF NO | PART NUMBER | DESCRIPTION |
|-----------|-----------------|----------------------------------|-----------|-----------------|------------------------------------|
| 1 | 62-099 | MOTOR | 49 | 901-01-060-3124 | 1/4-20 X 1 1/2" HEX HEAD SCREW |
| 2 | 49-330 | SWITCH | 50 | 904-02-020-1702 | 1/4" LOCK WASHER |
| 3 | 424-01-014-0002 | SWITCH BRACKET | 51 | 1344828 | WARNING LABEL |
| 4 | 49-513 | MOTOR CORD | 52 | 901-01-060-0672 | 1/2-20 X 1 1/4" HEX HEAD SCREW |
| 5 | 1344861 | MOTOR COUPLER | 53 | 1344817 | MOTOR SLIDE ASSEMBLY |
| 6 | 1344862 | INSERT | 54 | 1344897 | 1/4-20 X 1/2" HEX FLANGE BOLT |
| 7 | 1344863 | HEAD COUPLER | 55 | 1344896 | 3/8-16 HEX FLANGE NUT |
| 8 | 1344818 | MOTOR PLATE | 57 | 1344821 | BEARING BLOCK |
| 9 | 1344826 | #08-32 X 1/4" THUMB SCREW | 58 | 1344823 | SPRING |
| 10 | 1344827 | NAMEPLATE | 59 | 1344822 | SHAFT |
| 11 | 1344865 | FRONT COVER | 60 | 1344824 | COTTER PIN |
| 12 | 904-02-020-1704 | 3/8" LOCKWASHER | 61 | 1344813 | TOWER WEB |
| 13 | 901-01-060-3123 | 3/8-16 X 5/8" HEX HEAD SCREW | 62 | 904-02-020-1702 | 1/4" LOCKWASHER |
| 14 | 901-01-060-3104 | 3/8-16 X 1/2" HEX HEAD SCREW | 63 | 1344897 | 1/4-20 X 1/2" HEX FLANGE BOLT |
| 15 | 904-02-020-1704 | 3/8" LOCKWASHER | 64 | 902-01-212-2409 | 1/4-20 HEX LOCK NUT |
| 16 | 1344847 | COVER | 65 | 1344820 | BACKING PLATE |
| 17 | 904-15-011-7117 | SNAP RING | 66 | 901-05-213-1498 | #10 X 1/2" HEX HEAD SCREW |
| 18 | 1344858 | GEAR | 67 | 1344812 | TOWER COVER |
| 19 | 1344857 | BEARING | 69 | 1344814 | LEVER ADAPTER |
| 19A | 904-15-102-1591 | INTERNAL RETAINING RING | 70 | 901-01-060-3124 | 1/4-20 X 1 1/2" HEX HEAD SCREW |
| 20 | 1344852 | STUD | 71 | 904-02-020-1725 | 3/16" LOCKWASHER |
| 21 | 1344846 | HEAD W/SLEEVES | 72 | 1344816 | SPACER |
| 22 | 901-04-150-0205 | 5/16-18 X 1/4" HEX SOC SET SCREW | 77 | 438-01-004-0041 | CORD CLAMP |
| 23 | 1344864 | SPACER | 78 | 1344811 | TOWER HOUSING |
| 24 | 1344826 | #08-32 X 1/4" THUMB SCREW | 79 | 1344897 | 1/4-20 X 1/2" HEX FLANGE BOLT |
| 25 | 1344866 | CUTTERHEAD WARNING LABEL | 79A | 1345715 | 1/4-20 FLANGE NUT |
| 26 | 1344825 | FRONT COVER | 80 | 1344834 | BASE TUBE |
| 27 | 1344857 | BEARING | 81 | 1344841 | PLUG |
| 28 | 1344856 | DRIVEN SPINDLE | 82 | 1344835 | PLASTIC FOOT |
| 29 | 1344853 | STOP PIN | 83 | 1344869 | #08 X 3/4" PAN HEAD SCREW |
| 30 | 1344854 | BUMPER | 84 | 1344833 | SUB BASE |
| 31 | 1344857 | BEARING | 85 | 904-02-010-1703 | 5/16" LOCKWASHER |
| 32 | 1344855 | DRIVE SPINDLE | 86 | 902-01-040-1030 | 5/16-18 HEX JAM NUT |
| 33 | 901-04-150-0254 | 5/16-24 X 3/8" HEX SOC SET SCREW | 86A | 902-01-503-1514 | 5/16-18 FLANGE HEX NUT |
| 34 | 1344851 | KNOB | 87 | 901-05-213-1498 | #10 X 1/2" HEX HEAD SCREW |
| 35 | 1344850 | SPRING | 88 | 1344895 | T-BOLT |
| 36 | 1344849 | PIN | 89 | 904-01-031-2926 | FLAT WASHER |
| 37 | 904-15-062-0137 | RETAINING RING | 90 | 1344839 | FENCE GLIDE & SCALE SET-RIGHT SIDE |
| 39 | 1345715 | 1/4-20 FLANGE NUT | 91 | 1344836 | FENCE GLIDE & SCALE SET-LEFT SIDE |
| 40 | 1344832 | GRIP | 92 | 1344843 | KNOB |
| 41 | 1344829 | LEVER | 93 | 904-01-010-1604 | 5/16" FLAT WASHER |
| 42 | 1344815 | SPACER | 94 | 1344842 | FENCE BRACKET |
| 43 | 1344830 | LOCK HANDLE | 95 | 1344838 | STOP ASSEMBLY |
| 44 | 904-02-020-1702 | 1/4" LOCK WASHER | 97 | 1344837 | FENCE STOP BAR |
| 45 | 901-09-070-6120 | 1/4-28 X 3/8" HEX HEAD SCREW | 98 | 1344845 | TABLE |
| 46 | 1344897 | 1/4-20 X 1/2" HEX FLANGE BOLT | 99 | 1344844 | TABLE BRACKET |
| | | | 100 | 1344869 | #08 X 3/4" PAN HEAD SCREW |



**HINGE BORING HEADS
(AVAILABLE AS AN ACCESSORY)**

REPLACEMENT PARTS

HINGE BORING HEADS (AVAILABLE AS ACCESSORIES)

| REF NO | PART NUMBER | DESCRIPTION | REF NO | PART NUMBER | DESCRIPTION |
|--------|-----------------|--|--------|-----------------|--|
| * | 32-221 | 35mm HINGE BORING HEAD (For Blum Liberty, Hafele & Astro Cup), Incl: | 139 | 1344826 | #08-32 X 1/4" THUMB SCREW |
| 125 | 1344868 | COVER | 140 | 1344851 | KNOB |
| 126 | 902-01-040-1026 | 3/8-16 HEX JAM NUT | 141 | 1344870 | BRACKET |
| 127 | 904-02-020-1704 | 3/8" LOCKWASHER | 142 | 1344888 | HINGE HOLDER |
| 128 | 1344852 | STUD | 143 | 1344891 | 1/4-20 X 3/4" BUTTON HD SCREW |
| 129 | 1344889 | DOWEL PIN | 144 | 1344880 | SHOULDER BOLT |
| 130 | 904-15-011-7117 | EXT RETAINING RING | 145 | 1344879 | WAVY WASHER |
| 131 | 1344871 | DRIVE GEAR | 146 | 1344853 | STOP PIN |
| 132 | 1344892 | BEARING | 147 | 1344854 | BUMPER |
| 133 | 1344893 | GEAR | 148 | 1344855 | DRIVE SPINDLE |
| 134 | 1344881 | HEAD | 149 | 901-04-150-0254 | 5/16-24 X 3/8" HEX SOC SET SCREW |
| 135 | 901-04-150-0205 | 5/16-18 X 1/4" HEX SOC SET SCREW | 150 | 1344856 | DRIVEN SPINDLE |
| 136 | 1344890 | WARNING LABEL | * | 32-226 | HINGE BORING HEAD (For Hafele, Topmatic), Incl: |
| 137 | 1344878 | GUARD | 125 | 1344868 | COVER |
| 138 | 1344864 | SPACER | 126 | 902-01-040-1026 | 3/8-16 HEX JAM NUT |
| 139 | 1344826 | #08-32 X 1/4" THUMB SCREW | 127 | 904-02-020-1704 | 3/8" LOCKWASHER |
| 140 | 1344851 | KNOB | 128 | 1344852 | STUD |
| 141 | 1344870 | BRACKET | 129 | 1344889 | DOWEL PIN |
| 142 | 1344888 | HINGE HOLDER | 130 | 904-15-011-7117 | EXT RETAINING RING |
| 143 | 1344891 | 1/4-20 X 3/4" BUTTON HD SCREW | 131 | 1344876 | DRIVE GEAR |
| 144 | 1344880 | SHOULDER BOLT | 132 | 1344892 | BEARING |
| 145 | 1344879 | WAVY WASHER | 133 | 1344893 | GEAR |
| 146 | 1344853 | STOP PIN | 134 | 1344886 | HEAD |
| 147 | 1344854 | BUMPER | 135 | 901-04-150-0205 | 5/16-18 X 1/4" HEX SOC SET SCREW |
| 148 | 1344855 | DRIVE SPINDLE | 136 | 1344890 | WARNING LABEL |
| 149 | 901-04-150-0254 | 5/16-24 X 3/8" HEX SOC SET SCREW | 137 | 1344878 | GUARD |
| 150 | 1344856 | DRIVEN SPINDLE | 138 | 1344864 | SPACER |
| * | 32-222 | HINGE BORING HEAD (For Grass), Incl: | 139 | 1344826 | #08-32 X 1/4" THUMB SCREW |
| 125 | 1344868 | COVER | 140 | 1344851 | KNOB |
| 126 | 902-01-040-1026 | 3/8-16 HEX JAM NUT | 141 | 1344870 | BRACKET |
| 127 | 904-02-020-1704 | 3/8" LOCKWASHER | 142 | 1344888 | HINGE HOLDER |
| 128 | 1344852 | STUD | 143 | 1344891 | 1/4-20 X 3/4" BUTTON HD SCREW |
| 129 | 1344889 | DOWEL PIN | 144 | 1344880 | SHOULDER BOLT |
| 130 | 904-15-011-7117 | EXT RETAINING RING | 145 | 1344879 | WAVY WASHER |
| 131 | 1344872 | DRIVE GEAR | 146 | 1344853 | STOP PIN |
| 132 | 1344892 | BEARING | 147 | 1344854 | BUMPER |
| 133 | 1344893 | GEAR | 148 | 1344855 | DRIVE SPINDLE |
| 134 | 1344882 | HEAD | 149 | 901-04-150-0254 | 5/16-24 X 3/8" HEX SOC SET SCREW |
| 135 | 901-04-150-0205 | 5/16-18 X 1/4" HEX SOC SET SCREW | 150 | 1344856 | DRIVEN SPINDLE |
| 136 | 1344890 | WARNING LABEL | * | 32-227 | HINGE BORING HEAD (For Hafele Perfect, Hettich, & RTA Fittings), Incl: |
| 137 | 1344878 | GUARD | 125 | 1344868 | COVER |
| 138 | 1344864 | SPACER | 126 | 902-01-040-1026 | 3/8-16 HEX JAM NUT |
| 139 | 1344826 | #08-32 X 1/4" THUMB SCREW | 127 | 904-02-020-1704 | 3/8" LOCKWASHER |
| 140 | 1344851 | KNOB | 128 | 1344852 | STUD |
| 141 | 1344870 | BRACKET | 129 | 1344889 | DOWEL PIN |
| 142 | 1344888 | HINGE HOLDER | 130 | 904-15-011-7117 | EXT RETAINING RING |
| 143 | 1344891 | 1/4-20 X 3/4" BUTTON HD SCREW | 131 | 1344877 | DRIVE GEAR |
| 144 | 1344880 | SHOULDER BOLT | 132 | 1344892 | BEARING |
| 145 | 1344879 | WAVY WASHER | 133 | 1344893 | GEAR |
| 146 | 1344853 | STOP PIN | 134 | 1344887 | HEAD |
| 147 | 1344854 | BUMPER | 135 | 901-04-150-0205 | 5/16-18 X 1/4" HEX SOC SET SCREW |
| 148 | 1344855 | DRIVE SPINDLE | 136 | 1344890 | WARNING LABEL |
| 149 | 901-04-150-0254 | 5/16-24 X 3/8" HEX SOC SET SCREW | 137 | 1344878 | GUARD |
| 150 | 1344856 | DRIVEN SPINDLE | 138 | 1344864 | SPACER |
| * | 32-225 | 35mm BORING HEAD (For Mepla), Incl: | 139 | 1344826 | #08-32 X 1/4" THUMB SCREW |
| 125 | 1344868 | COVER | 140 | 1344851 | KNOB |
| 127 | 904-02-020-1704 | 3/8" LOCKWASHER | 141 | 1344870 | BRACKET |
| 126 | 902-01-040-1026 | 3/8-16 HEX JAM NUT | 142 | 1344888 | HINGE HOLDER |
| 128 | 1455852 | STUD | 143 | 1344891 | 1/4-20 X 3/4" BUTTON HD SCREW |
| 129 | 1344889 | DOWEL PIN | 144 | 1344880 | SHOULDER BOLT |
| 130 | 904-15-011-7117 | EXT RETAINING RING | 145 | 1344879 | WAVY WASHER |
| 131 | 1344872 | DRIVE GEAR | 146 | 1344853 | STOP PIN |
| 132 | 1344892 | BEARING | 147 | 1344854 | BUMPER |
| 133 | 1344893 | GEAR | 148 | 1344855 | DRIVE SPINDLE |
| 134 | 1344882 | HEAD | 149 | 901-04-150-0254 | 5/16-24 X 3/8" HEX SOC SET SCREW |
| 135 | 901-04-150-0205 | 5/16-18 X 1/4" HEX SOC SET SCREW | 150 | 1344856 | DRIVEN SPINDLE |
| 136 | 1344890 | WARNING LABEL | | | |
| 137 | 1344878 | GUARD | | | |
| 138 | 1344864 | SPACER | | | |

* NOT SHOWN ASSEMBLED

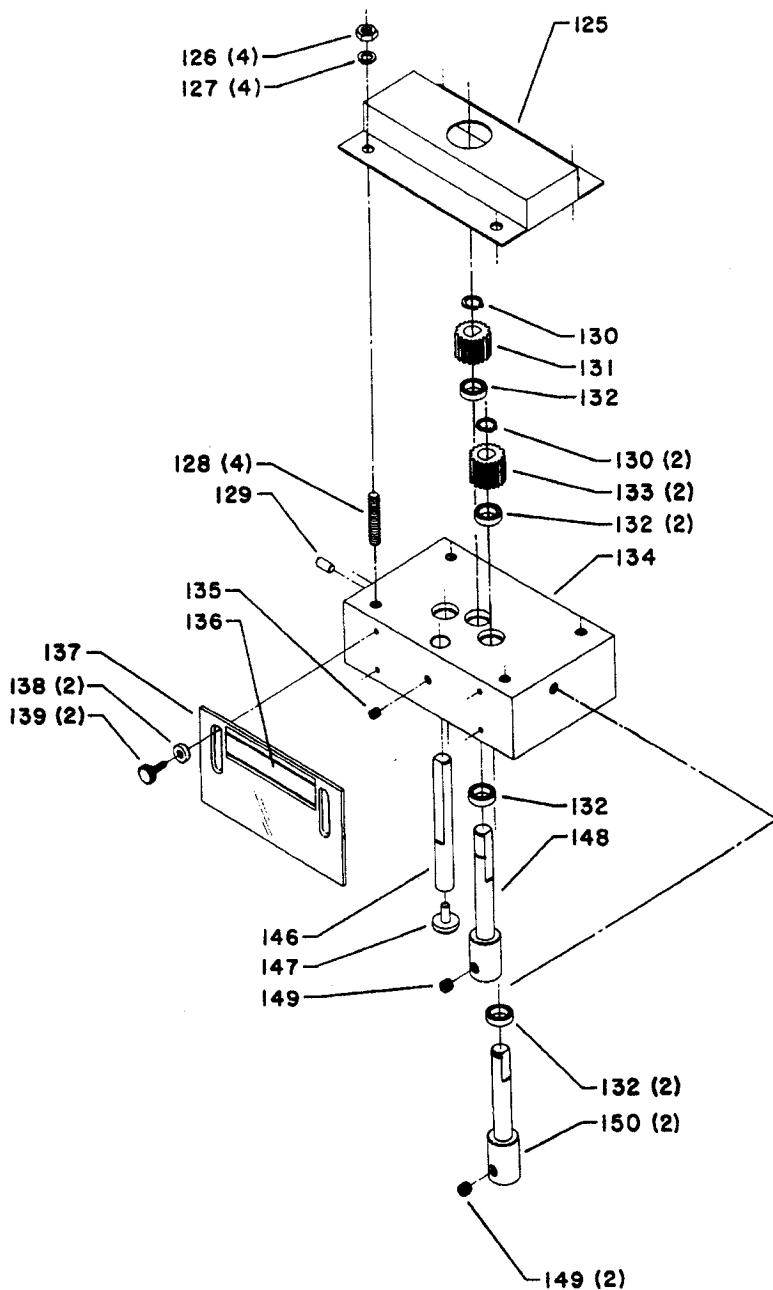
STANDARD SAFETY EQUIPMENT

In order to promote tool safety, Delta International Machinery Corp. strictly enforces the policy of repairing or replacing any damaged or missing standard safety equipment on machines presented to Delta Authorized Service Center for service/repairs. Any product which is presented to a Delta Authorized Service Center for repairs which contains missing or damaged standard safety equipment will have that equipment repaired or replaced and the customer will be charged for any such service/repairs. Customers can avoid such charges only if the missing safety component is supplied to the service center at the time of repair.

This parts list is provided to aid in obtaining service parts. Copies of the instruction and maintenance literature can be obtained through the Delta Technical Publications Department or through your local service outlet.

REPLACEMENT PARTS

HINGE BORING HEADS (AVAILABLE AS ACCESSORIES)



| REF NO | PART NUMBER | DESCRIPTION |
|--------|-----------------|---|
| * | 32-223 | HINGE BORING HEAD (<i>For Liberty</i>), Incl: COVER |
| 125 | 1344868 | COVER |
| 126 | 902-01-040-1026 | 3/8-16 HEX JAM NUT |
| 127 | 904-02-020-1704 | 3/8" LOCKWASHER |
| 128 | 1344852 | STUD |
| 129 | 1344889 | DOWEL PIN |
| 130 | 904-15-011-7117 | EXT RETAINING RING |
| 131 | 1344873 | DRIVE GEAR |
| 132 | 1344892 | BEARING |
| 133 | 1344893 | GEAR |
| 134 | 1344883 | HEAD |
| 135 | 901-04-150-0205 | 5/16-18 X 1/4" HEX SOC SET SCREW |
| 136 | 1344890 | WARNING LABEL |
| 137 | 1344878 | GUARD |
| 138 | 1344864 | SPACER |
| 139 | 1344826 | #08-32 X 1/4" THUMB SCREW |
| 146 | 1344853 | STOP PIN |
| 147 | 1344854 | BUMPER |
| 148 | 1344855 | DRIVE SPINDLE |
| 149 | 901-04-150-0254 | 5/16-24 X 3/8" HEX SOC SET SCREW |
| 150 | 1344856 | DRIVEN SPINDLE |
| * | 32-224 | HINGE BORING HEAD (<i>For Mepla</i>), Incl: COVER |
| 125 | 1344868 | COVER |
| 126 | 902-01-040-1026 | 3/8-16 HEX JAM NUT |
| 127 | 904-02-020-1704 | 3/8" LOCKWASHER |
| 128 | 1344852 | STUD |
| 129 | 1344889 | DOWEL PIN |
| 130 | 904-15-011-7117 | EXT RETAINING RING |
| 131 | 1344874 | DRIVE GEAR |
| 132 | 1344892 | BEARING |
| 133 | 1344893 | GEAR |
| 134 | 1344884 | HEAD |
| 135 | 901-04-150-0205 | 5/16-18 X 1/4" HEX SOC SET SCREW |
| 136 | 1344890 | WARNING LABEL |
| 137 | 1344878 | GUARD |
| 138 | 1344864 | SPACER |
| 139 | 1344826 | #08-32 X 1/4" THUMB SCREW |
| 146 | 1344853 | STOP PIN |
| 147 | 1344854 | BUMPER |
| 148 | 1344855 | DRIVE SPINDLE |
| 149 | 901-04-150-0254 | 5/16-24 X 3/8" HEX SOC SET SCREW |
| 150 | 1344856 | DRIVEN SPINDLE |