

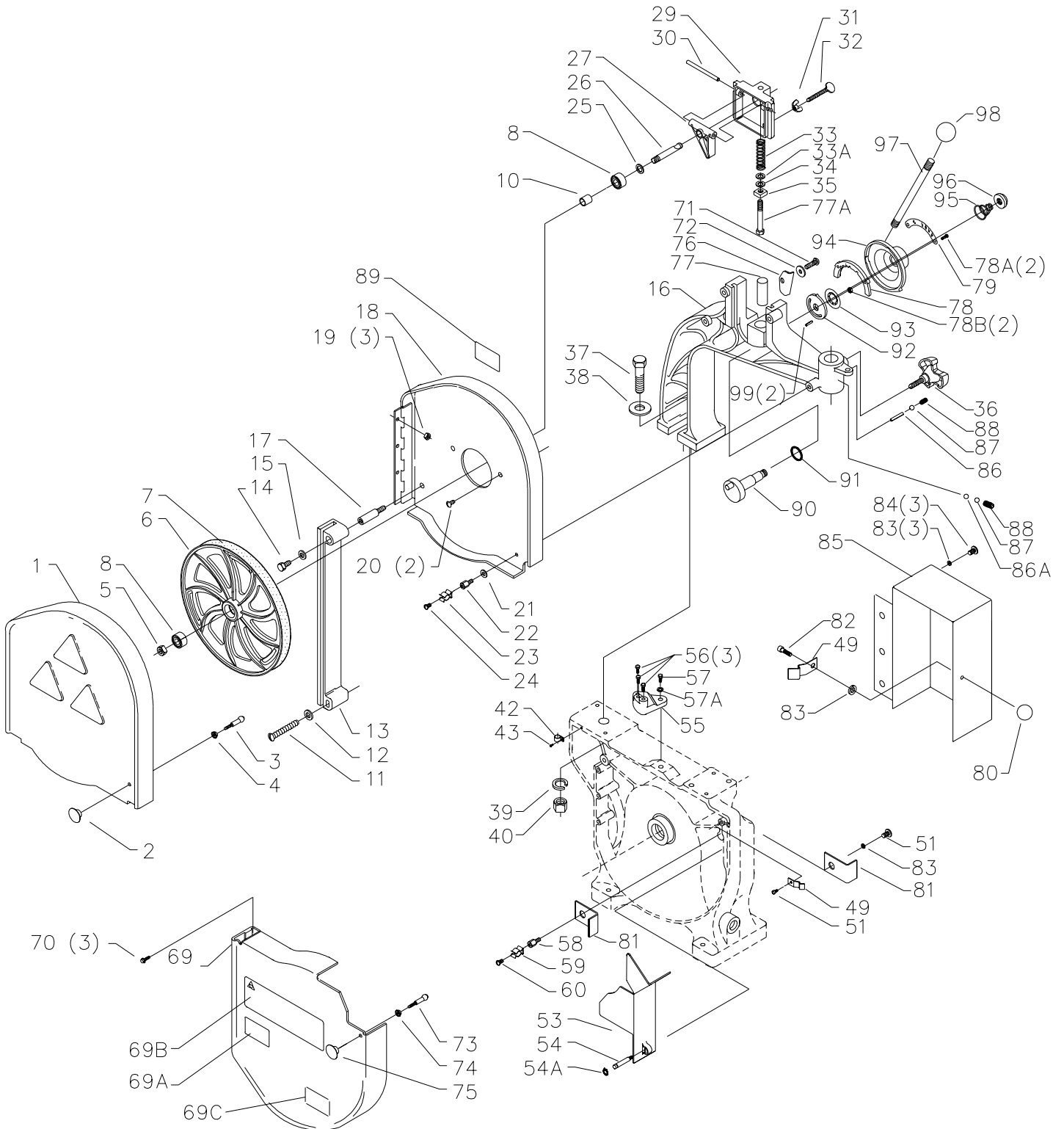


28-348, 28-348F, & 28-348G  
14" WOOD/METAL CUTTING  
BAND SAW

BS-2H-2

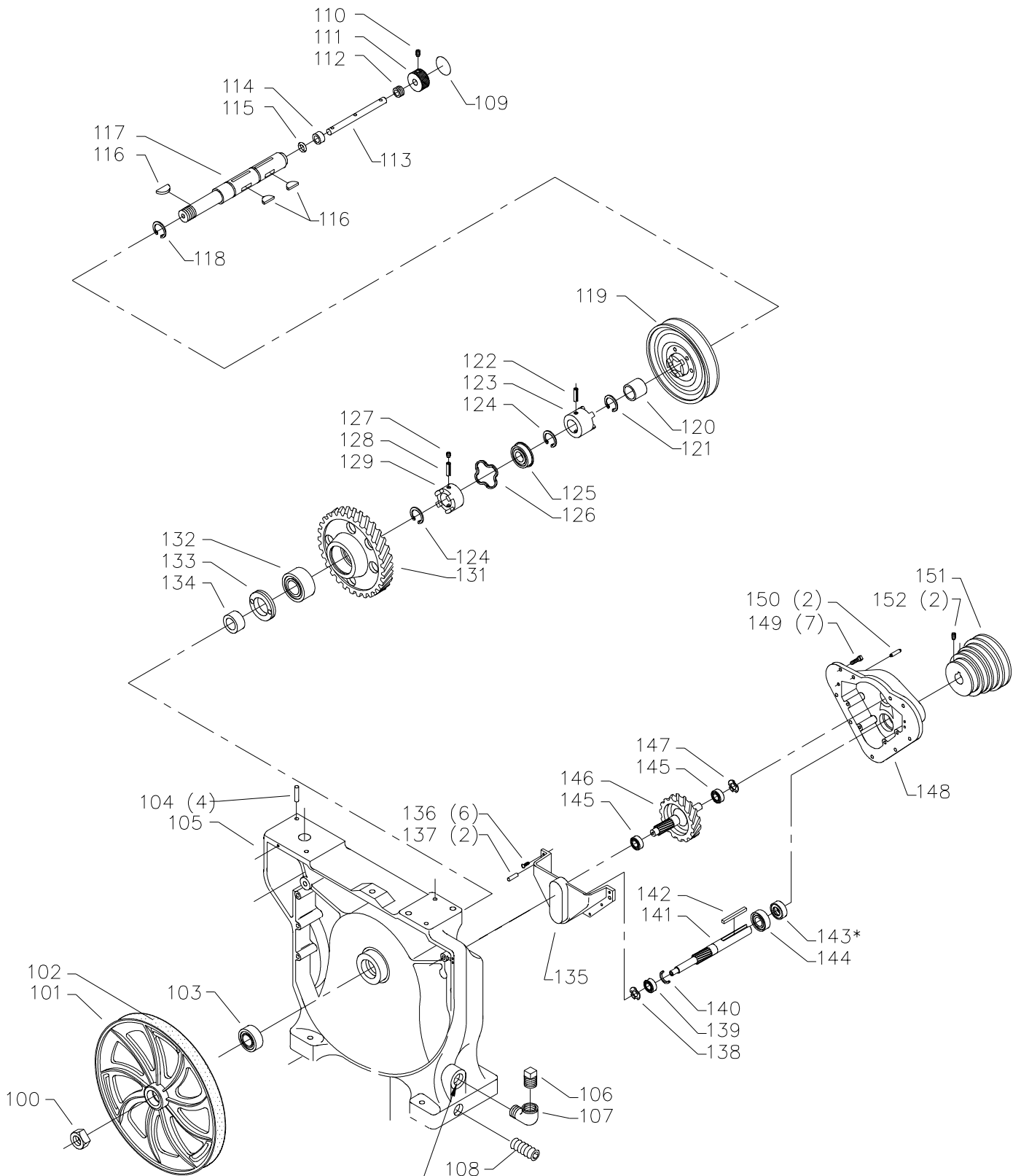
PART NO. 426-03-651-0015

Date: 12-08-03



# REPLACEMENT PARTS

<u>Ref.</u>	<u>Part No.</u>	<u>Description</u>	<u>Ref.</u>	<u>Part No.</u>	<u>Description</u>
1	426-02-354-0049	UPPER GUARD-FRONT	58	426-02-111-0012	HEX STUD
2	426-02-060-0001	KNOB	59	426-02-122-0003	DOOR CATCH
3	426-02-071-0002	DOOR LOCK STUD	60	901-02-051-2860	#08-32 X 1/4" FILL HD SCREW
4	902-01-293-1513	#10-32 KEPS NUT	69	426-02-354-0055	LOWER GUARD ASSY , INCL:
5	902-01-020-1227	1/2-20 JAM NUT	69A	426-02-754-0012	WARNING LABEL
6	426-03-400-0008	UPPER WHEEL ASSY, INCL:	69B	426-02-754-0011	NAME PLATE
7	426-02-094-0003	TIRE	69C	422-04-752-0185	LABEL
8	920-04-010-7273	BALL BEARING	70	901-06-143-1786	1/4-20 X 1/2" HEX WASHER HD SCREW
10	426-02-104-0006	SPACER	71	901-02-123-1912	1/4 X20 X 5/8 SCREW
11	901-02-012-1910	3/8-16 X 2 1/4" ROUND HD SCREW	72	406-13-104-0002	SPACER
12	904-01-010-1615	FLAT WASHER	73	426-02-071-0002	DOOR LOCK STUD
13	426-02-054-0017	BLADE GUARD	74	902-01-293-1513	#10-32 KEPS NUT
14	901-02-763-1527	5/16-18 X 1/2" HEX HD SCREW	75	426-02-060-0001	KNOB
15	904-01-010-1615	FLAT WASHER	76	426-02-088-0003	STOP
16	426-02-089-0010	UPPER FRAME	77	426-02-078-0001	PLUNGER
17	426-02-111-0006	STUD	77A	432-09-112-0004	3/8-16 X 2 HEX SCREW
18	426-02-354-0048	REAR GUARD	78	426-02-051-0001	GEAR RING
19	902-01-133-1529	1/4-20 FLANGE NUT	78A	901-03-043-1917	10-32 X 5/8 SCREW
20	901-02-763-1527	5/16-18 X 1/2" HEX HD SCREW	78B	902-01-293-1513	10-32 HEX NUT
21	904-01-010-1620	FLAT WASHER	79	426-02-132-0002	SCALE
22	426-02-111-0012	HEX STUD	80	931-01-013-1898	KNOB
23	426-02-122-0003	DOOR CATCH	81	436-01-014-0003	LATCH
24	901-02-051-2860	#08-32 X 1/4" FILL HD SCREW	82	901-03-010-0229	1/4-20 X 1/2 SOC HD SCREW
25	904-01-032-2477	FLAT WASHER	83	904-01-013-1885	1/4" FLAT WASHER
26	426-02-106-0004	UPPER WHEEL SHAFT	84	901-03-040-8015	1/4-20 X 1/2" HEX HD SCREW
27	426-02-059-0001	HINGE	85	426-02-354-0056	PULLEY GUARD
29	426-02-014-0003	SLIDING BRACKET	86	426-02-071-0003	PIN, EMO
30	905-04-141-3146	PIN	86A	921-01-110-0001	STEEL BALL, CMO
31	902-04-010-1403	5/16-18 WING NUT	87	426-02-074-0001	RUBBER BALL
32	901-04-261-4010	5/16-18 X 2" THUMB SCREW	88	901-04-190-0225	5/16-18 X 1/4 HEX SOC. SET SCREW
33	928-01-603-1902	HD COIL SPRING	89	426-02-752-0080	LABEL
33A	904-01-033-1451	WASHER	90	426-02-106-0013	CAM SHAFT
34	904-07-010-5572	FIBER WASHER	91	908-25-013-1915	O-RING
35	902-02-050-1317	3/8-16 SQUARE NUT	92	426-02-019-0001	CAM ACCUATOR
36	426-02-327-0004	GUIDE LOCK KNOB	93	902-03-023-1914	3/4 PUSH NUT
37	901-01-060-9062	3/4-10 X 2 3/4" HEX HD SCREW	94	426-02-031-0004	COVER
38	904-01-010-1611	13/16" FLAT WASHER	95	928-01-803-1911	SPRING
39	904-02-020-1707	LOCK WASHER	96	426-02-079-0002	CYLINDRICAL NUT
40	902-01-100-1027	3/4-10 HEX NUT	97	426-02-067-0001	HANDLE
42	438-01-004-0082	CABLE CLAMP	98	424-02-138-0005	KNOB
43	901-03-010-3318	#10-32 X 3/8" HEX SOC HD SCREW	99	905-01-010-6715	3/16 X 5/8 ROLL PIN
49	426-02-122-0004	SPRING CLIP			
51	901-03-010-0763	1/4-20 X 3/8" HEX SOC HD SCREW			EMO=EARLY MODELS ONLY
53	426-02-036-0001	DUST DEFLECTOR			CMO=CURRENT MODELS ONLY
54	426-02-111-0011	PIVOT STUD	*		NOT SHOWN ASSEMBLED
54A	904-15-062-0283	E-RING			
55	426-02-088-0002	TABLE TILT STOP			
56	901-01-063-1656	1/4-20 x 3/4 HEX SCREW			
57	901-01-063-1909	1/4-20 x 1/2 HEX SCREW			
57A	928-06-013-1910	WAVE WASHER			



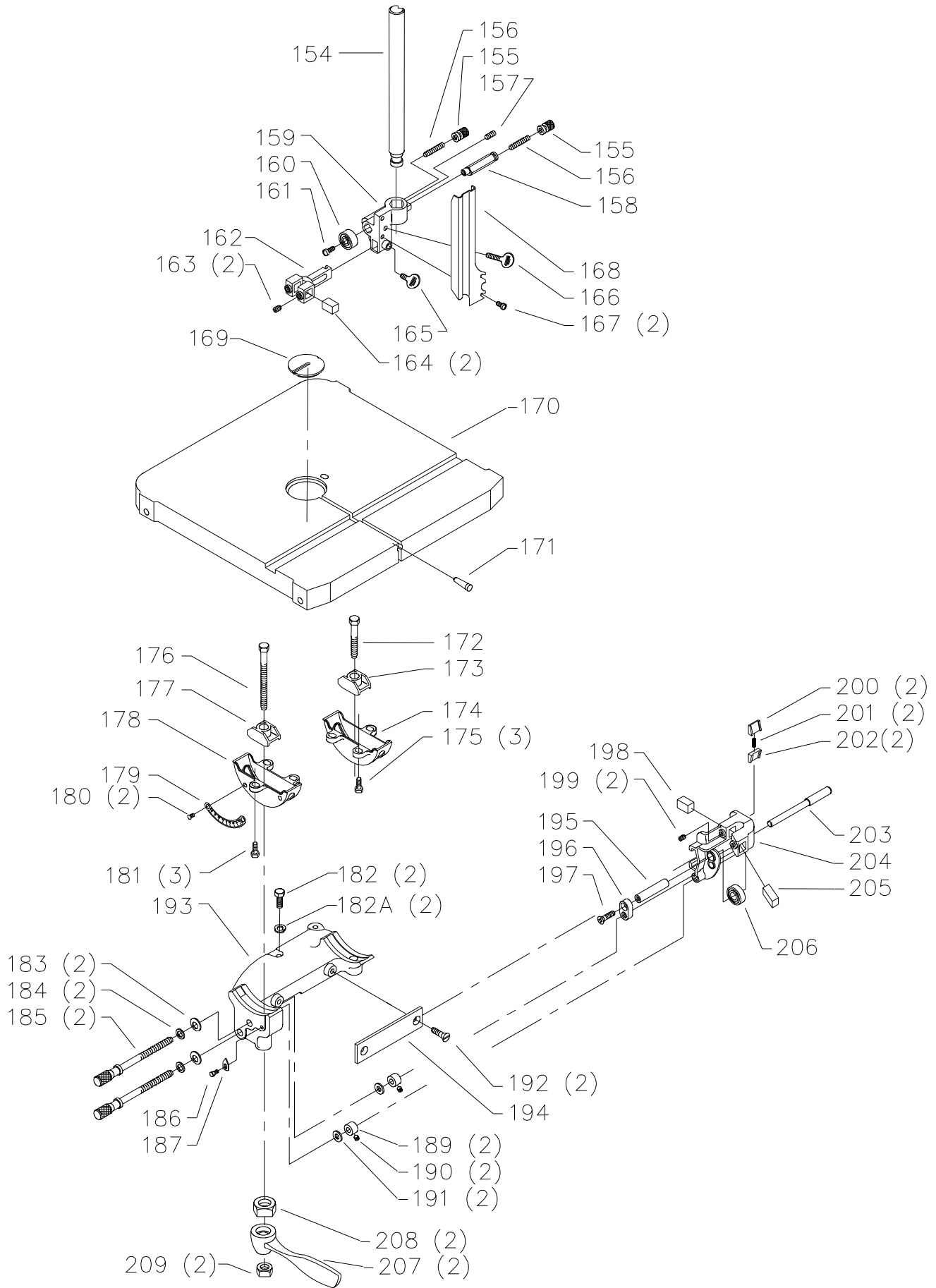
1 PINT OIL  
999-01-013-1210  
3 PINTS TO FILL

\* WHEN INSTALLING SEAL (REF NO 143),  
CELLOPHANE TAPE SHOULD BE WRAPPED  
AROUND THE SHARP EDGES OF THE KEY WAY  
SLOT ON THE SHAFT TO AVOID INSTALLATION  
DAMAGE TO THE SEAL.

# REPLACEMENT PARTS

<u>Ref.</u>	<u>No.</u>	<u>Part No.</u>	<u>Description</u>
	*	426-03-305-0014	BASE ASSY, COMPLETE, CONST OF:
100		902-01-201-2560	1.00-20 HEX NUT
101		426-03-400-0006	LOWER WHEEL, INCL:
102		426-02-094-0003	TIRE
103		920-08-020-5398	BALL BEARING
104		905-04-071-4460	1/4" X 3/4" DOWEL PIN
105		426-03-305-0017	BASE ASSY, INCL:
106		906-00-000-2437	1/2" PIPE PLUG
107		906-00-000-3545	90 DEG ELBOW
108		906-00-000-2438	1/8" PIPE PLUG
109		426-03-754-0002	WARNING LABEL
110		901-04-170-0261	5/16-18 X 5/16" HEX SOC SET SCREW
111		904-10-211-3871	KNOB
112		426-03-017-0001	BUSHING
113		426-03-108-0002	SHIFT ROD
114		426-03-017-0003	FELT BUSHING
115		908-00-000-3695	O-RING
116		927-01-100-2640	HI-PRO KEY
117		426-03-106-0013	SHAFT
118		904-15-010-7420	EXT RET RING
119		926-01-991-5608	DRIVE PULLEY, INCL:
120		920-75-011-3914	BUSHING
121		904-15-010-7420	EXT RET RING
122		905-01-010-2732	5/32" X 1" SPRING PIN
123		426-03-028-0006	CLUTCH
124		904-15-010-7420	EXT RET RING
125		920-04-023-1203	BALL BEARING
126		928-06-021-3393	WAVE WASHER
127		901-04-150-9417	#10-32 X 3/16" HEX SOC SET SCREW
128		905-01-010-2732	5/32" X 1" SPRING PIN
129		426-03-028-0005	CLUTCH
	*	426-03-351-0009	GEAR ASSY, CONST OF:
131		426-03-051-0006	BULL GEAR
132		920-07-080-5397	BALL BEARING
133		426-03-079-0002	RETAINER
134		904-10-141-3882	SPACER
135		426-03-031-0004	COVER
136		901-02-010-0559	#10-32 X 1/2" ROUND HD SCREW
137		905-01-010-5075	1/4" X 3/4" SPRING PIN
138		928-07-010-7354	LOAD SPRING
139		920-04-020-5375	BALL BEARING
140		904-15-220-7047	RING
141		426-03-406-0011	SHAFT
142		927-03-010-2651	KEY
143		908-00-000-5253	SEAL
144		920-04-020-5374	BALL BEARING
145		920-04-020-5375	BALL BEARING
146		426-03-351-0010	GEAR ASSY
147		928-07-010-7354	LOAD SPRING
148		426-03-013-0002	GEAR HOUSING, SEE NOTE A
149		901-01-060-0626	1/4-20 X 3/4" HEX HD SCREW
150		905-04-071-4460	1/4" X 3/4" SPRING PIN
151		41-724	PULLEY, INCL:
152		901-04-190-0201	5/16-18 X 5/16" HEX SOC SET SCREW
	*		NOT SHOWN ASSEMBLED

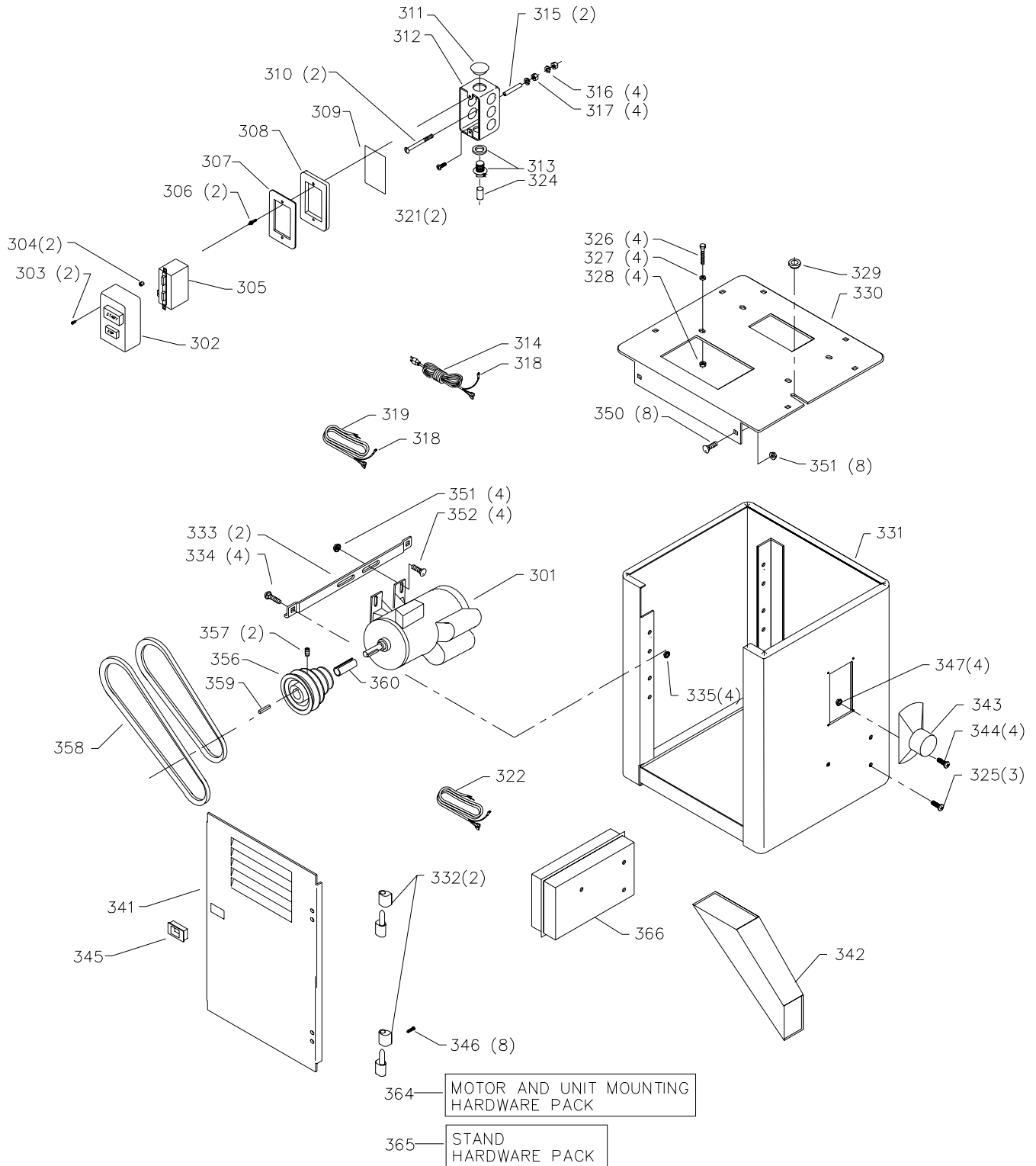
**NOTE A:** CLEAN ALL SEALANT MATERIAL FROM MACHINED SURFACE AND APPLY A NEW COST OF AUTOMOTIVE TYPE SILICONE RUBBER SEALANT (RTV) WHEN REASSEMBLING.



# REPLACEMENT PARTS

<u>Ref.</u>	<u>No.</u>	<u>Part No.</u>	<u>Description</u>
	154	426-02-055-0001	GUIDE POST
	*	426-02-355-0002	UPPER BLADE GUIDE, CONST OF:
	155	902-08-041-3064	5/16-24 SERRATED NUT
	156	901-04-150-0297	5/16-24 X 1 3/4" HEX SOC SET SCREW
	157	901-04-190-0207	5/16-18 X 1/2" HEX SOC SET SCREW
	158	426-02-106-0009	HEXAGON SHAFT
	159	426-02-089-0002	BRACKET
	160	920-08-020-1457	BALL BEARING
	161	901-03-040-8015	1/4-20 X 1/2" BUTTON HD SCREW
	*	426-02-355-0003	BRACKET ASSY, CONST OF:
	162	426-02-014-0004	BRACKET
	163	901-04-190-0225	5/16-18 X 1/4" HEX SOC SET SCREW
	164	952-02-011-3254	GUIDE BLOCK
	165	901-04-260-1520	5/16-18 X 1/2" THUMB SCREW
	166	901-04-260-1528	5/16-18 X 1" THUMB SCREW
	167	901-03-040-8015	1/4-20 X 1/2" BUTTON HD SCREW
	168	426-02-054-0001	BLADE GUARD
	169	426-02-063-0002	TABLE INSERT
	170	426-02-391-0009	TABLE, INCL:
	171	426-02-071-0001	PIN
	172	901-01-063-1906	7/16-14 X 2 3/4" HEX HD SCREW
	173	426-02-027-0001	CLAMP SHOE
	174	426-02-095-0002	TRUNNION
	175	901-02-763-1530	1/4-20 X 1/2" HEX WASHER HD SCREW
	176	901-01-063-1907	7/16-14 X 4" HEX HD SCREW
	177	426-02-027-0001	CLAMP SHOE
	178	426-02-395-0005	TRUNNION ASSY, INCL:
	179	426-02-132-0001	SCALE
	180	903-03-023-1333	RIVET
	181	901-02-763-1530	1/4-20 X 1/2" HEX WASHER HD SCREW
	182	901-01-060-0602	5/16-18 X 1 1/4" HEX HD SCREW
	182A	904-02-010-1703	5/16 LOCK WASHER
	183	928-05-013-1378	WAVE WASHER
	184	904-07-010-5571	FIBER WASHER
	185	426-02-412-0004	ADJ SCREW W/KNOB
	186	901-03-012-2144	#10-32 X 1/4" HEX SOC HD SCREW
	187	951-01-010-7802	POINTER
	189	426-03-388-0001	COLLAR ASSY, INCL:
	190	901-04-150-0208	1/4-20 X 1/4" HEX SOC SET SCREW
	191	904-07-010-5571	FIBER WASHER
	192	901-02-030-0408	5/16-18 X 3/4" FLAT HD SCREW
	193	426-02-314-0008	TRUNNION SUPPORT
	*	426-02-355-0004	LOWER BLADE GUIDE, CONST OF:
	194	426-02-004-0001	STEEL RAIL
	195	904-10-101-3166	SPACER
	196	426-02-014-0013	ADJUSTING LINK
	197	901-03-030-8013	1/4-20 X 3/4" FLAT HD SCREW
	198	952-02-011-3254	GUIDE BLOCK
	199	901-04-190-0225	5/16-18 X 1/4" HEX SOC SET SCREW
	200	426-02-098-0001	WEDGE
	201	928-01-021-3387	COIL SPRING
	202	426-02-098-0001	WEDGE
	203	426-02-106-0011	SHAFT
	204	426-02-014-0006	SUPPORT BRACKET
	205	952-02-011-3253	ANGLE GUIDE BLOCK
	206	920-08-020-1457	BALL BEARING
	207	426-02-033-0002	HANDLE
	208	902-01-020-5438	HEX NUT
	209	902-01-213-1908	LOCK NUT

\* NOT SHOWN ASSEMBLED



# REPLACEMENT PARTS

Ref.	No.	Part No.	Description	Ref.	No.	Part No.	Description
	301	438-02-314-6210	MOTOR, 28-348,28-348F		347	902-01-293-1513	#10-32 KEPS NUT
		n 438-02-314-6005	MOTOR, 28-348G		350	901-11-023-1476	5/16-18 X 5/8" CARRIAGE BOLT
	302	1340100	SWITCH COVER ASSY		351	902-01-503-1865	5/16-18 FLANGE NUT
	303	901-02-443-1899	#06-32 X 1/4" ROUND HD		352	901-11-020-0834	5/16-18 X 3/4" CARRIAGE BOLT
	304	402-07-104-5007	SPACER		356	741714	MOTOR PULLEY, INCL:
	305	1340095	1 PH MANUAL SWITCH, 28-348		357	n 901-04-190-0201	5/16-18 X 5/16" HEX SOC SET SCREW
		n 438-01-017-0101	LVC SWITCH, 28-348F, 28-348G		358	49-111	SET OF (2) V-BELTS
	306	402-07-111-5002	STUD		359	927-03-101-8019	KEY
	307	438-01-021-0149	SWITCH PLATE		360	426-03-017-0004	REDUCER 3/4"-5/8"
	308	422-04-116-0001	GASKET		364	n 436-01-725-0002	MOTOR/SAW MTG. HARDWARE PACK
	309	438-01-011-0036	INSULATOR		365	n 426-02-725-0011	STAND ASSY. HARDWARE PACK
	310	901-02-120-7533	1/4-20 X 2 3/4" TRUSS HD		366	n 52-704	1PH LVC CONTROL, 28-348F, NOTE A
	311	438-01-011-0064	PLUG			n 52-702	3PH LVC CONTROL, 28-348G, NOTE A
	312	438-01-001-0079	UTILITY BOX				
	313	438-01-004-0069	CORD CLAMP, 28-348		*		NOT SHOWN ASSEMBLED
		n 438-01-004-0007	CORD CLAMP, 28-348F, 28-348G		**		NOT SHOWN
	314	n 438-02-314-2019	CORD, INCL., 28-348, INCL.: REF. 318				
		n 438-01-302-0379	CORD, INCL., 28-348F, INCL.: REF. 318				
	315	430-02-104-0005	1-3/4" SPACER				
	316	904-02-020-1702	1/4" LOCKWASHER				
	317	902-01-120-1034	1/4-20 HEX NUT				
	318	438-01-018-0041	RING TERMINAL				
	319	438-01-302-0724	CORD, 28-348, INCL.:REF. 318				
		n 438-01-302-0721	CORD, 28-348F, & 28-348G INCL.:REF. 318				
	321	901-03-010-3318	#10-32 X 3/8" SOC. HD				
	322	n 438-01-302-0724	LVC CORD, 28-348F				
		n 438-01-302-0325	LVC CORD, 28-348G				
	324	n 438-01-011-0054	INSULATING SLEEVE				
	325	n 901-03-040-8015	1/4-20 X 1/2" BUTTON HD SCREW				
	*	426-02-389-0010	STAND, CONST OF:				
	326	901-01-060-0613	5/16-18 X 1 3/4" HEX HD				
	327	904-01-010-1605	3/8" FLAT WASHER				
	328	902-01-503-1514	5/16-18 FLANGE NUT				
	329	438-01-011-0078	BUSHING INSULATOR				
	330	426-02-072-0005	CABINET TOP				
	331	436-01-318-0027	CABINET, 28-348				
		n 436-01-318-0028	CABINET, 28-348F, 28-348G				
	332	426-02-059-0006	HINGE				
	333	436-01-004-0022	MOTOR BRACKET				
	334	901-11-023-1476	5/16-18 X 3/4" CARRIAGE BOLT				
	335	902-01-503-1865	5/16-18 FLANGE NUT				
	341	436-01-123-0013	CABINET DOOR				
	342	426-02-326-0002	CHUTE				
	343	406-12-026-0001	DUST PORT				
	344	901-02-453-1123	10-32 SCREW				
	345	426-02-068-0001	LATCH				
	346	901-03-010-3322	10-24 SCREW				

NOTE A: SEE LVC CONTROL INSTRUCTION SHEET FOR LVC REPLACEMENT PARTS.

## STANDARD SAFETY EQUIPMENT

In order to promote tool safety, Delta Machinery strictly enforces the policy of repairing or replacing any damaged or missing standard safety equipment on machines presented to Delta Authorized Service Centers for service/repairs. Any product that is presented to a Delta Authorized Service Centers for repairs which contains missing or damaged standard safety equipment will have that equipment repaired or replaced and the customer will be charged for any such service/repairs. Customers can avoid such charges only if the missing safety component is supplied to the service center at the time of repair.

*This parts list is provided to aid in obtaining service parts. Copies of the instruction and maintenance literature can be obtained through the Delta Technical Publications Department or through your service outlet.*