

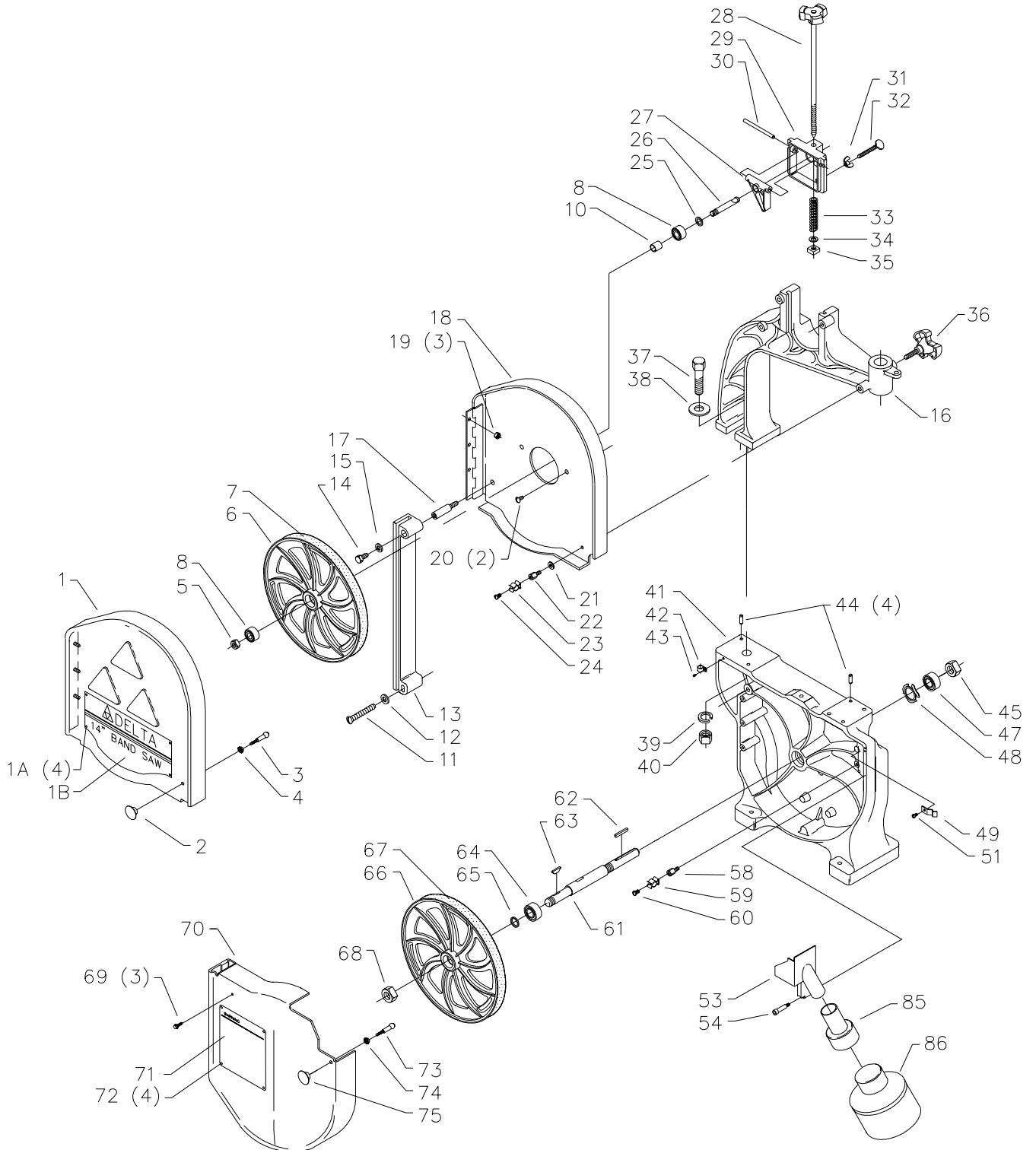


**28-262 & 28-263
14" BAND SAW
PLATINUM EDITION**

BS-2G-3

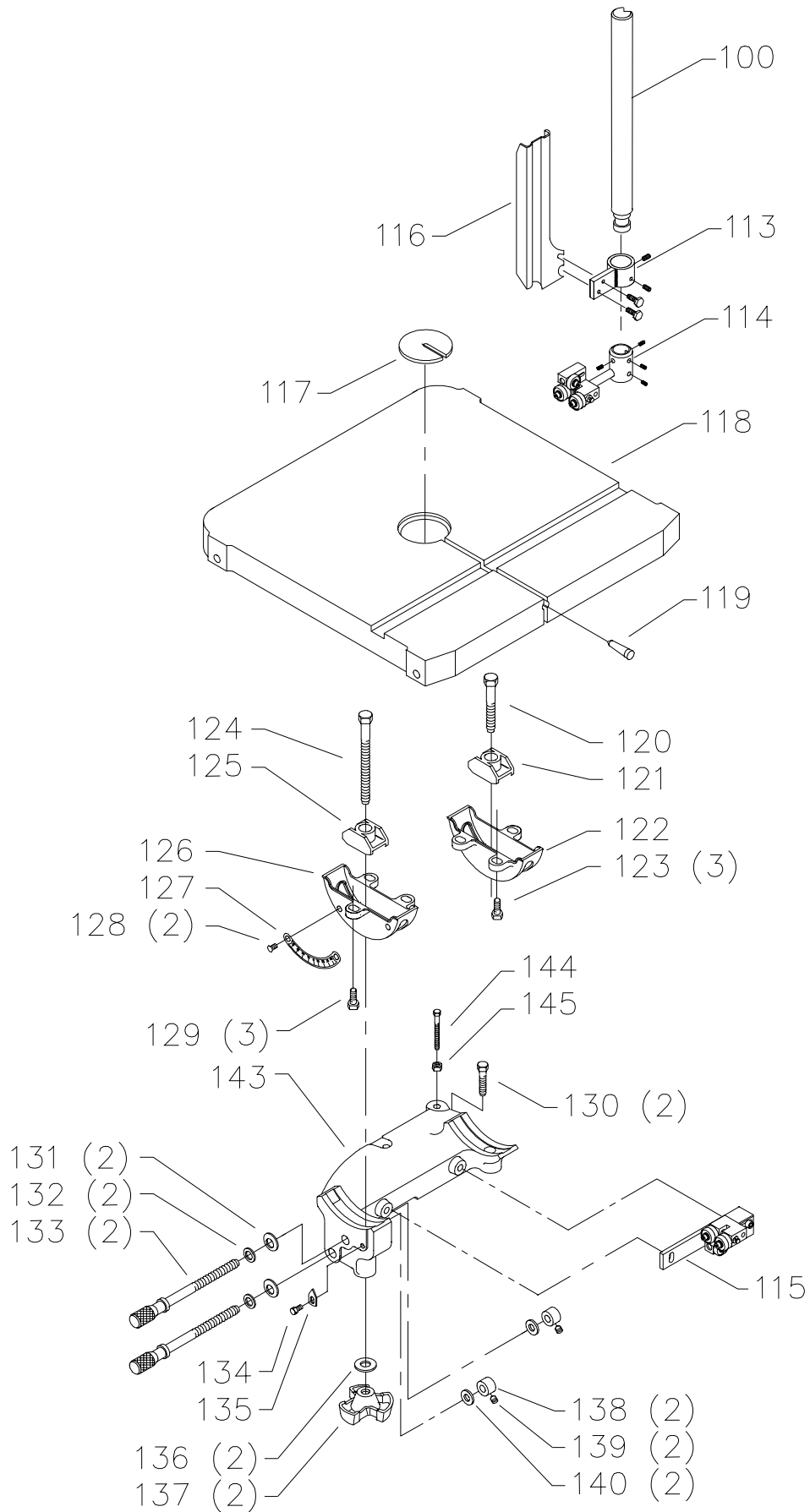
PART NO. 426-02-651-0036

DATED 08-13-04



REPLACEMENT PARTS

<u>REF.</u>			<u>REF.</u>		
<u>NO.</u>	<u>PART NUMBER</u>	<u>DESCRIPTION</u>	<u>NO.</u>	<u>PART NUMBER</u>	<u>DESCRIPTION</u>
1	426-02-354-0046	UPPER GUARD, INCL:	43	901-03-010-3318	#10-32 X 3/8" HEX SOC HD SCREW
1A	1087794	RIVET	44	905-04-071-4460	1/4" X 3/4" DOWEL PIN
1B	426-02-137-0001	NAMEPLATE	45	902-07-030-7171	BEARING NUT
2	406-03-060-0002	KNOB	47	920-04-020-5348	BEARING
3	426-02-071-0002	STUD	48	928-07-010-7353	SPRING
4	902-01-293-1513	#10-32 KEPS NUT	49	426-02-122-0004	SPRING CLIP
5	902-01-020-1227	1/2-20 JAM NUT	51	901-03-040-8015	1/4-20 X 1/2" BUTTON HD SCREW
6	426-03-400-0008	WHEEL ASSY, INCL:	53	426-02-026-0003	DUST SPOUT
7	426-02-094-0003	TIRE	54	901-03-063-1340	SHOULDER SCREW
8	920-04-010-7273	BEARING	58	426-02-111-0001	HEX STUD
10	426-02-104-0006	SPACER	59	426-02-122-0003	DOOR CATCH
11	901-02-012-1910	3/8-16 X 2 1/4" ROUND HD SCREW	60	901-02-051-2860	#08-32 X 1/4" FILL HD SCREW
12	904-01-010-1615	FLAT WASHER	61	426-02-106-0010	LOWER DRIVE SHAFT
13	426-02-054-0017	BLADE GUARD	62	927-03-010-2650	1 3/8" KEY
14	901-02-763-1527	5/16-18 X 1/2" HEX WASHER HD SCREW	63	927-01-100-2603	HI-PRO KEY
15	904-01-010-1615	FLAT WASHER	64	920-04-020-5348	BEARING
16	426-02-389-0004	FRAME ASSY, INCL:	65	904-01-031-4982	FLAT WASHER
17	426-02-111-0006	STUD	66	426-03-400-0010	WHEEL, INCL:
18	426-02-354-0044	REAR GUARD	67	426-02-094-0003	TIRE
19	902-01-133-1529	1/4-20 FLANGE NUT	68	902-07-030-7171	NUT
20	901-02-763-1527	5/16-18 X 1/2" HEX WASHER HD SCREW	69	901-02-763-1530	1/4-20 X 1/2" HEX WASHER HD SCREW
21	904-01-010-1620	FLAT WASHER	70	426-02-354-0047	LOWER GUARD, INCL:
22	426-02-111-0001	HEX STUD	71	426-02-754-0005	WARNING LABEL
23	426-02-122-0003	DOOR CATCH	72	1087794	RIVET
24	901-02-051-2860	#08-32 X 1/4" FILL HD SCREW	73	426-02-071-0002	DOOR LOCK STUD
25	904-01-032-2477	FLAT WASHER	74	902-01-293-1513	#10-32 KEPS NUT
*	426-02-359-0005	SLIDING BRACKET ASSY, INCL.:	75	406-03-060-0002	KNOB
26	426-02-106-0004	SHAFT	ACCESSORIES: (Optional)		
27	426-02-059-0001	HINGE			
28	426-02-412-0008	KNOB ASSY			
29	426-02-014-0003	SLIDING BRACKET			
30	905-04-141-3146	PIN	85	49-220	ADAPTER - HOSE
31	902-04-010-1403	5/16-18 WING NUT	86	50-484	ADAPTER - HOSE
32	901-04-261-4005	5/16-18 X 2 1/2" THUMB SCREW	* NOT SHOW ASSEMBLED		
33	928-01-041-3386	COIL SPRING			
34	904-07-010-5572	FIBER WASHER			
35	902-02-050-1317	3/8-16 SQUARE NUT			
36	426-02-327-0003	GUIDE LOCK KNOB			
37	901-01-060-9062	3/4-10 X 2 3/4" HEX HD SCREW			
38	904-01-010-1611	13/16" FLAT WASHER			
39	904-02-020-1707	LOCK WASHER			
40	902-01-100-1027	3/4-10 HEX NUT			
41	426-02-005-0005	BASE			
42	438-01-004-0082	CLAMP			



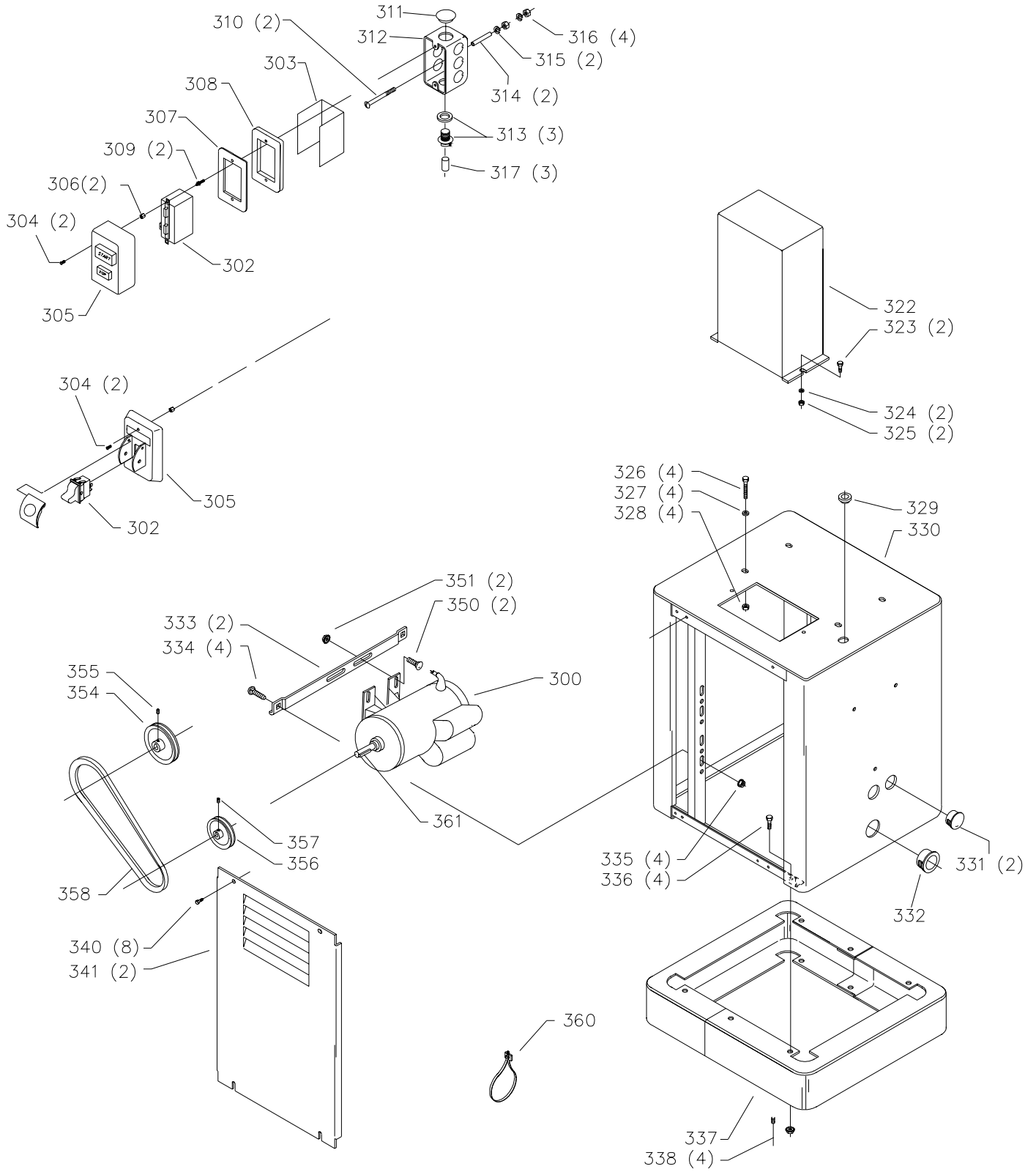
REPLACEMENT PARTS

REF.

<u>NO.</u>	<u>PART NUMBER</u>	<u>DESCRIPTION</u>
100	426-02-055-0001	GUIDE POST
113	n 426-02-014-0018	BRACKET
114	n 426-02-355-0008	UPPER GUIDE ASSY
115	n 426-02-355-0009	LOWER GUIDE ASSY
116	426-02-054-0025	BLADE GUARD
117	426-02-063-0002	TABLE INSERT
118	426-02-391-0005	TABLE, INCL:
119	426-02-071-0001	PIN
120	901-01-060-0625	7/16-14 X 2 1/4" HEX HD SCREW
121	426-02-027-0001	CLAMP SHOE
122	426-02-095-0002	TRUNNION
123	901-02-763-1530	1/4-20 X 1/2 HEX WASHER HD SCREW
124	901-01-060-0637	7/16-14 X 3 3/4" HEX HD SCREW
125	426-02-027-0001	CLAMP SHOE
126	n 426-02-395-0005	TRUNNION ASSY, INCL:
127	951-02-010-7832	SCALE
128	903-03-023-1333	RIVIT
129	901-02-763-1530	1/4-20 X 1/2 HEX WASHER HD SCREW
130	901-01-060-0602	5/16-18 X 1 1/4" HEX HD SCREW
131	928-05-013-1378	WAVE WASHER
132	904-07-010-5571	FIBER WASHER
133	426-02-412-0004	ADJ SCREW W/KNOB
134	901-03-012-2144	#10-32 X 1/4" HEX SOC HD SCREW
135	951-01-010-7802	POINTER
136	904-01-031-2925	FLAT WASHER
137	406-03-138-0004	KNOB
138	426-03-388-0001	SET COLLAR ASSY, INCL:
139	901-04-150-0208	1/4-20 X 1/4" HEX SOC SET SCREW
140	904-07-010-5571	FIBER WASHER
143	426-02-314-0008	TRUNNION SUPPORT ASSY, INCL:
144	901-01-060-3125	5/16-18 X 2 1/2" HEX HD SCREW
145	1087640	5/16-18 LOCK NUT

ACCESSORIES: (Optional)

** 28-984 HEIGHT ATTACHMENT
 ** NOT SHOWN



REPLACEMENT PARTS

REF.

<u>NO.</u>	<u>PART NUMBER</u>	<u>DESCRIPTION</u>
300	62-267	MOTOR ASSY
302	1340095	SWITCH
303	438-01-011-0036	INSULATOR
304	901-02-010-0567	#06-32 X 1/4" ROUND HD SCREW
305	1340100	SWITCH COVER ASSY.. INCL: REF. 307
306	402-07-104-5007	SPACER
307	438-01-021-0149	SWITCH PLATE
308	422-04-116-0001	GASKET
309	402-07-111-5002	STUD
310	901-02-120-7533	1/4-20 X 2 3/4" TRUSS HD SCREW
311	438-01-011-0064	PLUG
312	438-01-001-0055	UTILITY BOX
313	438-01-004-0007	CORD CLAMP
314	430-02-104-0005	1-3/4" SPACER
315	904-03-030-1656	1/4" LOCK WASHER
316	902-01-120-1034	1/4-20 HEX NUT
**	438-01-302-0688	SWITCH CORD
**	438-01-302-0689	POWER CORD
**	901-06-423-1170	#10-32 X 5/8" HEX HD SCREW
317	438-01-011-0054	INSULATOR SLEEVE
322	426-02-054-0024	PULLEY GUARD
323	901-01-060-0612	1/4-20 X 5/8" HEX HD SCREW
324	904-01-010-1614	FLAT WASHER
325	902-01-120-1034	1/4-20 HEX NUT
*	426-02-318-0006	STAND, INCL.:
326	901-01-060-0613	5/16-18 X 1 3/4" HEX HD SCREW
327	904-01-010-1605	3/8" FLAT WASHER
328	902-01-503-1514	5/16-18 FLANGE NUT
329	438-01-011-0051	BUSHING INSULATOR
330	426-02-318-0005	CABINET ASSY
331	438-01-011-0065	PLUG
332	438-01-011-0020	INSULATOR
333	436-01-004-0022	MOTOR BRACKET
334	901-11-020-0834	5/16-18 X 3/4" CARRIAGE HD SCREW
335	902-01-503-1514	5/16-18 FLANGE NUT
336	901-01-060-0607	5/16-18 X 3/4" HEX HD SCREW
337	436-01-305-0001	SUB BASE
338	902-01-503-1514	5/16-18 FLANGE NUT
340	901-06-443-1806	#10-24 X 1/2" HEX HD SCREW
341	436-01-123-0007	PANEL
350	901-11-020-0834	5/16-18 X 3/4" CARRIAGE HD SCREW
351	902-01-503-1514	5/16-18 FLANGE NUT
354	926-01-043-1763	PULLEY, INCL.:
355	901-04-150-0206	5/16-18 X 5/16" HEX SOC SET SCREW
356	926-01-041-9366	MOTOR PULLEY, INCL.:
357	901-04-150-0206	5/16-18 X 5/16" HEX SOC SET SCREW
358	49-051	52" V-BELT
360	438-01-004-0054	CABLE TIE
361	927-03-010-2662	3/16 X 3/4" KEY

* NOT SHOWN ASSEMBLED

STANDARD SAFETY EQUIPMENT

In order to promote tool safety, Delta Machinery strictly enforces the policy of repairing or replacing any damaged or missing standard safety equipment on machines presented to Delta Authorized Service Centers for service/repairs. Any product that is presented to a Delta Authorized Service Center for repair with damaged or missing standard safety equipment will have that equipment repaired or replaced and the customer will be charged for any such service/repairs. Customers can avoid such charges only if the missing safety component is supplied to the service center at the time of repair.

This parts list is provided to aid in obtaining service parts. Copies of the instruction and maintenance literature can be obtained through the Delta Technical Publications Department, your service outlet, or by visiting the Delta Website @ www.deltamachinery.com.