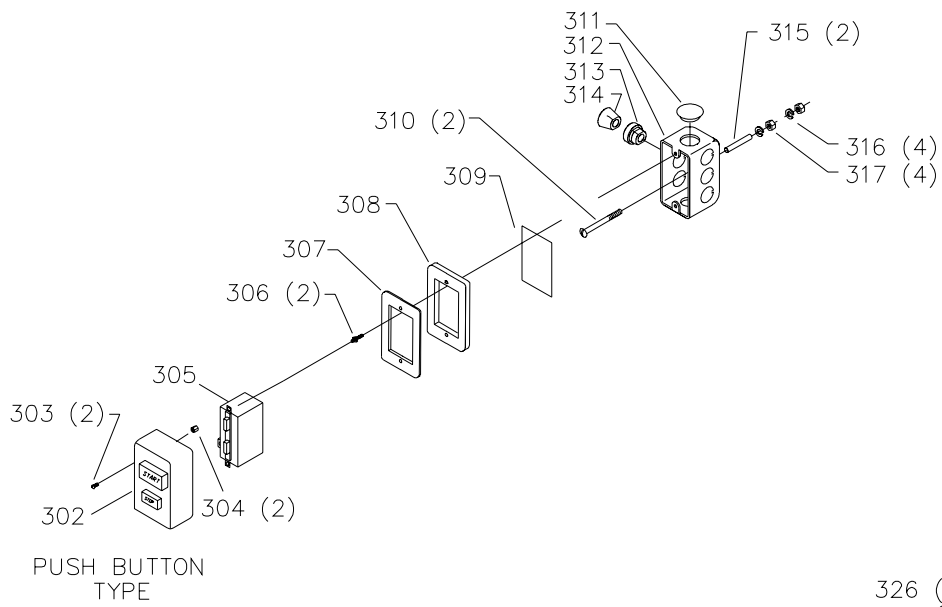
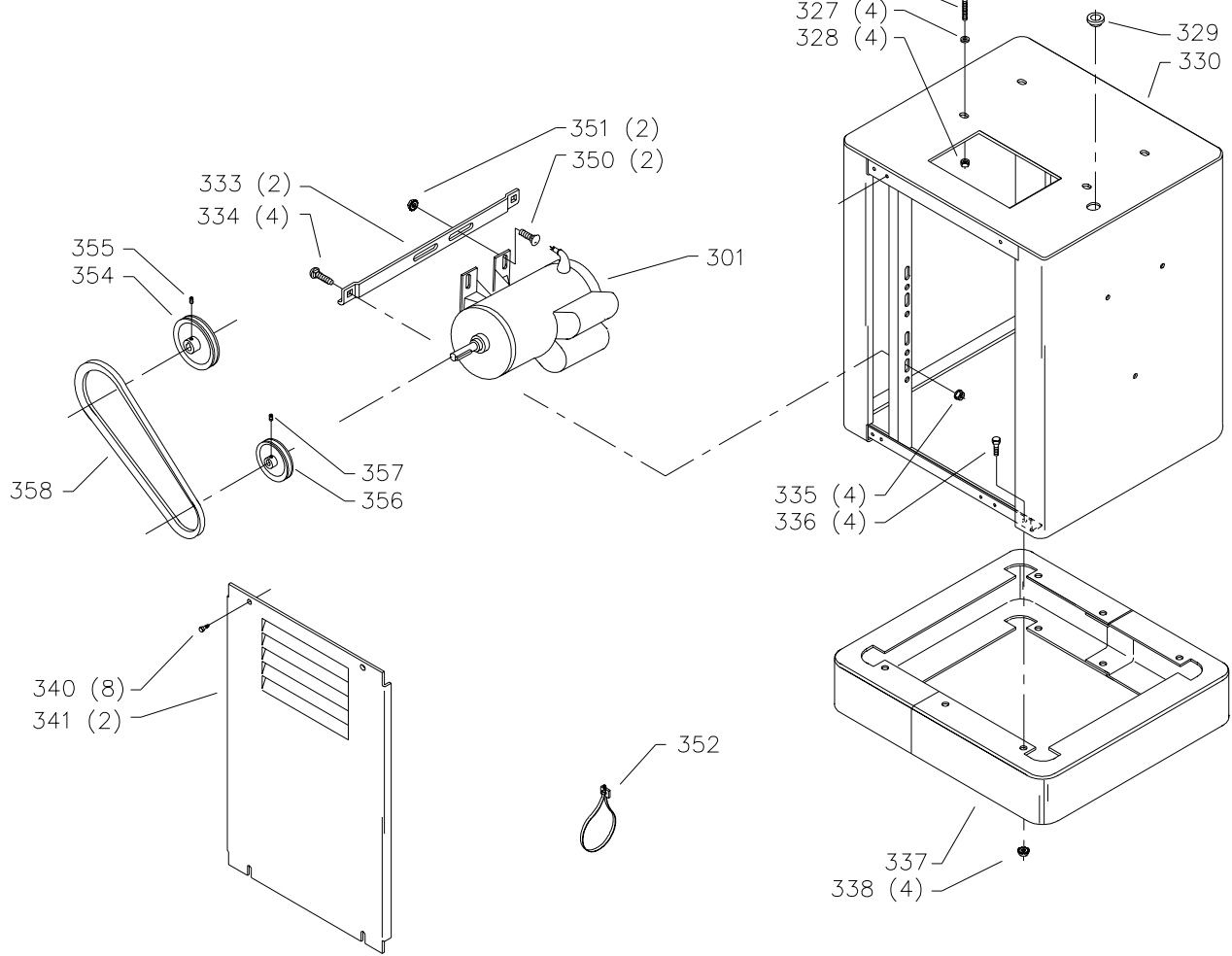


# REPLACEMENT PARTS

Ref.			Ref.		
<u>No.</u>	<u>Part No.</u>	<u>Description</u>	<u>No.</u>	<u>Part No.</u>	<u>Description</u>
100	426-02-055-0001	GUIDE POST	135	951-01-010-7802	POINTER
*	426-02-355-0002	UPPER BLADE GUIDE, INCL.:	136	904-01-031-2925	FLAT WASHER
101	902-08-041-3064	5/16-24 SERRATED NUT	137	406-03-138-0004	KNOB, EMO
102	901-04-150-0297	5/16-24 X 1 3/4" HEX SOC SET SCREW	138	426-03-388-0001	COLLAR ASSY, INCL.:
103	901-04-190-0207	5/16-18 X 1/2" HEX SOC SET SCREW	139	901-04-150-0208	1/4-20 X 1/4" HEX SOC SET SCREW
106	426-02-106-0009	HEXAGON SHAFT	140	904-07-010-5571	FIBER WASHER
107	426-02-089-0002	BRACKET	141	901-02-030-0408	5/16-18 X 3/4" FLAT HD SCREW
108	920-08-020-1457	BEARING	142	426-02-314-0008	TRUNNION SUPPORT ASSY, INCL.:
109	901-03-040-8015	1/4-20 X 1/2" BUTTON HD SCREW	143	901-01-060-3125	5/16-18 X 2 1/2" HEX HD SCREW
*	426-02-355-0003	BRACKET ASSY, INCL.:	144	1087640	5/16-18 LOCK NUT
110	426-02-014-0004	BRACKET	*	426-02-355-0004	LOWER BLADE GUIDE, INCL.:
111	901-04-190-0225	5/16-18 X 1/4" HEX SOC SET SCREW	145	426-02-004-0001	STEEL RAIL
112	952-02-011-3254	GUIDE BLOCK	146	904-10-101-3166	SPACER
113	901-04-260-1520	5/16-18 X 1/2" THUMB SCREW	147	426-02-014-0013	ADJUSTING LINK
114	901-04-260-1528	5/16-18 X 1" THUMB SCREW	148	901-03-030-8013	1/4-20 X 3/4" FLAT HD SCREW
115	901-03-040-8015	1/4-20 X 1/2" BUTTON HD SCREW	149	952-02-011-3254	GUIDE BLOCK
116	426-02-054-0001	BLADE GUARD	150	901-04-190-0225	5/16-18 X 1/4" HEX SOC SET SCREW
117	426-02-063-0002	TABLE INSERT	151	426-02-098-0001	WEDGE
118	426-02-391-0005	TABLE, INCL.:	152	928-01-021-3387	COIL SPRING
119	426-02-071-0001	PIN	153	426-02-098-0001	WEDGE
120	901-01-060-0625	7/16-14 X 2 1/4" HEX HD SCREW, EMO	154	426-02-106-0011	SHAFT
	901-01-063-1906	7/16-14 X 2 1/4" HEX HD SCREW, CMO	155	426-02-014-0006	SUPPORT BRACKET
121	426-02-027-0001	CLAMP SHOE	156	952-02-011-3253	ANGLE GUIDE BLOCK
122	426-02-095-0002	TRUNNION	157	920-08-020-1457	BEARING
123	901-02-763-1530	1/4-20 X 1/2" HEX WASHER HD SCREW	158	426-02-033-0001	HANDLE, CMO
124	901-01-060-0637	7/16-14 X 3 3/4" HEX HD SCREW, EMO	159	902-01-020-5438	HEX NUT, CMO
	901-01-063-1907	7/16-14 X 3 3/4" HEX HD SCREW, CMO	160	902-01-213-1908	LOCK NUT, CMO
125	426-02-027-0001	CLAMP SHOE			
126	426-02-395-0005	TRUNNION ASSY, INCL.:	*	NOT SHOWN ASSEMBLED	
127	426-02-132-0001	SCALE			
128	903-03-023-1333	RIVIT			
129	901-02-763-1530	1/4-20 X 1/2" HEX WASHER HD SCREW			
130	901-01-060-0602	5/16-18 X 1 1/4" HEX HD SCREW			
131	928-05-013-1378	WAVE WASHER			
132	904-07-010-5571	FIBER WASHER			
133	426-02-412-0004	ADJ SCREW W/KNOB			
134	901-03-012-2144	#10-32 X 1/4" HEX SOC HD SCREW			



PUSH BUTTON TYPE



364 MOTOR/SAW MTG. HARDWARE PACK

# REPLACEMENT PARTS

<u>Ref.</u>	<u>No.</u>	<u>Part No.</u>	<u>Description</u>
	301	n 438-02-314-6212	MOTOR - 1HP
	302	1340100	SWITCH COVER ASSY
	303	901-02-443-1899	#06-32 X 1/4" ROUND HD SCREW
	304	402-07-104-5007	SPACER
	305	1340095	1 PH MANUAL SWITCH
	306	402-07-111-5002	STUD
	307	438-01-021-0149	SWITCH PLATE
	308	422-04-116-0001	GASKET
	309	438-01-011-0036	INSULATOR
	310	901-02-120-7533	1/4-20 X 2 3/4" TRUSS HD SCREW
	311	438-01-011-0064	PLUG
	312	438-01-001-0079	UTILITY BOX
	313	438-01-004-0007	CORD CLAMP
	314	438-01-011-0054	INSULATOR SLEEVE
	315	430-02-104-0005	1-3/4" SPACER
	316	904-02-020-1702	1/4" LOCKWASHER
	317	902-01-120-1034	1/4-20 HEX NUT
	**	438-01-302-0315	POWER CORD, INCL.:
	**	438-01-018-0041	RING TERMINAL
	**	438-01-302-0719	SWITCH CORD, INCL.:
	**	438-01-018-0041	RING TERMINAL
	**	901-06-423-1170	#10-32 X 5/8" SOC. HDSCREW
	326	901-01-060-0613	5/16-18 X 1 3/4" HEX HD SCREW
	327	904-01-010-1605	3/8" FLAT WASHER
	328	902-01-503-1514	5/16-18 FLANGE NUT
	329	438-01-011-0078	BUSHING INSULATOR
	330	426-02-318-0008	CABINET ASSY.
	333	436-01-004-0022	MOTOR BRACKET
	334	901-11-020-0834	5/16-18 X 3/4" CARRIAGE HD SCREW
	335	902-01-503-1514	5/16-18 FLANGE NUT
	336	901-01-060-0607	5/16-18 X 3/4" HEX HD SCREW
	337	436-01-305-0001	SUB BASE
	338	902-01-503-1514	5/16-18 FLANGE NUT
	340	901-06-443-1806	#10-24 X 1/2" HEX HD SCREW
	341	436-01-123-0008	PANEL
	350	901-11-020-0834	5/16-18 X 3/4" CARRIAGE HD SCREW
	351	902-01-503-1514	5/16-18 FLANGE NUT
	352	438-01-004-0054	CABLE TIE
	354	426-02-130-0002	9" DRIVEN PULLEY (INCL. W/SAW)
	355	901-04-150-0231	5/16-18 X 3/8" HEX SOC SET SCREW
	356	926-01-041-9366	2 1/4" MOTOR PULLEY (INCL. W/SAW)
	357	901-04-150-0231	5/16-18 X 3/8" HEX SOC SET SCREW
	358	49-172	59" OC V-BELT (INCLUDED W/SAW)
	364	436-01-725-0002	MOTOR/SAW MTG. HARDWARE PACK
	*	NOT SHOWN ASSEMBLED	
	**	NOT SHOWN	

---

## STANDARD SAFETY EQUIPMENT

In order to promote tool safety, Delta Machinery strictly enforces the policy of repairing or replacing any damaged or missing standard safety equipment on machines presented to Delta Authorized Service Centers for service/repairs. Any product that is presented to a Delta Authorized Service Center for repair with damaged or missing standard safety equipment will have that equipment repaired or replaced and the customer will be charged for any such service/repairs. Customers can avoid such charges only if the missing safety component is supplied to the service center at the time of repair.

This parts list is provided to aid in obtaining service parts. Copies of the instruction and maintenance literature can be obtained through the Delta Technical Publications Department, your service outlet, or by visiting the Delta Website @ [www.deltamachinery.com](http://www.deltamachinery.com).