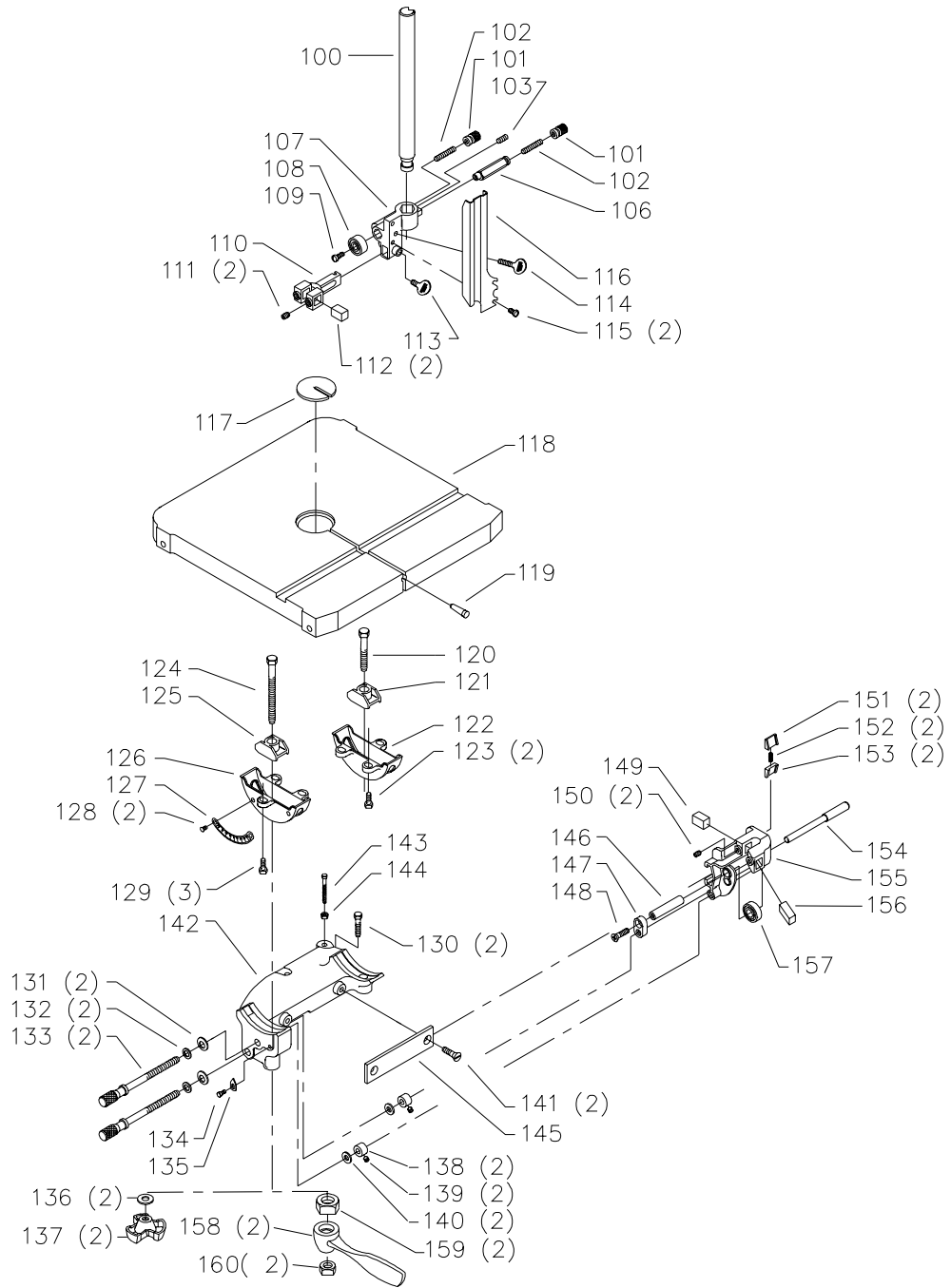
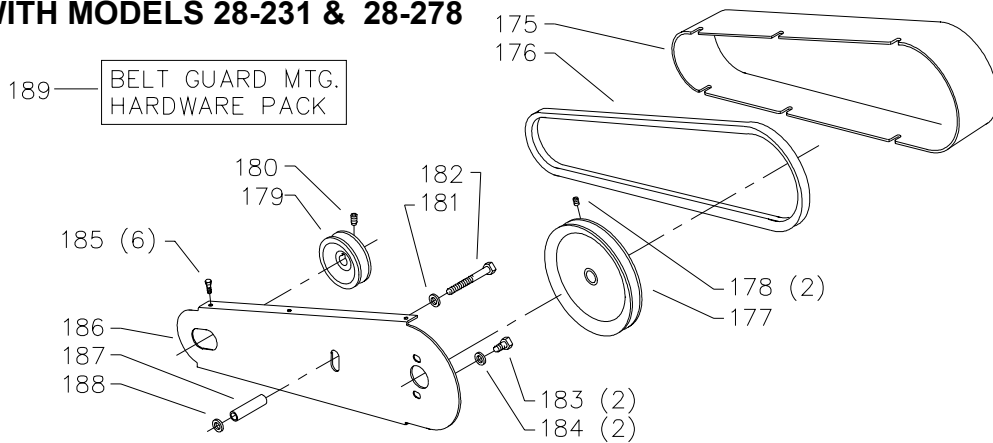


# REPLACEMENT PARTS

Ref.	No.	Part No.	Description	Ref.	No.	Part No.	Description
	1	426-02-354-0049	UPPER GUARD-FRONT , INCL:		61	426-02-106-0010	LOWER DRIVE SHAFT
	2	406-03-060-0002	KNOB		62	927-03-010-2650	1 3/8" KEY
	3	426-02-071-0002	DOOR LOCK STUD		63	927-01-100-2603	HI-PRO KEY
	4	902-01-293-1513	#10-32 KEPS NUT		64	920-04-020-5348	BEARING
	5	902-01-020-1227	1/2-20 JAM NUT		65	904-01-031-4982	FLAT WASHER
	6	426-03-400-0008	UPPER WHEEL ASSY, INCL:		66	426-03-400-0010	LOWER WHEEL, INCL:
	7	426-02-094-0003	TIRE		67	426-02-094-0003	TIRE
	8	920-04-010-7273	BEARING		68	902-07-030-7171	BEARING NUT
	10	426-02-104-0006	SPACER		69	426-02-354-0051	LOWER GUARD ASSY , INCL:
	11	901-02-012-1910	3/8-16 X 2 1/4" ROUND HD SCREW		69A	426-02-754-0009	WARNING LABEL ,
	12	904-01-010-1615	FLAT WASHER		70	901-02-763-1530	1/4-20 X 1/2" HEX WASHER HD SCREW
	13	426-02-054-0017	BLADE GUARD		73	426-02-071-0002	DOOR LOCK STUD
	14	901-02-763-1527	5/16-18 X 1/2" HEX WASHER HD SCREW		74	902-01-293-1513	#10-32 KEPS NUT
	15	904-01-010-1615	FLAT WASHER		75	406-03-060-0002	KNOB
	16	426-02-389-0004	UPPER FRAME ASSY, INCL:		76	426-02-071-0003	PIN, 28-231, 28-278 CMO
	17	426-02-111-0006	STUD		77	426-02-074-0001	RUBBER BALL, 28-231, 28-278 CMO
	18	426-02-354-0048	REAR GUARD		78	901-04-190-0225	5/16-18 X 1/4 SET SCREW , 28-231, 28-278 CMO
	19	902-01-133-1529	1/4-20 FLANGE NUT		79	901-01-063-1656	1/4" X 20 -3/4" SCREW, 28-231, 28-278 CMO
	20	901-02-763-1527	5/16-18 X 1/2" HEX WASHER HD SCREW		80	901-01-063-1909	1/4" X 20 -1/2" SCREW, 28-231, 28-278 CMO
	21	904-01-010-1620	FLAT WASHER		81	928-06-013-1910	WASHER, 28-231, 28-278 CMO
	22	426-02-111-0001	HEX STUD		82	426-02-088-0002	BRACKET, 28-231, 28-278 CMO
	23	426-02-122-0003	DOOR CATCH		*		ACCESSORIES: (Op
	24	901-02-051-2860	#08-32 X 1/4" FILL HD SCREW		85	49-220	HOSE ADAPTER (1 1/2" TO 2 1/4")
	25	904-01-032-2477	FLAT WASHER		86	49-228	HOSE COUPLING (2 1/4")
	*	426-02-359-0005	SLIDING BRACKET ASSY, INCL.:		87	50-484	HOSE COUPLING (2 1/2" TO 4")
	26	426-02-106-0004	UPPER WHEEL SHAFT				EMO=EARLY MODELS ONLY CMO=CURRENT MODELS
	27	426-02-059-0001	HINGE		*		NOT SHOWN ASSEMBLED
	28	426-02-412-0009	KNOB ASSY., 28-231, 28-278 CMO				
		426-02-412-0008	KNOB ASSY., 28-278 EMO, 28-209, 28-293, 28-299				
	29	426-02-014-0003	SLIDING BRACKET				
	30	905-04-141-3146	PIN				
	31	902-04-010-1403	5/16-18 WING NUT				
	32	901-04-261-4005	5/16-18 X 2 1/2" THUMB SCREW				
	33	928-01-603-1902	HD SPRING, 28-231, 28-278 CMO				
		928-01-041-3386	SPRING, 28-278 EMO, 28-209, 28-293, 28-299				
	34	904-01-033-1451	WASHER, 28-231, 28-278 CMO				
		904-07-010-5572	WASHER, 28-278 EMO, 28-209, 28-293, 28-299				
	35	902-02-053-1904	3/8-12 ACME NUT, 28-231, 28-278 CMO				
		902-02-050-1317	3/8-16 NUT, 28-278 EMO, 28-209, 28-293, 28-299				
	36	426-02-327-0003	GUIDE LOCK KNOB				
	37	901-01-060-9062	3/4-10 X 2 3/4" HEX HD SCREW				
	38	904-01-010-1611	13/16" FLAT WASHER				
	39	904-02-020-1707	LOCK WASHER				
	40	902-01-100-1027	3/4-10 HEX NUT				
	41	426-02-005-0005	BASE				
	42	438-01-004-0082	CABLE CLAMP				
	43	901-03-010-3318	#10-32 X 3/8" HEX SOC HD SCREW				
	44	905-04-071-4460	1/4" X 3/4" DOWEL PIN				
	45	902-07-030-7171	BEARING NUT				
	46	904-01-031-4982	FLAT WASHER				
	47	920-04-020-5348	BEARING				
	48	928-07-010-7353	BEARING LOAD SPRING				
	49	426-02-122-0004	SPRING CLIP				
	50	904-02-020-1702	1/4" LOCK WASHER				
	51	901-03-010-0763	1/4-20 X 3/8" HEX SOC HD SCREW				
	52	436-01-016-2001	BUMPER				
	53	426-02-026-0003	DUST SPOUT				
	54	901-03-063-1340	SHOULDER SCREW				
	58	426-02-111-0001	HEX STUD				
	59	426-02-122-0003	DOOR CATCH				
	60	901-02-051-2860	#08-32 X 1/4" FILL HD SCREW				



**USE WITH MODELS 28-231 & 28-278**



# REPLACEMENT PARTS

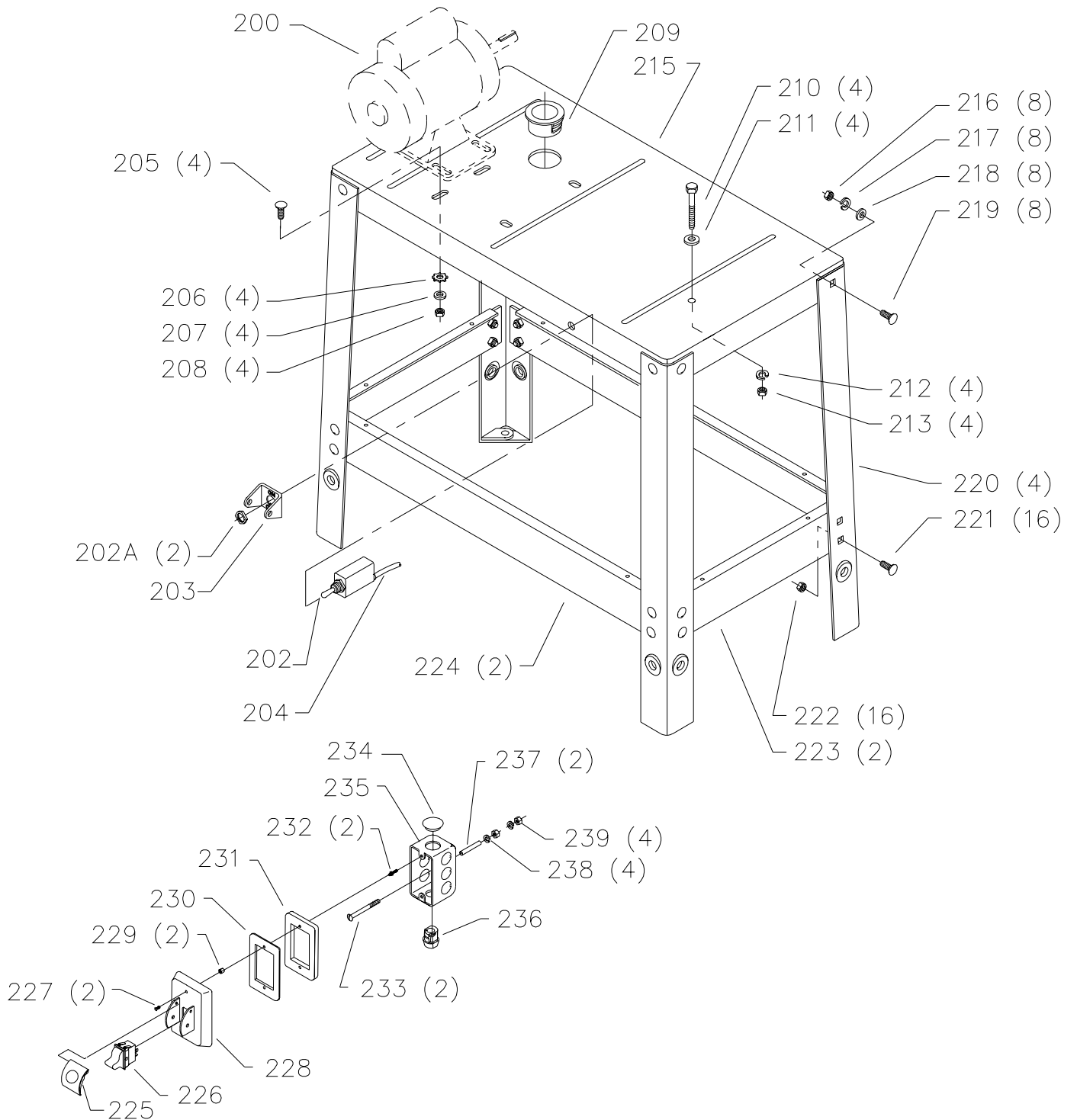
<u>Ref.</u>	<u>No.</u>	<u>Part No.</u>	<u>Description</u>	<u>Ref.</u>	<u>No.</u>	<u>Part No.</u>	<u>Description</u>
	100	426-02-055-0001	GUIDE POST	139	901-04-150-0208	1/4-20 X 1/4" HEX SOC SET SCREW	
	*	426-02-355-0002	UPPER BLADE GUIDE, INCL.:	140	904-07-010-5571	FIBER WASHER	
	101	902-08-041-3064	5/16-24 SERRATED NUT	141	901-02-030-0408	5/16-18 X 3/4" FLAT HD SCREW	
	102	901-04-150-0297	5/16-24 X 1 3/4" HEX SOC SET SCREW	142	426-02-314-0008	TRUNNION SUPPORT ASSY, INCL.:	
	103	901-04-190-0207	5/16-18 X 1/2" HEX SOC SET SCREW	143	901-01-060-3125	5/16-18 X 2 1/2" HEX HD SCREW	
	106	426-02-106-0009	HEXAGON SHAFT	144	1087640	5/16-18 LOCK NUT	
	107	426-02-089-0002	BRACKET	*	426-02-355-0004	LOWER BLADE GUIDE, INCL.:	
	108	920-08-020-1457	BEARING	145	426-02-004-0001	STEEL RAIL	
	109	901-03-040-8015	1/4-20 X 1/2" BUTTON HD SCREW	146	904-10-101-3166	SPACER	
	*	426-02-355-0003	BRACKET ASSY, INCL.:	147	426-02-014-0013	ADJUSTING LINK	
	110	426-02-014-0004	BRACKET	148	901-03-030-8013	1/4-20 X 3/4" FLAT HD SCREW	
	111	901-04-190-0225	5/16-18 X 1/4" HEX SOC SET SCREW	149	952-02-011-3254	GUIDE BLOCK	
	112	952-02-011-3254	GUIDE BLOCK	150	901-04-190-0225	5/16-18 X 1/4" HEX SOC SET SCREW	
	113	901-04-260-1520	5/16-18 X 1/2" THUMB SCREW	151	426-02-098-0001	WEDGE	
	114	901-04-260-1528	5/16-18 X 1" THUMB SCREW	152	928-01-021-3387	COIL SPRING	
	115	901-03-040-8015	1/4-20 X 1/2" BUTTON HD SCREW	153	426-02-098-0001	WEDGE	
	116	426-02-054-0001	BLADE GUARD	154	426-02-106-0011	SHAFT	
	117	426-02-063-0002	TABLE INSERT	155	426-02-014-0006	SUPPORT BRACKET	
	118	426-02-391-0005	TABLE, INCL.:	156	952-02-011-3253	ANGLE GUIDE BLOCK	
	119	426-02-071-0001	PIN	157	920-08-020-1457	BEARING	
	120	901-01-063-1906	7/16-14 X 2 1/4" SCREW, 28-231	158	426-02-033-0001	HANDLE, 28-231, 28-278 CMO	
		901-01-060-0625	7/16-14 X 2 1/4" SCREW, 28-278, 28-209, 28-293, 28-299	159	902-01-020-5438	HEX NUT, 28-231, 28-278 CMO	
	121	426-02-027-0001	CLAMP SHOE	160	902-01-213-1908	LOCK NUT, 28-231, 28-278 CMO	
	122	426-02-095-0002	TRUNNION	175	426-02-054-0009	FRONT BELT GUARD	
	123	901-02-763-1530	1/4-20 X 1/2" HEX WASHER HD SCREW	176	925-01-033-1780	41" OC V-BELT ,	
	124	901-01-063-1907	7/16-14 X 3 3/4" HEX HD SCREW, 28-231	177	926-01-043-1763	4 5/8" DRIVEN PULLEY , INCL.:	
		901-01-060-0637	7/16-14 X 3 3/4" HEX HD SCREW, 28-278, 28-209, 28-293, 28-299	178	901-04-150-0206	5/16-18 X 5/16" HEX SOC SET SCREW	
	125	426-02-027-0001	CLAMP SHOE	179	926-01-041-9366	2 1/4" MOTOR PULLEY, INCL.:	
	126	426-02-395-0005	TRUNNION ASSY, INCL.:	180	901-04-150-0206	5/16-18 X 5/16" HEX SOC SET SCREW	
	127	426-02-132-0001	SCALE	181	904-01-010-1620	FLAT WASHER	
	128	903-03-023-1333	RIVIT	182	901-01-060-5759	5/16-18 X 2 3/4" HEX HD SCREW	
	129	901-02-763-1530	1/4-20 X 1/2" HEX WASHER HD SCREW	183	901-01-060-0606	5/16-18 X 5/8" HEX HD SCREW	
	130	901-01-060-0602	5/16-18 X 1 1/4" HEX HD SCREW	184	904-01-010-1620	FLAT WASHER	
	131	928-05-013-1378	WAVE WASHER	185	901-06-423-1170	#10-32 X 5/8" HEX HD SCREW	
	132	904-07-010-5571	FIBER WASHER	186	426-02-054-0026	GUARD	
	133	426-02-412-0004	ADJ SCREW W/KNOB	187	426-02-104-0003	SPACER	
	134	901-03-012-2144	#10-32 X 1/4" HEX SOC HD SCREW	188	904-01-010-1620	FLAT WASHER	
	135	951-01-010-7802	POINTER	189	426-02-628-0008	BELT GUARD HARDWARE PACK	
	136	904-01-031-2925	WASHER, 28-278 EMO, 28-209, 28-293, 28-299				
	137	406-03-138-0004	KNOB, 28-278 EMO, 28-209, 28-293, 28-299				
	138	426-03-388-0001	COLLAR ASSY, INCL.:				

EMO=EARLY MODELS ONLY  
CMO=CURRENT MODELS

\* NOT SHOWN ASSEMBLED

**FOR USE WITH MODELS 28-231 & 28-278**

- 242 — MOTOR MOUNTING  
HARDWARE PACK
  - BAND SAW MOUNTING  
HARDWARE PACK — 243
- 244 — STAND ASSEMBLY  
HARDWARE PACK

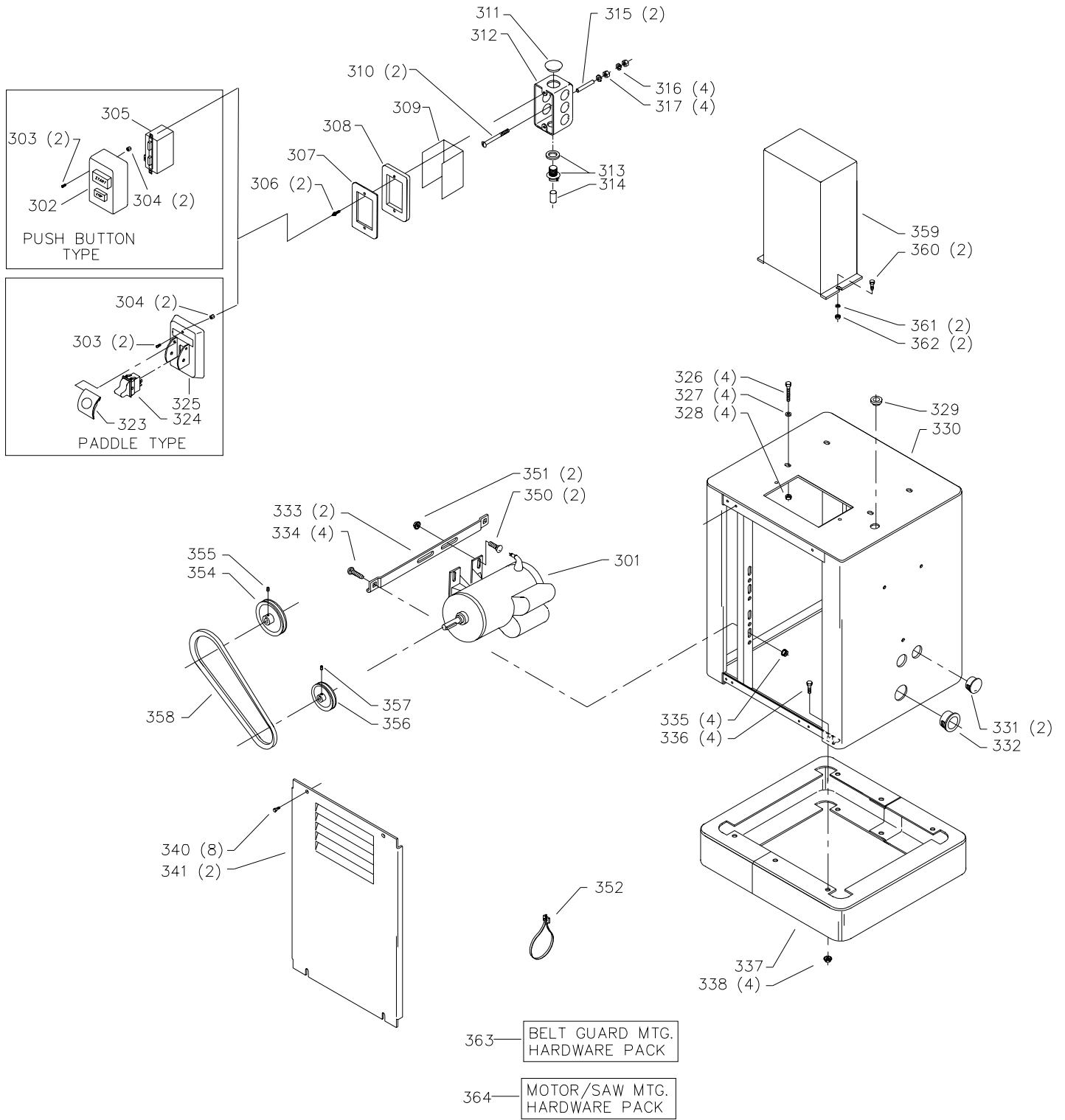


# REPLACEMENT PARTS

<b>Ref.</b>	<b>No.</b>	<b>Part No.</b>	<b>Description</b>
	200	438-02-314-6210	1 1/2 HP MOTOR, 28-231
		62-158	3/4 HP MOTOR, INCL., 28-278
	202	438-01-628-0005	SWITCH ASSY, INCL., 28-278
	202A	1087737	NUT, 28-278
	203	424-01-014-0002	SWITCH BRACKET, 28-278
	204	438-01-302-0441	CABLE ASSY, 28-278
	205	901-11-023-1476	5/16-18 X 5/8" CARRIAGE HD SCREW
	206	904-03-033-1867	5/16" EXT TOOTH WASHER
	207	904-01-013-1855	FLAT WASHER
	208	902-01-013-1859	5/16-18 HEX NUT
	209	438-01-011-0020	INSULATOR
	210	901-01-060-0613	5/16-18 X 1 3/4" HEX HD SCREW
	211	904-01-010-1605	3/8" FLAT WASHER
	212	904-02-010-1703	5/16" LOCK WASHER
	213	902-01-010-1300	5/16-18 HEX NUT
	*	436-02-389-0008	STAND ASSY, INCL.:
	215	436-02-115-0106	SHELF
	216	902-01-013-1859	5/16-18 HEX NUT
	217	904-03-033-1867	5/16" LOCK WASHER
	218	904-01-013-1855	FLAT WASHER
	219	901-11-023-1476	5/16-18 X 5/8" CARRIAGE HD SCREW
	220	436-02-066-0030	LEG
	221	901-11-023-1476	5/16-18 X 5/8" CARRIAGE HD SCREW
	222	902-01-013-1859	5/16-18 HEX NUT
	223	436-02-103-0016	TIE BAR
	224	436-02-103-0017	TIE BAR
	225	422-39-067-0001	SWITCH ACTUATOR, 28-231
	226	438-01-017-0206	SWITCH, 28-231
	227	901-02-010-0567	#06-32 X 1/4" ROUND HD SCREW, 28-231
	228	438-01-008-0074	SWITCH COVER, 28-231
	229	402-07-104-5007	SPACER, 28-231
	230	438-01-021-0149	SWITCH PLATE, 28-231
	231	422-04-116-0001	GASKET, 28-231
	232	402-07-111-5002	STUD, 28-231
	233	901-02-120-7533	1/4-20 X 2 3/4" TRUSS HD SCREW, 28-231
	234	438-01-011-0064	PLUG, 28-231
	235	438-01-001-0079	UTILITY BOX, 28-231
	236	438-01-004-0099	CORD CLAMP, 28-231
	237	430-02-104-0005	1-3/4" SPACER, 28-231
	238	904-02-020-1702	1/4" LOCK WASHER, 28-231
	239	902-01-120-1034	1/4-20 HEX NUT, 28-231
	**	438-01-302-0723	SWITCH CORD, 28-231
	**	438-01-302-2018	POWER CORD, 28-231
	242	426-02-725-0006	MTR. MTG. HARDWARE PACK
	243	436-02-725-0001	SAW MTG. HARDWARE PACK
	244	426-02-725-0005	STAND ASSEMBLY HARDWARE PACK

\* NOT SHOWN ASSEMBLED

**FOR USE WITH MODEL 28-293 & 28-299**



# REPLACEMENT PARTS

<u>Ref.</u>	<u>No.</u>	<u>Part No.</u>	<u>Description</u>
	301	62-267	MOTOR - 1HP
	302	1340100	SWITCH COVER ASSY
	303	901-02-010-0567	#06-32 X 1/4" ROUND HD SCREW
	304	402-07-104-5007	SPACER
	305	1340095	1 PH MANUAL SWITCH
	306	402-07-111-5002	STUD
	307	438-01-021-0149	SWITCH PLATE
	308	422-04-116-0001	GASKET
	309	438-01-011-0036	INSULATOR
	310	901-02-120-7533	1/4-20 X 2 3/4" TRUSS HD SCREW
	311	438-01-011-0064	PLUG
	312	438-01-001-0055	UTILITY BOX
	313	438-01-004-0007	CORD CLAMP
	314	438-01-011-0054	INSULATOR SLEEVE
	315	430-02-104-0005	1-3/4" SPACER
	316	904-02-020-1702	1/4" LOCKWASHER
	317	902-01-120-1034	1/4-20 HEX NUT
	**	438-01-302-0315	POWER CORD, INCL.:
	**	438-01-018-0041	RING TERMINAL
	**	438-01-302-0604	SWITCH CORD, INCL.:
	**	438-01-018-0041	RING TERMINAL
	**	901-06-423-1170	#10-32 X 5/8" HEX HD GROUND SCREW
	323	422-39-067-0001	SWITCH ACTUATOR
	324	438-01-017-0206	SWITCH
	325	438-01-008-0074	SWITCH COVER
	326	901-01-060-0613	5/16-18 X 1 3/4" HEX HD SCREW
	327	904-01-010-1605	3/8" FLAT WASHER
	328	902-01-503-1514	5/16-18 FLANGE NUT
	329	438-01-011-0051	BUSHING INSULATOR
	330	426-02-318-0007	CABINET ASSY.
	331	438-01-011-0065	PLUG
	332	438-01-011-0020	INSULATOR
	333	436-01-004-0022	MOTOR BRACKET
	334	901-11-020-0834	5/16-18 X 3/4" CARRIAGE HD SCREW
	335	902-01-503-1514	5/16-18 FLANGE NUT
	336	901-01-060-0607	5/16-18 X 3/4" HEX HD SCREW
	337	436-01-305-0001	SUB BASE
	338	902-01-503-1514	5/16-18 FLANGE NUT
	340	901-06-443-1806	#10-24 X 1/2" HEX HD SCREW
	341	436-01-123-0008	PANEL
	350	901-11-020-0834	5/16-18 X 3/4" CARRIAGE HD SCREW
	351	902-01-503-1514	5/16-18 FLANGE NUT
	352	438-01-004-0054	CABLE TIE
	354	926-01-043-1763	4 5/8" D/PULLEY (INCL. W/BASIC MACH.)
	355	901-04-150-0231	5/16-18 X 3/8" HEX SOC SET SCREW
	356	926-01-041-9366	2 1/4" M/PULLEY (INCL. W/BASIC MACH.)
	357	901-04-150-0231	5/16-18 X 3/8" HEX SOC SET SCREW
	358	49-051	52" OC V-BELT (INCL. W/BASIC MACHINE)
	359	426-02-054-0027	PULLEY GUARD (INCL. W/BASIC MACHINE)
	360	901-01-060-0612	1/4-20 X 5/8" HEX HD SCREW (INCL. W/BASIC MACH.)
	361	904-01-010-1614	FLAT WASHER (INCL. W/BASIC MACHINE)
	362	902-01-120-1034	1/4-20 HEX NUT (INCL. W/BASIC MACHINE)
	363	426-02-725-0007	BELT GUARD HARDWARE PACK
	364	436-01-725-0002	MOTOR/SAW MTG. HARDWARE PACK
	*		NOT SHOWN ASSEMBLED
	**		NOT SHOWN

---

## STANDARD SAFETY EQUIPMENT

In order to promote tool safety, Delta Machinery strictly enforces the policy of repairing or replacing any damaged or missing standard safety equipment on machines presented to Delta Authorized Service Centers for service/repairs. Any product that is presented to a Delta Authorized Service Centers for repairs which contains missing or damaged standard safety equipment will have that equipment repaired or replaced and the customer will be charged for any such service/repairs. Customers can avoid such charges only if the missing safety component is supplied to the service center at the time of repair.

*This parts list is provided to aid in obtaining service parts. Copies of the instruction and maintenance literature can be obtained through the Delta Technical Publications Department or through your service outlet.*