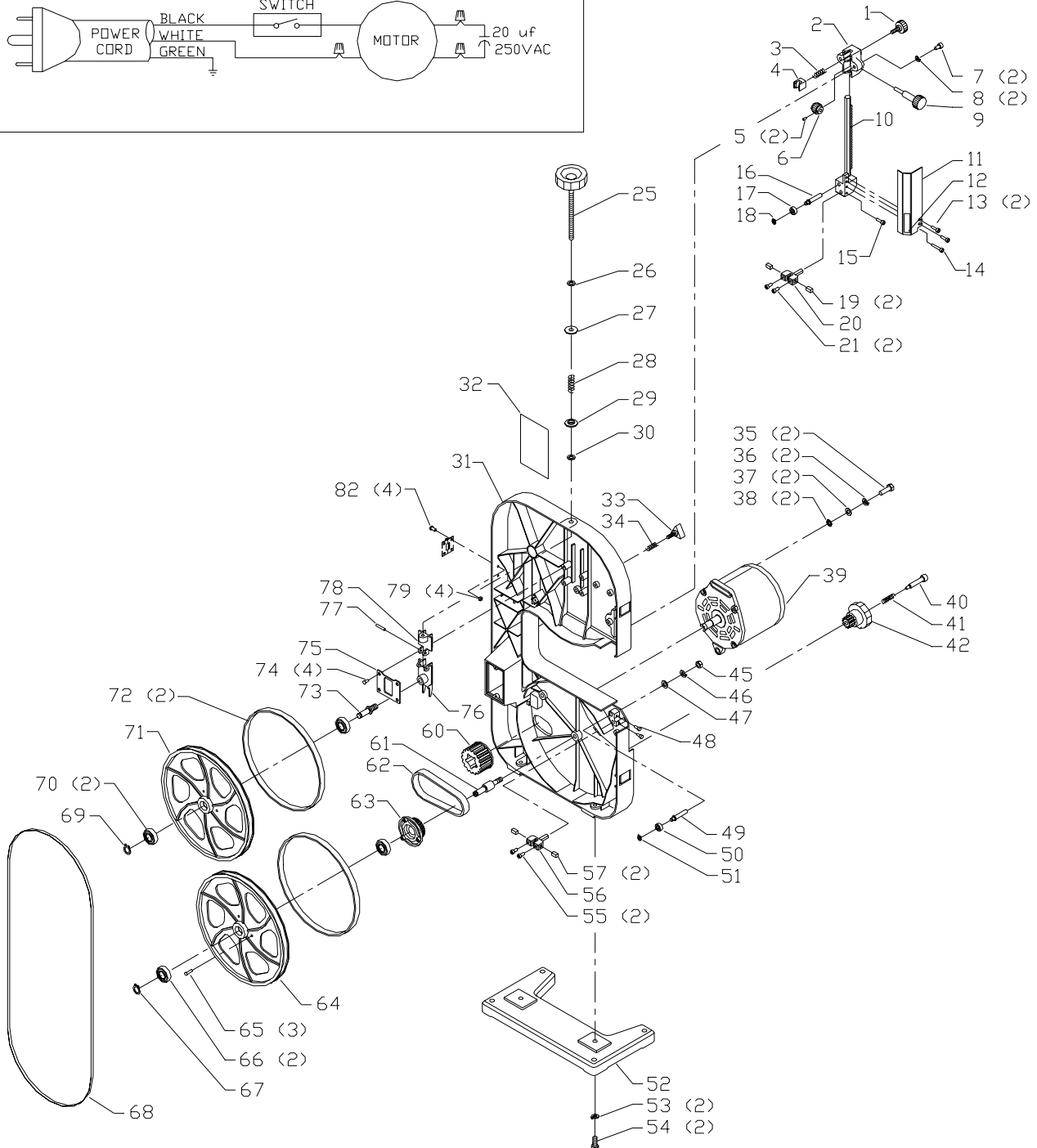
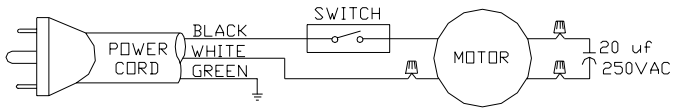
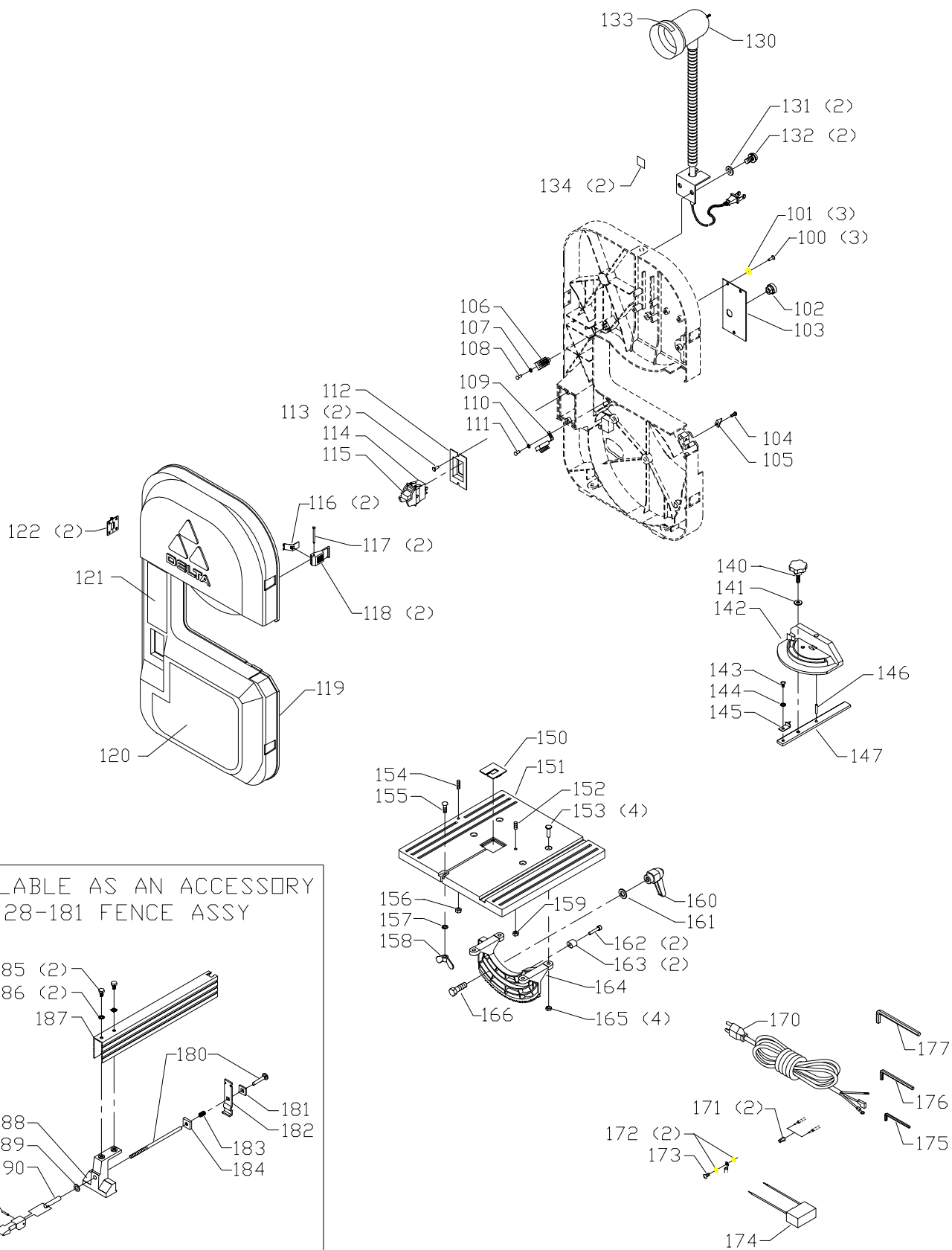


WIRING DIAGRAM



REPLACEMENT PARTS

Ref.			Ref.		
<u>No.</u>	<u>Part No.</u>	<u>Description</u>	<u>No.</u>	<u>Part No.</u>	<u>Description</u>
1	1320600	KNOB W/STUD	40	1341604	SPECIAL SCREW
2	1346500	HOUSING	41	1341605	SPRING
3	1346503	SPRING	42	900194	PINION KNOB ,T2
4	1346502	CLAMP		1341606	PINION KNOB ,T1
5	1347512	#06-32 X 3/8" HEX SOC SET SCREW	45	1243398	M8 HEX NUT
6	1346501	PINION	46	1246157	M8.1 LOCK WASHER
7	1246004	M6 X 16MM HEX SOC HD SCREW	47	1340637	M8.4 FLAT WASHER
8	1243520	M6.1 LOCK WASHER	48	1340243	M4 X 10MM HEX SOC HD SCREW
9	1346504	KNOB	49	1345032	SHAFT
10	1346505	UPPER GUIDE	50	1320108	THRUST BEARING
11	900190	BLADE GUARD ,T2	51	1320165	EXT RET RING
	1345031	BLADE GUARD ,T1	52	1341609	BASE
12	900074	WARNING LABEL ,T2	53	1246157	M8.1 LOCK WASHER
	1343567	WARNING LABEL ,T1	54	1246034	M8 X 20MM HEX HD SCREW
13	1340243	M4 X 10MM HEX SOC HD SCREW	55	1340243	M4 X 10MM HEX SOC HD SCREW
14	1246095	M4 X 16MM HEX SOC HD SCREW	56	1341608	BLADE GUIDE BRACKET
15	1340243	M4 X 10MM HEX SOC HD SCREW	57	1341607	GUIDE
16	1345032	SHAFT	60	1341596	MOTOR PULLEY
17	1320108	THRUST BEARING	61	1341593	SHAFT
18	1320165	EXT RET RING	62	1341594	BELT (XL130)
19	1341607	GUIDE	63	1341595	WHEEL PULLEY
20	1341608	BLADE GUIDE BRACKET	64	1341589	LOWER WHEEL
21	1340243	M4 X 10MM HEX SOC HD SCREW	65	1246164	M4.2 13MM PAN HD SCREW
25	900191	KNOB ASSEMBLY ,T2	66	1341072	BALL BEARING
	1341600	KNOB ASSEMBLY ,T1	67	1320166	EXT RET RING
26	1346618	M8.4 NYLON WASHER	68	OPTIONAL	BLADE
27	1341601	SPRING RETAINER	69	1320166	EXT RET RING
28	1345019	SPRING	70	1341072	BALL BEARING
29	1341601	SPRING RETAINER	71	1341590	UPPER WHEEL
30	1346618	M8.4 NYLON WASHER	72	1341591	TIRE
31	900193	FRAME ,T2	73	1341592	SHAFT
	1341602	FRAME ,T1	74	1246045	M6 X 10MM CHEESE HD SCREW
32	900072	TENSION LABEL ,T2	75	1341599	PLATE
	1343721	TENSION LABEL ,T1	76	1341598	SUPPORT BRACKET
33	900192	KNOB W/STUD ,T2	77	1330261	M4 X 26MM SPRING PIN
	1345028	KNOB W/STUD ,T1	78	1341597	TENSION BRACKET
34	1345027	SPRING	79	1341624	M4 FLANGE NUT
35	1246016	M8 X 25MM HEX HD SCREW	82	1243501	M4 X 10MM CHEESE HD SCREW
36	1246157	M8.1 LOCK WASHER			
37	1243526	M8.4 FLAT WASHER			
38	904-03-020-1750	5/16" INT TOOTH WASHER			
39	1341603	MOTOR ASSEMBLY			



REPLACEMENT PARTS

Ref.	No.	Part No.	Description	Ref.	No.	Part No.	Description
	100	1342455	M5 X 10MM PAN HD SCREW		151	1341610	TABLE
	101	1343521	M5.3 INT TOOTH WASHER		152	1243549	M6 X 12MM HEX SOC SET SCREW
	102	1320131	STRAIN RELIEF		153	1344950	M6 X 20MM FLAT HD SCREW
	103	n 900575	PLATE ,T2		154	1344953	M6 X 20MM HEX SOC SET SCREW
		1341615	PLATE ,T1		155	1246090	M6 X 30MM CHEESE HD SCREW
	104	1342455	M5 X 10MM PAN HD SCREW		156	1243456	M6 HEX NUT
	105	1341616	POINTER		157	1310062	M6.4 FLAT WASHER
	106	1341617	BRUSH (UPPER)		158	1313281	M6 WING NUT
	107	1343545	M4.1 FLAT WASHER		159	1243456	M6 HEX NUT
	108	1310159	M4 X 6MM PAN HD SCREW		160	900199	LEVER ASSEMBLY ,T2
	109	1341618	BRUSH (LOWER)			1341611	LEVER ASSEMBLY ,T1
	110	1343545	M4.1 FLAT WASHER		161	1243502	M10 FLAT WASHER
	111	1243501	M4 X 10MM CHEESE HD SCREW		162	1246050	M5 X 25MM HEX SOC HD SCREW
	112	1341619	SWITCH PLATE		163	1341612	GLIDE
	113	1340490	M4 X 8MM CHEESE HD SCREW		164	900240	TRUNNION ,T2
	114	1343759	SWITCH, INCL:			1341613	TRUNNION ,T1
	115	400-06-068-0002	SWITCH KEY		165	1243456	M6 HEX NUT
	116	1341586	SPRING PLATE		166	1341578	SPECIAL SCREW
	117	1341587	PIN		170	1341620	POWER CORD
	118	1341588	LATCH		171	1341621	WIRE NUT
	119	900195	COVER ,T2, INCL:		172	1343521	M5.3 INT TOOTH WASHER
		1341585	COVER ,T1, INCL:		173	1243394	M5 X 10MM CHEESE HD SCREW
	120	1343717	NAMEPLATE		174	1341622	CAPACITOR (20UF)
	121	900078	WARNING LABEL ,T2		175	428-06-101-0002	3MM HEX WRENCH
		1343719	WARNING LABEL ,T1		176	422-29-101-0002	4MM HEX WRENCH
	122	1346507	HINGE		177	428-07-101-0002	6MM HEX WRENCH
	130	1348937	LIGHT ASSY, INCL:		178	900076	DEC. PLATE
	131	904-03-020-1667	1/4" INT TOOTH WASHER				ACCESSORIES: (Optional)
	132	1246002	M6 X 12MM CHEESE HD SCREW				
	133	1349968	WARNING LABEL				
	134	1348946	LIGHT CORD CLAMP		*	28-181	FENCE ASSY, CONST OF:
	*	1341584	MITER GAGE ASSY, CONST OF:		180	1345052	ROD
	140	900217	KNOB ,T2		181	1345072	SUPPORT PLATE
		1341577	KNOB ,T1		182	1345056	CLAMP
	141	904-01-010-1604	5/16" FLAT WASHER		183	1345054	SPRING
	142	1341576	BODY		184	1345053	BLOCK
	143	1246088	M5 X 6MM CHEESE HD SCREW		185	1341951	M6 X 10MM HEX HD SCREW
	144	904-01-010-1603	1/4" FLAT WASHER		186	1243520	M6.1 LOCK WASHER
	145	1341574	POINTER		187	1345050	FENCE
	146	1341575	PIN		188	1345049	FENCE BODY
	147	1341573	BAR		189	1243526	M8.4 FLAT WASHER
	150	900198	INSERT ,T2		190	1345048	ADJ SCREW
		1345055	INSFRT T1		191	1246119	M3 X 16MM SPRING PIN
					192	1345047	LEVER

STANDARD SAFETY EQUIPMENT

In order to promote tool safety, Delta Machinery strictly enforces the policy of repairing or replacing any damaged or missing standard safety equipment on machines presented to Delta Authorized Service Centers for service/repairs. Any product which is presented to a Delta Authorized Service Centers for repairs which contains missing or damaged standard safety equipment will have that equipment repaired or replaced and the customer will be charged for any such service/repairs. Customers can avoid such charges only if the missing safety component is supplied to the service center at the time of repair.

This parts list is provided to aid in obtaining service parts. Copies of the instruction and maintenance literature can be obtained through the Delta Technical Publications Department or through your service outlet.