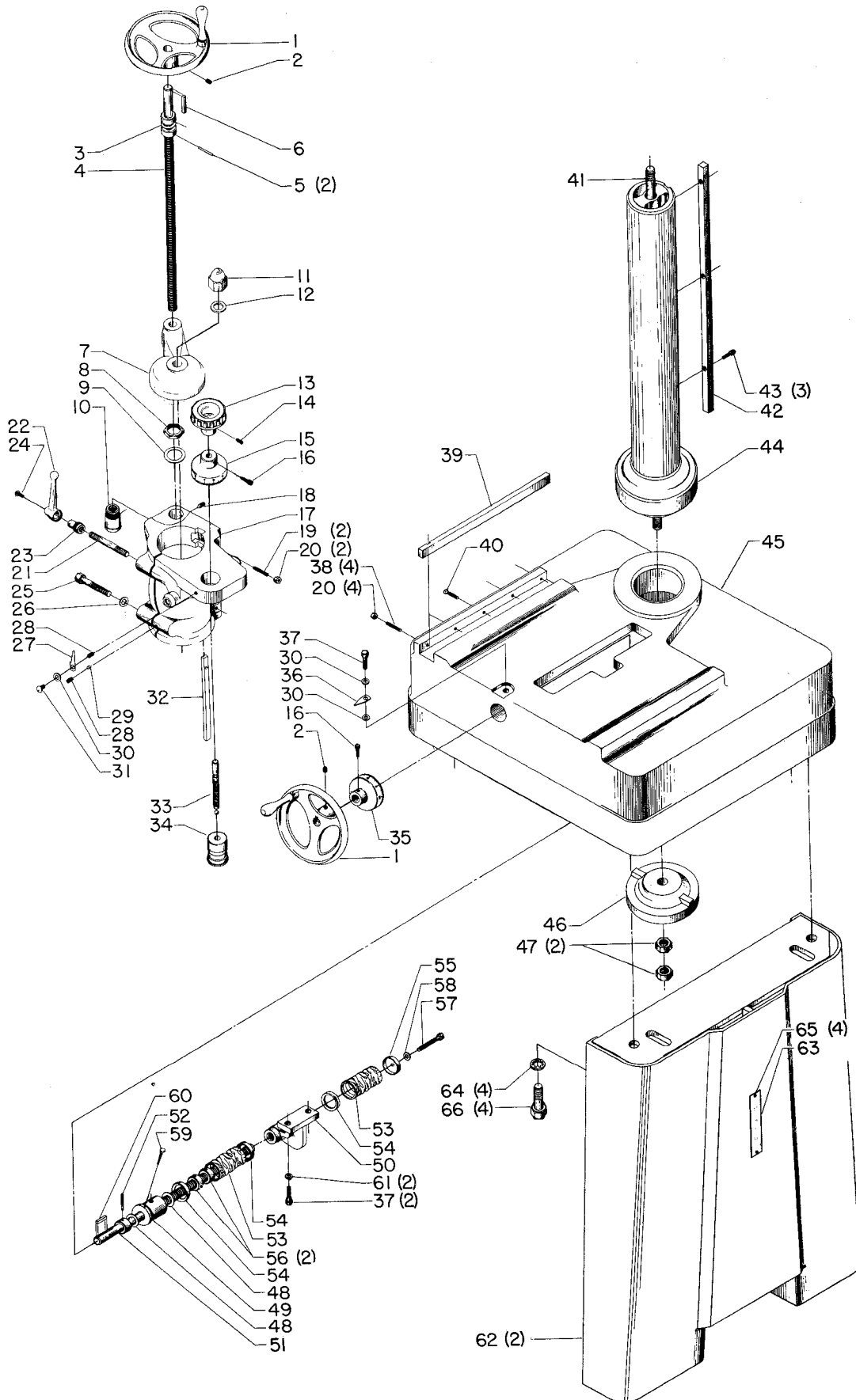


DELTA 24-105 SURFACE GRINDER (OLD STYLE)

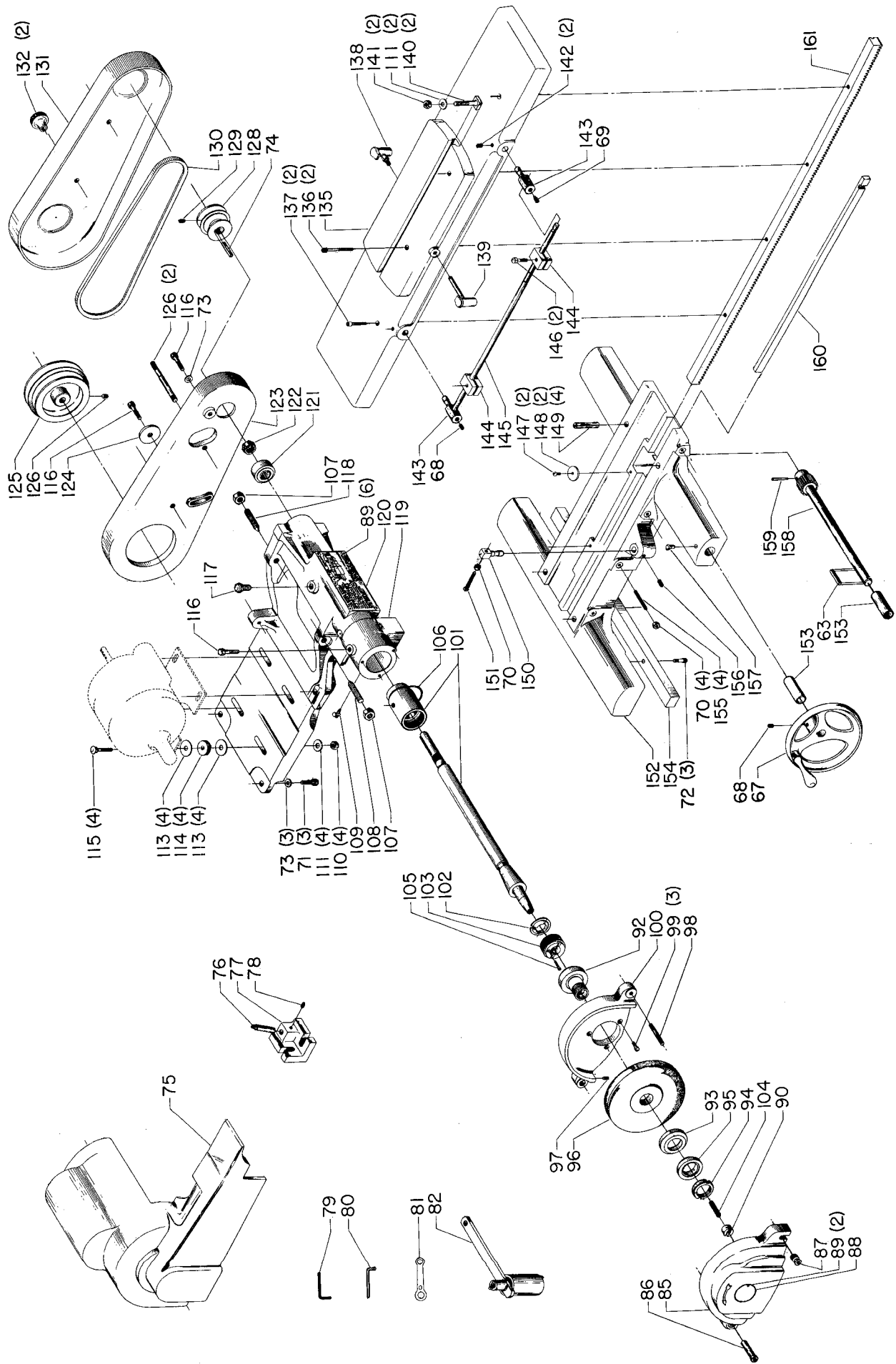
G-5

REVISED 1-1-85



Replacement Parts

| Ref. No. | Part No. | Description | Ref. No. | Part No. | Description |
|----------|-----------------|-------------------------------------|----------|---------------------|-----------------------------------|
| 1 | 930-03-991-3524 | Handwheel, Incl: | 37 | 901-01-060-0649 | 5/16-18 X 1" Hex Hd. Cap Scr. |
| 2 | 901-04-190-0201 | 5/16-18 X 5/16" Soc. Hd. Set Scr. | 38 | 901-04-080-0109 | 1/4-20 X 1-1/4" Headless Set Scr. |
| 3 | 904-07-010-5565 | Fiber Washer | 39 | 408-01-052-5002 | Cross Slide Gib |
| 4 | Cannot Furnish | Raising Screw w/Collar, Incl: | 40 | 901-04-020-0305 | 1/4-20 X 1" Sq. Hd. Set Scr. |
| 5 | 905-03-010-2420 | #2 X 1-1/4" Taper Pin | 41 | Cannot Furnish | Column Stud |
| 6 | 927-03-010-2655 | 3/16 X 3/16 X 7/8" Key | 42 | 408-01-055-5003 | Guide |
| 7 | 408-01-020-5001 | Column Cap | 43 | 901-03-010-0755 | 1/4-20 X 3/4" Hex Soc. Cap Scr. |
| 8 | 902-07-010-7170 | Nut | 44 | Cannot Furnish | Column |
| 9 | 904-01-021-3556 | Steel Washer | 45 | Cannot Furnish | Base |
| 10 | 408-01-017-5004 | Raising Nut | 46 | Cannot Furnish | Flange |
| 11 | 902-09-040-5908 | 3/4"-10 Hex Nut | 47 | 902-01-110-1008 | 3/4"-10 Hex Jam Nut |
| 12 | 904-01-031-4954 | Steel Washer | * | Cannot Furnish | Cross Feed Scr., Const. Of; |
| 13 | 931-02-030-3648 | Hand Knob | 48 | 904-07-010-5565 | Fiber Washer |
| 14 | 901-04-150-0202 | 1/4-20 X 1/2" Headless Set Scr. | 49 | 408-01-017-5003 | Bushing |
| 15 | 408-01-037-5002 | Micrometer Dial | 50 | 408-01-017-5008 | Bushing |
| 16 | 901-04-330-7609 | Knurled Head Set Scr. | 51 | Cannot Furnish | Cross Feed Scr. w/Collar, Incl: |
| 17 | 408-01-014-5007 | Bracket | 52 | 905-03-010-2420 | #2 X 1-1/4" Taper Pin |
| 18 | 901-04-170-0213 | 5/16-18 X 1/2" Soc. Hd. Set Scr. | 53 | Cannot Furnish | Spring w/Cover |
| 19 | 901-04-080-0109 | 1/4-20 X 1-1/2" Headless Set Scr. | 54 | 904-10-301-5966 | Cup Washer |
| 20 | 902-01-120-1034 | 1/4"-20 Hex Nut | 55 | 904-10-301-5967 | Cup Washer |
| 21 | 901-07-261-4729 | Stud | 56 | 408-01-079-5005 | Retainer |
| 22 | 931-04-010-3635 | Handle | 57 | 901-01-060-0635 | 5/16-18 X 2" Hex Hd. Cap Scr. |
| 23 | 432-01-027-0001 | Serrated Nut | 58 | 904-01-010-1620 | 11/32 X 11/16 X 1/16" Stl. Washer |
| 24 | 901-02-120-7528 | 1/4-20 X 1/2" Truss Hd. Scr. | 59 | 907-00-990-7117 | Oiler |
| 25 | 901-01-060-3109 | 1/2-13 X 2-1/2" Hex Hd. Cap Scr. | 60 | 927-03-010-2650 | 3/16 X 3/16 X 1-3/8" Key |
| 26 | 904-01-031-2905 | Steel Washer | 61 | 904-02-010-1703 | 5/16" Lockwasher |
| 27 | 951-01-011-4337 | Pointer | 62 | 50-399 | Pair of Legs, Incl: |
| 28 | 901-04-150-0231 | 5/16-18 X 3/8" Soc. Hd. Set Scr. | 63 | Cannot Furnish | Nameplate |
| 29 | 408-01-074-5003 | Plug | 64 | 904-03-020-1753 | 3/4" Internal Tooth Lockwasher |
| 30 | 904-01-031-2926 | Steel Washer | 65 | 901-06-450-2250 | #4 X 3/16" Drive Screw |
| 31 | 901-02-010-0520 | 5/16-18 X 3/8" Rd. Hd. Machine Scr. | 66 | 901-01-060-5479 | 3/4-10 X 1-1/4" Hex Hd. Cap Scr. |
| 32 | 408-01-052-5001 | Gib | * | 24-812 | 1/2 Pint Spindle Oil |
| 33 | 408-01-412-5006 | Micrometer Screw | * | 25-857 | Lamp Attachment |
| 34 | 408-01-017-5001 | Bushing | | | |
| 35 | 408-01-037-5001 | Micrometer Dial | * | NOT SHOWN ASSEMBLED | |
| 36 | 434-03-075-5001 | Pointer | ** | NOT SHOWN | |



Replacement Parts

| Ref. No. | Part No. | Description | Ref. No. | Part No. | Description |
|----------|-----------------|-----------------------------------|----------|-----------------|------------------------------------|
| 67 | 930-03-991-3524 | Hand Wheel, Incl: | 115 | 901-11-020-0806 | 5/16-18 X 1-1/2" Carriage Bolt |
| 68 | 901-04-190-0201 | 5/16-18 X 5/16" Soc. Hd. Set Scr. | 116 | 901-01-060-0602 | 5/16-18 X 1-1/4" Hex Hd. Cap Scr. |
| 69 | 901-04-170-0213 | 5/16-18 X 1/2" Soc. Hd. Set Scr. | 117 | 901-09-061-6101 | Micro Screw Button |
| 70 | 902-01-120-1034 | 1/4"-20 Hex Nut | 118 | 408-01-042-5002 | Eccentric Swivel Screw |
| 71 | 901-01-060-0649 | 5/16-18 X 1" Hex Hd. Cap Scr. | 119 | 408-01-058-5002 | Motor Bracket |
| 72 | 901-03-010-0755 | 1/4-20 X 3/4" Hex Soc. Cap Scr. | 120 | 960-02-010-1864 | Instruction Plate |
| 73 | 904-01-010-1620 | 11/32 X 11/16 X 1/16" Stl. Washer | 121 | 920-08-020-5346 | Bearing |
| 74 | 927-03-010-2750 | 3/16 X 3/16 X 1-3/8" Key | 122 | 902-01-201-5459 | Bearing Nut |
| 75 | Cannot Furnish | Motor Cover | 123 | 408-01-054-5006 | Rear Belt Guard |
| 76 | Cannot Furnish | Diamond Wheel Dresser | 124 | 904-01-031-4956 | Steel Washer |
| 77 | 408-01-060-5001 | Diamond Holder | 125 | 926-02-161-5845 | Pulley |
| 78 | 901-04-150-0208 | 1/4-20 X 1/4" Soc. Hd. Set Scr. | 126 | 901-04-190-0201 | 5/16-18 X 5/16" Soc. Hd. Set Scr. |
| 79 | Cannot Furnish | 5/32" Hex Wrench | 127 | Cannot Furnish | Stud |
| 80 | Cannot Furnish | 1/8" Hex Wrench | 128 | 926-02-991-5848 | Spindle Pulley, Incl: |
| 81 | 40-526 | Double End Hex Box Wrench | 129 | 901-04-190-0201 | 5/16-18 X 5/16" Soc. Hd. Set Scr. |
| 82 | 955-01-990-1480 | Wrench | 130 | 49-115 | V-Belt |
| 85 | Cannot Furnish | Front Wheel Guard | 131 | Cannot Furnish | Belt Guard Cover |
| 86 | 408-01-106-5007 | Swivel Pin | 132 | 931-02-031-3532 | Hand Knob |
| 87 | 902-08-041-3064 | Knurled Nut | 135 | Cannot Furnish | Longitudinal Slide |
| 88 | Nameplate | By Request Only | 136 | 901-03-010-0221 | 1/4-20 X 2-1/4" Soc. Hd. Cap Scr. |
| 89 | 901-06-450-2252 | #2 X 3/16" Drive Screw | 137 | 901-03-010-0760 | 1/4-20 X 1-1/4" Hex Soc. Cap Sc r. |
| 90 | 408-01-079-5004 | Retainer | 138 | 907-00-000-2494 | Oil Cup |
| 92 | 24-816 | Wheel Adapter Incl: | 139 | Cannot Furnish | Oil Cup |
| 93 | 408-01-103-5002 | Flange | 140 | 901-11-511-2953 | "T" Bolt |
| 94 | 408-01-079-5003 | Retainer | 141 | 902-01-010-1207 | 3/8"-24 Hex Nut |
| 95 | 408-01-103-5003 | Flange | 142 | 901-04-150-0206 | 5/16-18 X 5/16" Soc. Hd. Set Scr. |
| 96 | Cannot Furnish | Wheel for Soft Materials | 143 | 408-01-060-5004 | Stop Rod Holder |
| 96 | Cannot Furnish | Wheel for Hard Materials | 144 | 408-01-088-5004 | Stop Rod Block |
| 97 | 901-04-080-0102 | 1/4-20 X 3/8" Headless Set Scr. | 145 | 408-01-108-5002 | Stop Rod |
| 98 | 408-01-112-5001 | Stud | 146 | 901-01-060-0603 | 1/4-20 X 7/8" Hex Hd. Cap Scr. |
| 99 | 901-02-050-0715 | 1/4-20 X 1/2" Fil. Hd. Scr. | 147 | 901-02-010-0561 | #10-32 X 3/8" Rd. Hd. Scr. |
| 100 | 408-01-054-5002 | Rear Wheel Guard | 148 | 904-01-031-5715 | Washer |
| 101 | 408-01-317-5002 | Spindle & Bearing, Incl: (See A) | 149 | 402-01-099-0002 | Wick |
| 102 | Cannot Furnish | Spacer | 150 | 408-01-088-5001 | Center Stop |
| 103 | 408-01-079-5001 | Retainer | 151 | 901-04-020-0311 | 1/4-20 X 1-1/2" Sq. Hd. Set Scr. |
| 104 | 901-04-190-0214 | 3/8-16 X 1-1/4" Soc. Hd. Set Scr. | 152 | Cannot Furnish | Cross Slide, Incl: |
| 105 | 901-03-010-0759 | #8-32 X 5/8" Hex Soc. Cap Scr. | 153 | 920-75-011-2804 | Bushing |
| 106 | Cannot Furnish | Slinger Ring | 154 | 408-01-055-5001 | Guide |
| 107 | 902-01-020-1266 | 1/2"-13 Hex Jam Nut | 155 | 901-04-080-0116 | 1/4-20 X 1-3/4" Headless Set Scr. |
| 108 | 901-04-530-6149 | Swivel Screw | 156 | 901-04-150-0106 | 5/16-18 X 1/2" Headless Set Scr. |
| 109 | Cannot Furnish | Oiler | 157 | 907-00-000-2475 | Oiler |
| 110 | 902-01-010-1300 | 5/16"-18 Hex Nut | 158 | Cannot Furnish | Shaft w/Gear, Incl: |
| 111 | 904-01-010-1605 | 3/8 X 7/8 X 1/16" Steel Washer | 159 | 905-03-010-2420 | #2 X 1-1/4" Taper Pin |
| 113 | 904-01-031-2946 | Special Washer | 160 | 408-01-052-5004 | Gib |
| 114 | 904-08-031-6201 | Felt Washer | 161 | 408-01-051-5002 | Rack |

SERVICE NOTES:

A. - Spindle and Spindle Bearing are not sold separately. They are run in at the factory and sold as a unit.