

# REPLACEMENT PARTS

REF. NO.	PART NUMBER	DESCRIPTION	REF. NO.	PART NUMBER	DESCRIPTION
1	412-10-031-5001	GUARD COVER	35	412-08-112-5001	TIE BOLT
2	901-01-060-0612	1/4-20 X 5/8" HEX HD SCR	36	961-01-010-7460	BUTTON
3	412-10-079-5002	HEX NUT (LH)	37	412-09-005-5001	BASE
4	412-10-103-5001	OUTSIDE FLANGE	38	438-01-017-0144	SWITCH ASSY
5	412-10-103-5002	INSIDE FLANGE	39	438-01-021-0044	ON/OFF PLATE
6	901-01-060-0626	1/4-20 X 3/4" HEX HD SCR	40	901-02-030-0401	1/4-20 X 1/2" FLAT HD SCR (FOR USE WITH 115/230V SINGLE PHASE MODELS ONLY)
7	412-10-089-5001	TOOL REST (LH)			
8	901-01-060-3080	7/16-14 X 1 1/2" HEX HD SCR	41	438-01-029-0009	CAPACITOR (FOR USE WITH 115/230V SINGLE PHASE MODELS ONLY)
9	904-01-010-1607	1/2" FLAT WASHER			
10	412-10-014-5001	TOOL REST ARM	42	412-08-014-5002	CAPACITOR BRACKET (FOR USE WITH 115/230V SINGLE PHASE MODELS ONLY)
11	901-01-060-0614	1/4-20 X 1 1/4" HEX HD SCR			
12	412-10-054-5001	GUARD (LH)	43	904-01-010-1605	3/8" FLAT WASHER
13	902-04-010-1402	1/4-20 WING NUT	44	901-01-060-0607	5/16-18 X 3/4" HEX HD SCR
14	904-03-020-1667	1/4" INT TOOTH WASHER	45	412-09-072-5001	BASE PLATE
15	412-07-079-5001	EYESHIELD CLIP	46	901-01-060-0605	5/16-18 X 1/2" HEX HD SCR
16	412-10-036-5001	SPARK BREAKER	47	438-01-302-0004	POWER CORD (FOR USE WITH 115/230V SINGLE PHASE MODELS ONLY)
17	904-01-010-1607	1/2" FLAT WASHER			
18	901-01-060-0610	7/16-14 X 3/4" HEX HD SCR	48	438-01-004-0007	CORD CLAMP (FOR USE WITH 115/230V SINGLE PHASE MODELS ONLY)
19	901-06-110-3002	#08-32 X 3/8" ROUND HD SCR			
20	412-10-001-5001	ADAPTOR	49	904-03-020-1654	INT TOOTH WASHER
21	412-10-054-5002	GUARD (RH)	50	901-02-010-0555	#08-32 X 3/8" ROUND HD SCR
22	412-10-089-5002	TOOL REST (RH)	55	412-08-049-5001	EYESHIELD FRAME
23	902-01-100-1027	3/4-10 HEX NUT	56	412-08-053-5001	PLEXIGLASS LENS
25	902-01-120-1216	#10-24 HEX NUT			
26	412-10-020-5001	END BELL			
27	412-09-122-5001	BEARING SPRING			
28	920-04-010-7266	BALL BEARING			
29	438-01-017-0149	STATIONARY SWMTH (FOR USE WITH 115/230V, SINGLE PHASE MODELS ONLY)			
30	438-01-017-0150	ROTARY SWITCH (FOR USE WITH 115/230V, SINGLE PHASE MODELS ONLY, SEE NOTE A)			
31	901-06-131-7359	#06-32 X 1/4" PAN HD SCR			
32	438-02-035-0006	ROTOR (1HP, SINGLE PHASE MODELS ONLY, SEE NOTE A)			
32	438-02-035-0007	ROTOR (1-1/2HP, THREE PHASE MODELS ONLY)			
33	412-00-752-0001	WARNING LABEL			
34	438-02-036-0006	STATOR (1HP, SINGLE PHASE MODELS ONLY)			
34	438-02-036-0007	STATOR (1-1/2HP, THREE PHASE MODELS ONLY)			

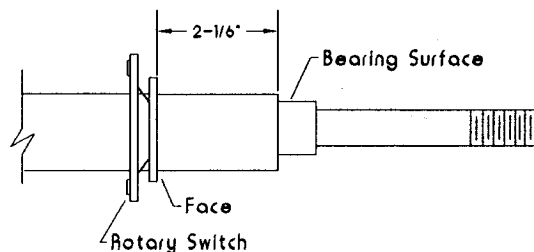
## AVAILABLE AS AN ACCESSORY

*	23-035	SAFETY SHIELD, CONST OF:
65	901-01-060-0675	7/16-20 X 3" HEX HD SCR
66	904-01-031-2925	FLAT WASHER
67	438-01-004-0022	CLAMP PLATE
68	901-02-010-0555	#08-32 X 3/8" ROUND HD SCR
69	412-01-054-5006	GUARD
70	412-01-053-5001	SAFETY GLASS
71	412-01-079-5001	BOW SPRING
72	438-01-007-0013	WIRE NUT
73	438-01-004-0007	CORD CLAMP
74	438-01-302-0027	CABLE ASSY, INCL:
75	438-01-007-0009	WIRE NUT
76	412-01-331-5002	SOCKET ASSY
77	901-02-010-0592	#08-32 X 1 1/4" ROUND HD SCR
78	23-280	BULB

\* NOT SHOWN ASSEMBLED

### SERVICE NOTE:

A - Replacement of the rotary switch should be done as per the illustration below. Although the face of the switch may be slightly crooked this will not affect the operation of the unit as long as the face makes contact with the stationary switch. A visual check for contact can be made at the time of assembly to assure proper function.



DISTANCE FROM FACE OF ROTARY SWITCH TO BEARING SHOULDER

# REPLACEMENT PARTS

REF. NO.	PART NUMBER	DESCRIPTION
*	23-919	PEDESTAL ASSY, (CMO, NOT FURNISHED WITH BENCH MODELS), CONST OF:
101	1349797	STARTER ASSY (SEE NOTE B, CMO)
102	901-06-110-3036	1/4-20 X 3/8" ROUND HD SCR (CMO)
103	904-03-030-1757	1/4" EXT TOOTH WASHER (CMO)
104	23-804	PEDESTAL (CMO)
105	1349789	SWITCH ASSY (CMO)
106	901-02-051-2860	#08-32 X 1/4" FILL HD SCR (CMO)
107	901-06-110-3036	1/4-20 X 3/8" ROUND HD SCR (CMO)
108	904-03-030-1757	1/4" EXT TOOTH WASHER (CMO)
109	901-01-060-0602	5/16-18 X 1 1/4" HEX HD SCR (CMO)
110	904-01-031-2926	FLAT WASHER (CMO)
**	1349790	OVERLOAD RELAY (SEE NOTE B, CMO)

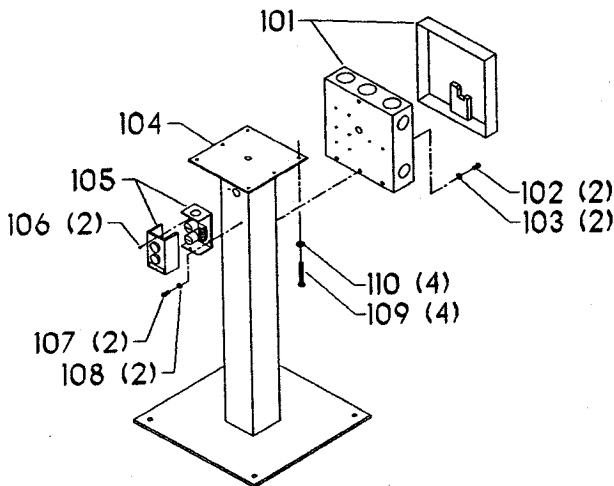
REF. NO.	PART NUMBER	DESCRIPTION
*	23-805	PEDESTAL ASSY, (EMO, NOT FURNISHED WITH BENCH MODELS), CONST OF:
120	901-01-060-0649	5/16-18 X 1" HEX HD SCR (EMO)
121	904-01-010-1620	FLAT WASHER (EMO)
122	904-02-010-1703	5/16" LOCK WASHER (EMO)
123	902-01-010-1300	5/16-18 HEX NUT (EMO)
124	402-04-031-5002	SWITCH OPENING COVER (EMO)
125	901-02-010-0553	#06-32 X 1/2" ROUND HD SCR (EMO)
126	412-01-370-5001	PEDESTAL (EMO)
127	901-01-060-0628	1/2-13 X 1" HEX HD SCR (EMO)
128	904-02-020-1705	1/2" LOCK WASHER (EMO)
129	412-01-005-5002	BASE (EMO)
130	904-01-010-1602	3/16" FLAT WASHER (EMO)
131	902-01-120-9232	#06-32 HEX NUT (EMO)
132	412-01-031-5008	COVER (EMO)
133	901-02-010-0509	1/4-20 X 1/2" ROUND HD SCR (EMO)

### SERVICE NOTE:

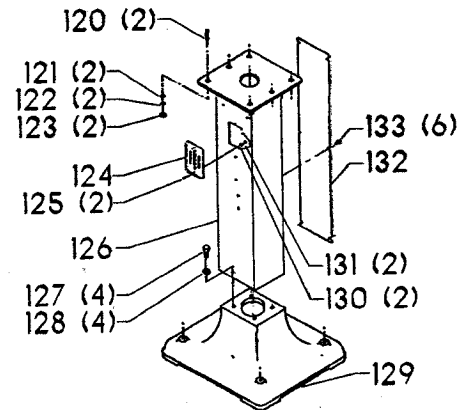
B - Part Number 1349797 (STARTER ASSY) does not include an overload relay. If an overload relay is needed, then order Part Number 1349790 (OVERLOAD RELAY)

\* NOT SHOWN ASSEMBLED  
\*\* NOT SHOWN

EMO = EARLY MODELS ONLY  
CMO = CURRENT MODELS ONLY



23-919 PEDESTAL  
CURRENT MODELS ONLY



23-805 PEDESTAL  
EARLY MODELS ONLY

### STANDARD SAFETY EQUIPMENT

In order to promote tool safety, Delta International Machinery Corp. strictly enforces the policy of repairing or replacing any damaged or missing standard safety equipment on machines presented to Delta Authorized Service Centers for service/repair. Any product which is presented to a Delta Authorized Service Center for repairs which contains missing or damaged standard safety equipment will have that equipment repaired or replaced and the customer will be charged for any such service/repairs. Customers can avoid such charges only if the missing safety component is supplied to the service center at the time of repair.

This parts list is provided to aid in obtaining service parts. Copies of the instruction and maintenance literature can be obtained through the Delta Technical Publications Department or through your local service outlet.