

REPLACEMENT PARTS

REF. NO.	PART NUMBER	DESCRIPTION	REF. NO.	PART NUMBER	DESCRIPTION
1	412-09-031-5001	GUARD COVER	39	438-01-021-0044	ON/OFF PLATE
2	901-06-121-7383	#10-24 X 3/8" PAN HD SCR	40	901-02-030-0401	1/4-20 X 1/2" FLAT HD SCR (FOR USE WITH 115V, SINGLE PHASE MODELS ONLY)
3	412-10-079-5002	HEX NUT (LH)			
4	412-10-103-5001	OUTSIDE FLANGE			
5	412-09-103-5001	WHEEL FLANGE	41	438-01-029-0009	CAPACITOR (FOR USE WITH 115V, SINGLE PHASE MODELS ONLY)
6	901-01-060-0612	1/4-20 X 5/8" HEX HD SCR	42	412-08-014-5002	CAPACITOR BRACKET (FOR USE WITH 115V, SINGLE PHASE MODELS ONLY)
7	901-01-060-0648	3/8-16 X 1 1/4" HEX HD SCR	43	904-01-010-1605	3/8" FLAT WASHER
8	901-11-020-0823	3/8-16 X 1 1/2" CARRIAGE HD SCR	44	901-01-060-0607	5/16-18 X 3/4" HEX HD SCR
9	412-09-089-5001	TOOL REST	45	412-09-072-5001	BASE PLATE
10	902-01-010-5900	3/8-16 JAM NUT	46	901-01-060-0605	5/16-18 X 1/2" HEX HD SCR
11	904-01-010-1606	3/8" FLAT WASHER	47	438-01-302-0004	POWER CORD (FOR USE WITH 115V, SINGLE PHASE MODELS ONLY)
12	412-08-014-5001	TOOL REST ARM	48	438-01-004-0007	CORD CLAMP (FOR USE WITH 115V, SINGLE PHASE MODELS ONLY)
13	412-09-054-5001	GUARD (LH)			
14	901-01-060-0612	1/4-20 X 5/8" HEX HD SCR	49	904-03-020-1654	INT TOOTH WASHER
15	412-07-079-5001	EYESHIELD CLIP	50	901-02-010-0555	#08-32 X 3/8" ROUND HD SCR
16	902-04-010-1402	1/4-20 WING NUT	51	412-08-049-5001	EYESHIELD FRAME
17	904-03-020-1667	1/4" INT TOOTH WASHER	52	412-08-053-5001	PLEXIGLASS LENS
18	412-08-036-5001	SPARK BREAKER			
19	904-01-010-1605	3/8" FLAT WASHER			
20	901-01-060-0605	5/16-18 X 1/2" HEX HD SCR			
21	901-06-110-3002	#08-32 X 3/8" ROUND HD SCR			
22	412-09-001-5001	ADAPTOR			
23	412-09-054-5002	GUARD (RH)			
24	902-01-100-1027	3/4-10 HEX NUT			
25	902-01-120-1216	#10-24 HEX NUT			
26	412-09-020-5001	END BELL			
27	412-09-122-5001	BEARING SPRING			
28	920-04-010-7266	BALL BEARING			
29	438-01-017-0148	STATIONARY SWITCH (FOR USE WITH 115V, SINGLE PHASE MODELS ONLY)			
30	438-01-017-0147	ROTARY SWITCH (FOR USE WITH 115V, SINGLE PHASE MODELS ONLY, SEE NOTE A)			
31	901-06-131-7359	#06-32 X 1/4" PAN HD SCR			
32	438-02-035-0005	ROTOR (3/4 HP, SEE NOTE A)			
33	412-00-752-0001	WARNING LABEL			
34	438-02-036-0004	STATOR (3/4 HP, SINGLE PHASE)			
34	438-02-036-0005	STATOR (3/4 HP, THREE PHASE)			
35	412-07-112-5001	TIE BOLT			
36	961-01-010-7460	BUTTON			
37	412-09-005-5001	BASE			
38	438-01-628-0005	SWITCH ASSY			

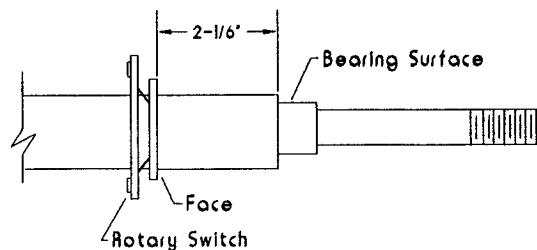
AVAILABLE AS AN ACCESSORY

*	23-035	SAFETY SHIELD, CONST OF:
65	901-01-060-0657	5/16-24 X 1/2" HEX HD SCR
66	904-01-031-2925	FLAT WASHER
67	438-01-004-0022	CLAMP PLATE
68	901-02-010-0555	#08-32 X 3/8" ROUND HD SCR
69	412-01-054-5006	GUARD
70	412-01-053-5001	SAFETY GLASS
71	412-01-079-5001	BOW SPRING
72	412-08-014-5003	BRACKET
73	902-01-010-1232	7/16-20 JAM NUT
74	904-02-010-1716	7/16" LOCK WASHER
75	438-01-007-0013	WIRE NUT
76	438-01-004-0007	CORD CLAMP
77	438-01-302-0027	CABLE ASSY, INCL:
78	438-01-007-0009	WIRE NUT
79	412-01-331-5002	SOCKET ASSY
80	901-02-010-0592	#08-32 X 1 1/4" ROUND HD SCR
81	23-280	BULB

* NOT SHOWN ASSEMBLED

SERVICE NOTE:

A - Replacement of the rotary switch should be done as per the illustration below. Although the face of the switch may be slightly crooked this will not affect the operation of the unit as long as the face makes contact with the stationary switch. A visual check for contact can be made at the time of assembly to assure proper function.



DISTANCE FROM FACE OF ROTARY SWITCH TO BEARING SHOULDER

REPLACEMENT PARTS

REF. NO.	PART NUMBER	DESCRIPTION
*	23-856	PEDESTAL ASSY, (CMO, NOT FURNISHED WITH BENCH MODELS), CONST OF:
101	1349797	STARTER ASSY (SEE NOTE B, CMO)
102	901-06-110-3036	1/4-20 X 3/8" ROUND HD SCR (CMO)
103	904-03-030-1757	1/4" EXT TOOTH WASHER (CMO)
104	23-804	PEDESTAL (CMO)
105	1349789	SWITCH ASSY (CMO)
106	901-02-051-2860	#08-32 X 1/4" FILL HD SCR (CMO)
107	901-06-110-3036	1/4-20 X 3/8" ROUND HD SCR (CMO)
108	904-03-030-1757	1/4" EXT TOOTH WASHER (CMO)
109	901-01-060-0602	5/16-18 X 1 1/4" HEX HD SCR (CMO)
110	904-01-031-2926	FLAT WASHER (CMO)
**	1349791	OVERLOAD RELAY (SEE NOTE B, CMO)

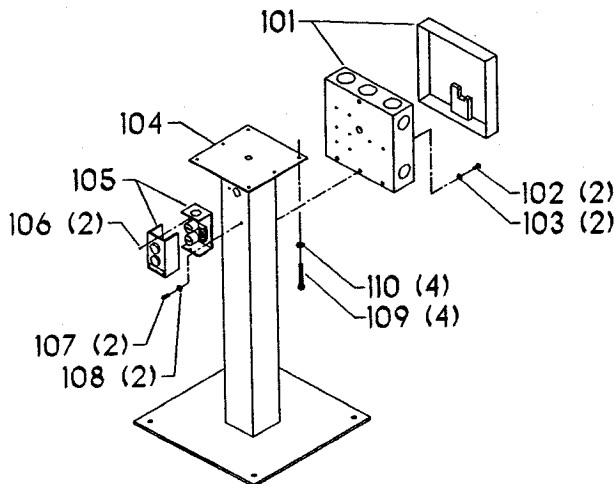
REF. NO.	PART NUMBER	DESCRIPTION
*	23-805	PEDESTAL ASSY, (EMO, NOT FURNISHED WITH BENCH MODELS), CONST OF:
120	901-01-060-0649	5/16-18 X 1" HEX HD SCR (EMO)
121	904-01-010-1620	FLAT WASHER (EMO)
122	904-02-010-1703	5/16" LOCK WASHER (EMO)
123	902-01-010-1300	5/16-18 HEX NUT (EMO)
124	402-04-031-5002	SWITCH OPENING COVER (EMO)
125	901-02-010-0553	#06-32 X 1/2" ROUND HD SCR (EMO)
126	412-01-370-5001	PEDESTAL (EMO)
127	901-01-060-0628	1/2-13 X 1" HEX HD SCR (EMO)
128	904-02-020-1705	1/2" LOCK WASHER (EMO)
129	412-01-005-5002	BASE (EMO)
130	904-01-010-1602	3/16" FLAT WASHER (EMO)
131	902-01-120-9232	#06-32 HEX NUT (EMO)
132	412-01-031-5008	COVER (EMO)
133	901-02-010-0509	1/4-20 X 1/2" ROUND HD SCR (EMO)

SERVICE NOTE:

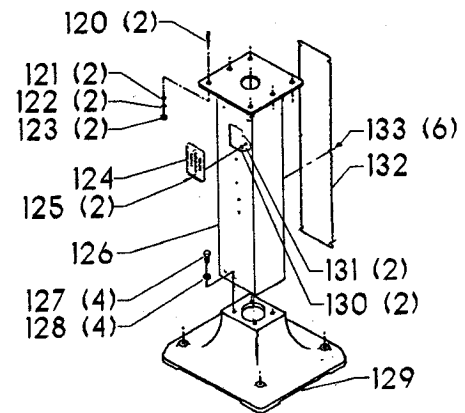
B - Part Number 1349797 (STARTER ASSY) does not include an overload relay. If an overload relay is needed, then order Part Number 1349791 (OVERLOAD RELAY)

* NOT SHOWN ASSEMBLED
** NOT SHOWN

EMO = EARLY MODELS ONLY
CMO = CURRENT MODELS ONLY



23-856 PEDESTAL
CURRENT MODELS ONLY



23-805 PEDESTAL
EARLY MODELS ONLY

STANDARD SAFETY EQUIPMENT

In order to promote tool safety, Delta International Machinery Corp. strictly enforces the policy of repairing or replacing any damaged or missing standard safety equipment on machines presented to Delta Authorized Service Centers for service/repair. Any product which is presented to a Delta Authorized Service Center for repairs which contains missing or damaged standard safety equipment will have that equipment repaired or replaced and the customer will be charged for any such service/repairs. Customers can avoid such charges only if the missing safety component is supplied to the service center at the time of repair.

This parts list is provided to aid in obtaining service parts. Copies of the instruction and maintenance literature can be obtained through the Delta Technical Publications Department or through your local service outlet.