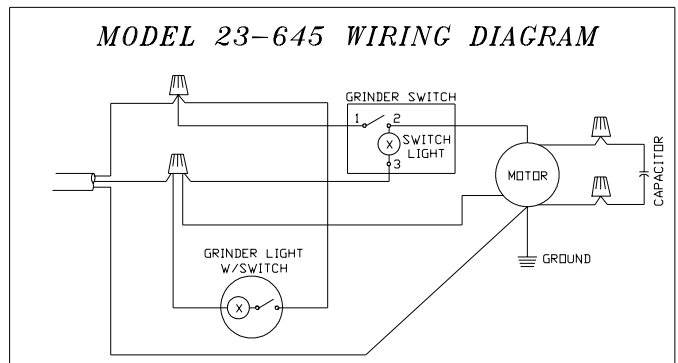
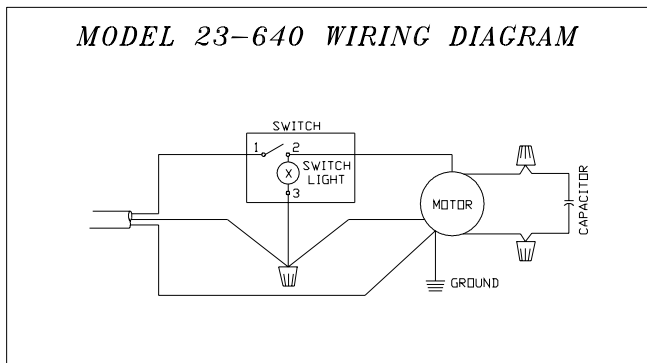


# REPLACEMENT PARTS

Ref. No.	Part No.	Description	Ref. No.	Part No.	Description
1	901-02-010-0525	#10-24 X 1/2" ROUND HD SCREW	43	1320201	FLANGE
2	1343847	EYESHIELD	44	23-683	6" GRIND WHEEL/36G
3	901-11-020-0821	1/4-20 X 3/4" CARRIAGE HD SCREW	45	1320201	FLANGE
4	1343846	FRAME	46	1320074	.50-12 LEFT HAND NUT
5	1320423	ROD	47	1320832	COVER
6	1320422	BRACKET	48	1320003	#10-24 X 1/4" TRUSS HD SCREW
7	904-02-010-1703	5/16" LOCK WASHER	49	901-01-060-0605	5/16-18 X 1/2" HEX HD SCREW
8	1343841	KNOB W/STUD	50	904-01-010-1605	FLAT WASHER, T2
9	n 904-01-010-1614	FLAT WASHER, T2		904-01-031-5655	FLAT WASHER, T1
	1320087	FLAT WASHER, T1	51	1320210	TOOL REST LH
10	902-01-120-1034	1/4-20 HEX NUT	52	1320155	GROMMET
11	902-01-120-1216	#10-24 HEX NUT	53	1349142	NAMEPLATE, 23-645, T1
12	1320087	FLAT WASHER	54	1341338	NAMEPLATE, 23-640, T1
15	1320003	#10-24 X 1/4" TRUSS HD SCREW	55	1320125	POWER CORD
16	1320832	COVER	56	1310057	STRAIN RELIEF, T2
17	1320075	.50-12 HEX NUT		1320130	STRAIN RELIEF, T1
18	1320201	FLANGE	57	1320005	#10-24 X 3/8" TRUSS HD SCREW
19	23-684	6IN GRIND WHEEL/60G	58	1320211	PLATE
20	1320201	FLANGE	59	1349964	LIGHT, 23-645, SEE NOTE A, INCL.:
21	1320831	GUARD RH, INCL.:	60	900843	WARNING LABEL, 23-645, T2
22	900839	ROTATION LABEL, T2		1349968	WARNING LABEL, 23-645, T1
	1340546	ROTATION LABEL, T1	61	900833	BASE, T2
23	1320005	#10-24 X 3/8" TRUSS HD SCREW		1349149	BASE, T1
24	904-02-020-1725	3/16" LOCK WASHER, T1	62	904-02-020-1702	1/4" LOCK WASHER
25	1320221	SPARK BREAKER	63	901-02-010-0511	1/4-20 X 7/8" ROUND HD SCREW
26	1320090	FLAT WASHER	64	1320216	BASE COVER, T2
27	1340609	1/4-20 X 1/4" HEX HD SCREW		1349147	BASE COVER, T1
28	1320220	TOOL REST RH	65	1320217	PAD
29	904-01-010-1605	FLAT WASHER, T2	66	1320087	FLAT WASHER
	904-01-031-5655	FLAT WASHER, T1	67	901-02-010-0525	#10-24 X 1/2" ROUND HD SCREW
30	901-01-060-0606	5/16-18 X 5/8" HEX HD SCREW	68	1320005	#10-24 X 3/8" TRUSS HD SCREW
31	900834	MOTOR ASSY.	69	1320101	(DIN 6797A) M5.3 EXT TOOTH WASHER
35	900835	WARNING LABEL, T2	70	1320141	COVER, T1, CF
	1349143	WARNING LABEL, T1	71	1349148	CAPACITOR
36	1340609	1/4-20 X 1/4" HEX HD SCREW	72	1320005	#10-24 X 3/8" TRUSS HD SCREW
37	1320090	FLAT WASHER	73	1320160	CLAMP
38	1320209	SPARK BREAKER	74	1320005	#10-24 X 3/8" TRUSS HD SCREW
39	900839	ROTATION LABEL, T2	75	1320101	(DIN 6797A) M5.3 EXT TOOTH WASHER
	1340546	ROTATION LABEL, T1	76	1320151	SWITCH
40	1320830	GUARD LH	77	1320003	#10-24 X 1/4" TRUSS HD SCREW
41	904-02-020-1725	3/16" LOCK WASHER, T1	78	1320219	PLATE
42	1320005	#10-24 X 3/8" TRUSS HD SCREW	79	n 901292	HARDWARE PACK

**NOTE A:** A LIGHT BULB IS NOT INCLUDED IN ITEM 59 LAMP ASSY



## STANDARD SAFETY EQUIPMENT

In order to promote tool safety, Delta Machinery strictly enforces the policy of repairing or replacing any damaged or missing standard safety equipment on machines presented to Delta Authorized Service Centers for service/repairs. Any product that is presented to a Delta Authorized Service Center for repair with damaged or missing standard safety equipment will have that equipment repaired or replaced and the customer will be charged for any such service/repairs. Customers can avoid such charges only if the missing safety component is supplied to the service center at the time of repair.

This parts list is provided to aid in obtaining service parts. Copies of the instruction and maintenance literature can be obtained through the Delta Technical Publications Department, your service outlet, or by visiting the Delta Website @ [www.deltamachinery.com](http://www.deltamachinery.com).