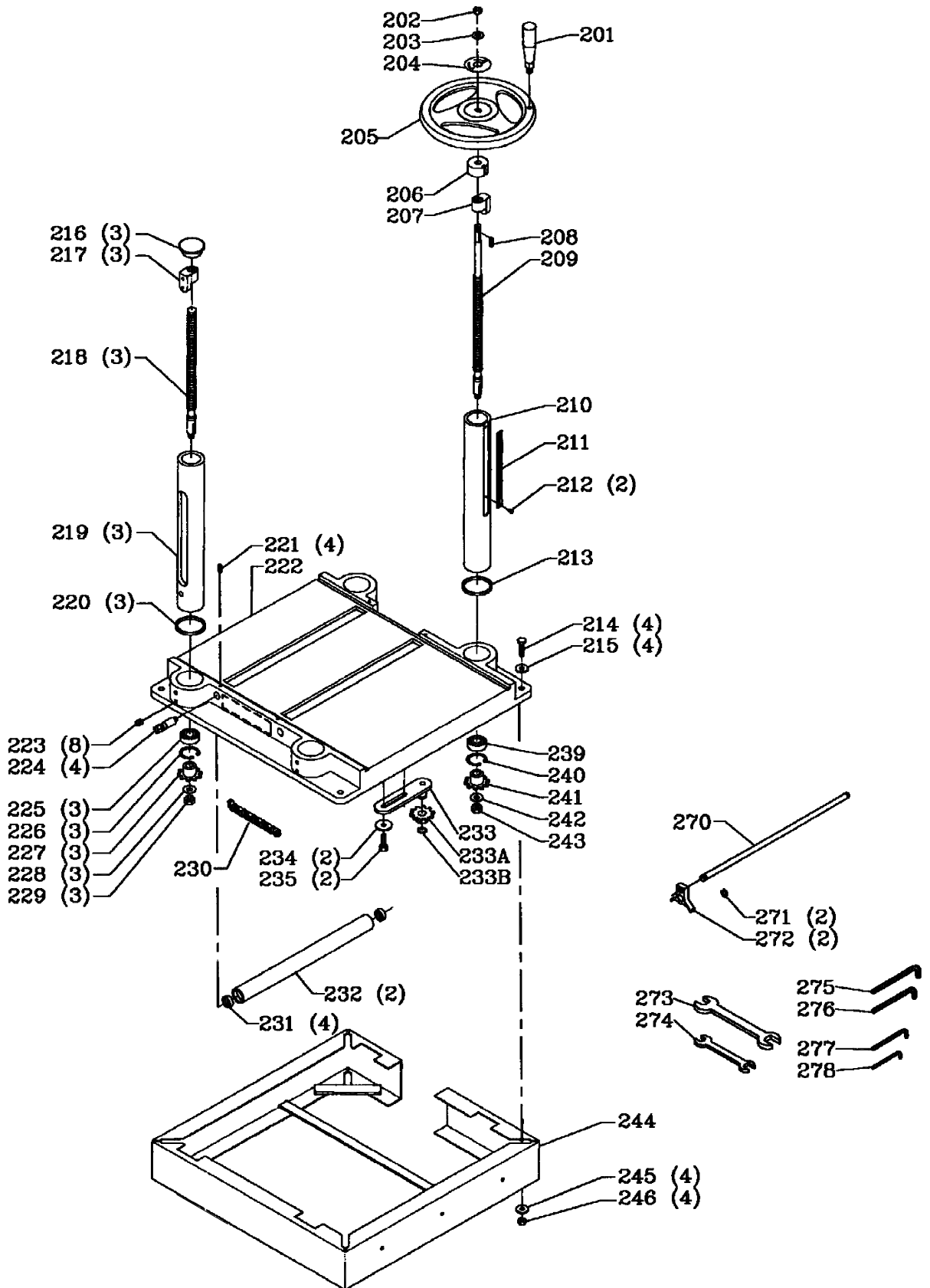


REPLACEMENT PARTS

Ref.			Ref.		
<u>No.</u>	<u>Part No.</u>	<u>Description</u>	<u>No.</u>	<u>Part No.</u>	<u>Description</u>
1	1346723	M6 X 16MM HEX FLANGE SCREW	68	1349339	OUTFEED ROLLER
1A	1349438	WARNING LABEL	69	1349337	KEY
1B	1349443	WARNING LABEL	70	1349336	ROLLER BUSHING
2	1330682	CLAMP	71	1330660	SPRING
3	1349385	SEAL	72	1349335	FEED SPROCKET
4	911029	UPPER COVER	73	1246014	M6 X 15MM HEX HD SCREW
5	1246084	M6 X 18MM HEX SOC SET SCREW	74	1246140	M6.4 FLAT WASHER
6	1243456	M6 HEX NUT	80	1246028	EXT RET RING
7	1349370	CHIP BREAKER	81	1349345	COLLAR
8	1349387	KEY	82	1349346	ANTI-KICKBACK FINGER
9	1346436	MOTOR ASSY	83	1349347	SHAFT
10	1349364	SWITCH BOX	88	1349336	ROLLER BUSHING
11	1349365	CLAMP	89	1330660	SPRING
12	1340406	M4.2 X 10MM PAN HD SCREW	90	1330048	M6 X 20MM HEX SOC SET SCREW
13	1340406	M4.2 X 10MM PAN HD SCREW	90A	1330200	M8 X 12MM HEX SOC SET SCREW
13A	1349439	FEATURE LABEL	91	1342000	M6 X 8MM FLAT HD SCREW
13B	904-03-030-1795	3/16" EXT TOOTH WASHER	92	1349338	LIMITER PLATE
14	1340095	1 PH MANUAL SWITCH	93	1342000	M6 X 8MM FLAT HD SCREW
15	402-07-104-5007	SPACER	94	1349348	INFEED ROLLER
15A	902-01-120-9232	#06-32 HEX NUT	95	1349337	KEY
15B	904-03-030-1788	EXT TOOTH WASHER	96	911028	ROLLER BUSHING
15C	901-06-143-1327	#06-32 X 5/16" PAN HD SCREW	97	1330660	SPRING
16	1340100	SWITCH COVER ASSY	98	911028	HEAD CASTING
17	901-02-010-0567	#06-32 X 1/4" ROUND HD SCREW	98C	422-28-079-0015	RIVIT
18	1310163	M5 X 16MM PAN HD SCREW	98B	428-06-075-0001	POINTER
19	1320101	M5.3 EXT TOOTH WASHER	98A	910383	NAMEPLATE, 22-785
20	1343644	BUSHING	n	910395	NAMEPLATE, 22-785X
21	1349359	POWER CORD	99	1349343	CHAIN
22	1349360	SWITCH PLATE	100	1349344	FEED SPROCKET
22A	901-06-121-7383	#10-24 X 3/8" PAN HD SCREW	101	1246140	M6.4 FLAT WASHER
22B	904-03-030-1795	3/16" EXT TOOTH WASHER	102	1246014	M6 X 15MM HEX HD SCREW
22C	902-01-120-1216	#10-24 HEX NUT	103	1330508	BUSHING
23A	1346437	20UF CAPACITOR	104	1349341	HANDLE, 22-785
24	1313192	M5 X 20MM CHEESE HD SCREW		911036	HANDLE, 22-785X
25	1340637	M8.4 FLAT WASHER	105	1349340	SHAFT
26	1243398	M8 HEX NUT	110	1349379	HANGER
28	1349877	M6 X 12MM HEX FLANGE SCREW	111	1243379	M6 X 10MM HEX SOC HD SCR NOTE A
29	1349369	DEFLECTOR PLATE	112	1349378	SPRING
30	911030	MOTOR BRACKET	114	1349376	IDLER PULLEY ASSY
31	1340637	M8.4 FLAT WASHER	116	1349374	PIVOT
32	1246192	M8 X 45MM HEX HD SCREW	117	1349381	COLLAR
37	1330508	BUSHING	118	22-677	KNIVES (SET OF THREE)
38	1349358	KNOB	119	1349383	KNIFE LOCKING BAR
39	911031	PULLEY GUARD	120	1330143	SCREW
40	1349354	MOTOR PULLEY	121	920-04-022-4020	BALL BEARING
41	1340637	M8.4 FLAT WASHER	122	1349382	CUTTERHEAD
42	1246034	M8 X 20MM HEX HD SCREW	123	1246158	M5 X 16MM HEX SOC SET SCREW
43	1349355	V-BELT (SET OF 3)	123A	1349389	ADJUSTING NUT
44	1349356	SPACER	124A	1243336	M6 X 20MM HEX SOC HD SCREW
45	911027	PULLEY COVER	124	1349417	PINION
46	1349877	M6 X 12MM HEX FLANGE SCREW	124B	1320106	BALL BEARING
47	1246020	M10 X 80MM HEX HD SCREW	125	1349373	PLATE
48	1246016	M8 X 25MM HEX HD SCREW	126	1349380	COVER
49	1340637	M8.4 FLAT WASHER	127	1349916	M8 X 45MM HEX SOC HD SCREW
50	1349352	CUTTERHEAD PULLEY	127A	1349437	GEARBOX LABEL
51	1246035	M10 X 30MM HEX HD SCREW	128	1346457	M6 X 20MM SPRING PIN
52	1246116	M10.5 FLAT WASHER	129	1349373	PLATE
53	1349351	BUSHING	130	1349877	M6 X 12MM HEX FLANGE SCREW
54	1349350	LOCK BOLT	131	1349351	BUSHING
56	1349842	BRACKET 3PH ONLY	132	1349350	LOCK BOLT
56A	1243501	M4 X 10MM CHEESE HD SCREW	133	428-07-079-0002	KEY
57	436-10-112-0002	M6 X 16MM HEX HD SCREW 3PHONLY	134	1246084	M6 X 18MM HEX SOC SET SCREW
58	1243520	M6.1 LOCK WASHER	135	1246006	M8 X 50MM HEX SOC HD SCREW
59	1349841	MTR STR 3PH 200/220V	136	1330548	ADJ. SCREW
**	1340109	CONNECTOR (QTY 2)	137	1349877	M6 X 12MM HEX FLANGE SCREW
**	1340110	MOTOR CORD	138	1349372	SPRING
60	1330660	SPRING			
61	1349336	ROLLER BUSHING			ACCESSORIES: i
62	1243395	M5 HEX NUT			
63	1246166	M5 X 12MM HEX SOC SET SCREW	180	22-678	DUST HOOD, INCL;
64	1347065	M4 X 16MM SPRING PIN	181	1347020	M11.5 FLAT WASHER
65	1310105	M8 X 16MM HEX HD SCREW	182	1246035	M10 X 30MM HEX HD SCREW
66	1349349	PLATE			
67	1330410	M5 X 20MM SPRING PIN	**	NOT SHOWN	

Note A: Use thread sealant when reinstalling item 111 for service.

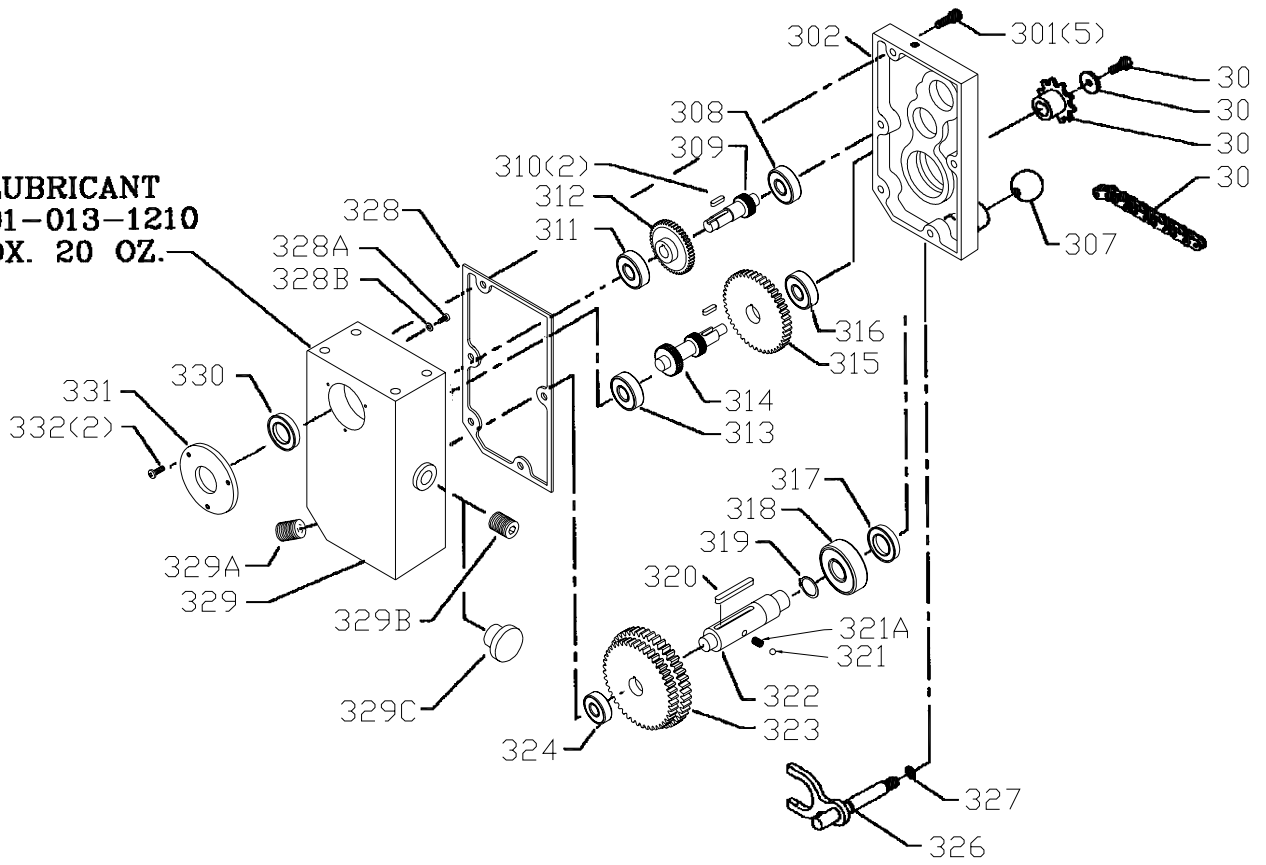


REPLACEMENT PARTS

Ref.

<u>No.</u>	<u>Part No.</u>	<u>Description</u>
201	1349400	HANDLE
202	1243496	M10 HEX NUT
203	1243502	M10 FLAT WASHER
204	1349399	DIRECTIONAL PLATE
205	1349398	HANDWHEEL
206	1349396	BUSHING
207	1330504	NUT
208	1349397	KEY
209	1349394	ELEVATING SCREW
210	1349392	COLUMN
211	1330542	SCALE
212	1246000	M3 X 6MM CHEESE HD SCREW
213	1349393	COLUMN SPACER
214	1246017	M8 X 30MM HEX HD SCREW
215	1340637	M8.4 FLAT WASHER
216	428-06-020-0001	COLUMN CAP
217	1330504	NUT
218	1349395	ELEVATING SCREW
219	1349391	COLUMN
220	1349393	COLUMN SPACER
221	1246038	M6 X 16MM HEX SOC SET SCREW
222	911033	TABLE
223	1311003	M10 X 12MM HEX SOC SET SCREW
224	1349402	ECCENTRIC STUD
225	920-04-012-4029	BALL BEARING
226	1243505	INT RET RING
227	1349403	SPROCKET
228	1243502	M10 FLAT WASHER
229	1243496	M10 HEX NUT
230	1349175	CHAIN
231	1346630	BALL BEARING
232	1349401	BED ROLLER
233	1349404	SUPPORT ASSY, INCL;
233A	1349406	IDLER
233B	1246196	EXT RET RING
234	1345971	M8 FLAT WASHER
235	1246034	M8 X 20MM HEX HD SCREW
239	920-04-012-4029	BALL BEARING
240	1243505	INT RET RING
241	1349403	SPROCKET
242	1243502	M10 FLAT WASHER
243	1243496	M10 HEX NUT
244	911032	BASE
245	1340637	M8.4 FLAT WASHER
246	1243398	M8 HEX NUT
269	1349408	KNIFE GAGE ASSY, CONST OF;
270	1349388	BAR
271	1246058	EXT RET RING
272	1349409	KNIFE GAGE BLOCK
273	1349411	WRENCH 14MM X 17MM
274	1349410	WRENCH 10MM X 12MM
275	428-07-101-0002	6MM HEX WRENCH
276	432-07-101-0004	5MM HEX WRENCH
277	428-06-101-0002	3MM HEX WRENCH
278	428-06-101-0003	2.5MM HEX WRENCH

**USE LUBRICANT
999-01-013-1210
APPROX. 20 OZ.**



REPLACEMENT PARTS

Ref.

<u>No.</u>	<u>Part No.</u>	<u>Description</u>
301	1243336	M6 X 20MM HEX SOC HD SCREW
302	911034	COVER
303	1310105	M8 X 16MM HEX HD SCREW
304	1344332	M8.8 FLAT WASHER
305	1349432	SPROCKET
306	1349434	CHAIN
307	1349433	KNOB, 22-785
	n 911037	KNOB, 22-785X
308	400-08-139-0008	BALL BEARING
309	1349416	PINION
310	1349431	KEY
311	1349415	GEAR
312	400-08-139-0008	BALL BEARING
313	400-08-139-0008	BALL BEARING
314	1349418	PINION
315	1349419	GEAR
316	400-08-139-0008	BALL BEARING
317	1349426	OIL SEAL
318	920-04-021-6585	BALL BEARING
319	1330075	EXT RET RING
320	1349430	KEY
321	1349428	BALL
321A	1349429	SPRING
322	1349420	SHAFT
323	1349421	GEAR
324	400-08-139-0008	BALL BEARING
326	1349422	HANDLE ROD ASSY
327	1349425	O-RING
328	1349414	GASKET
328A	1341046	M6 X 8MM CHEESE HD SCREW
328B	1340622	M6.4 FLAT WASHER
329	911035	GEAR BOX HOUSING
329A	422-29-074-0001	PLUG
329B	422-29-074-0001	PLUG
330	1349427	OIL SEAL
331	1349424	OIL SEAL COVER
332	1310162	M5 X 12MM PAN HD SCREW
**	999-01-013-1210	LUBRICANT (APPROX 20 OZ)
**	NOT SHOWN	

STANDARD SAFETY EQUIPMENT

In order to promote tool safety, Delta Machinery strictly enforces the policy of repairing or replacing any damaged or missing standard safety equipment on machines presented to Delta Authorized Service Centers for service/repairs. Any product that is presented to a Delta Authorized Service Centers for repairs which contains missing or damaged standard safety equipment will have that equipment repaired or replaced and the customer will be charged for any such service/repairs. Customers can avoid such charges only if the missing safety component is supplied to the service center at the time of repair.

This parts list is provided to aid in obtaining service parts. Copies of the instruction and maintenance literature can be obtained through the Delta Technical Publications Department or through your service outlet.