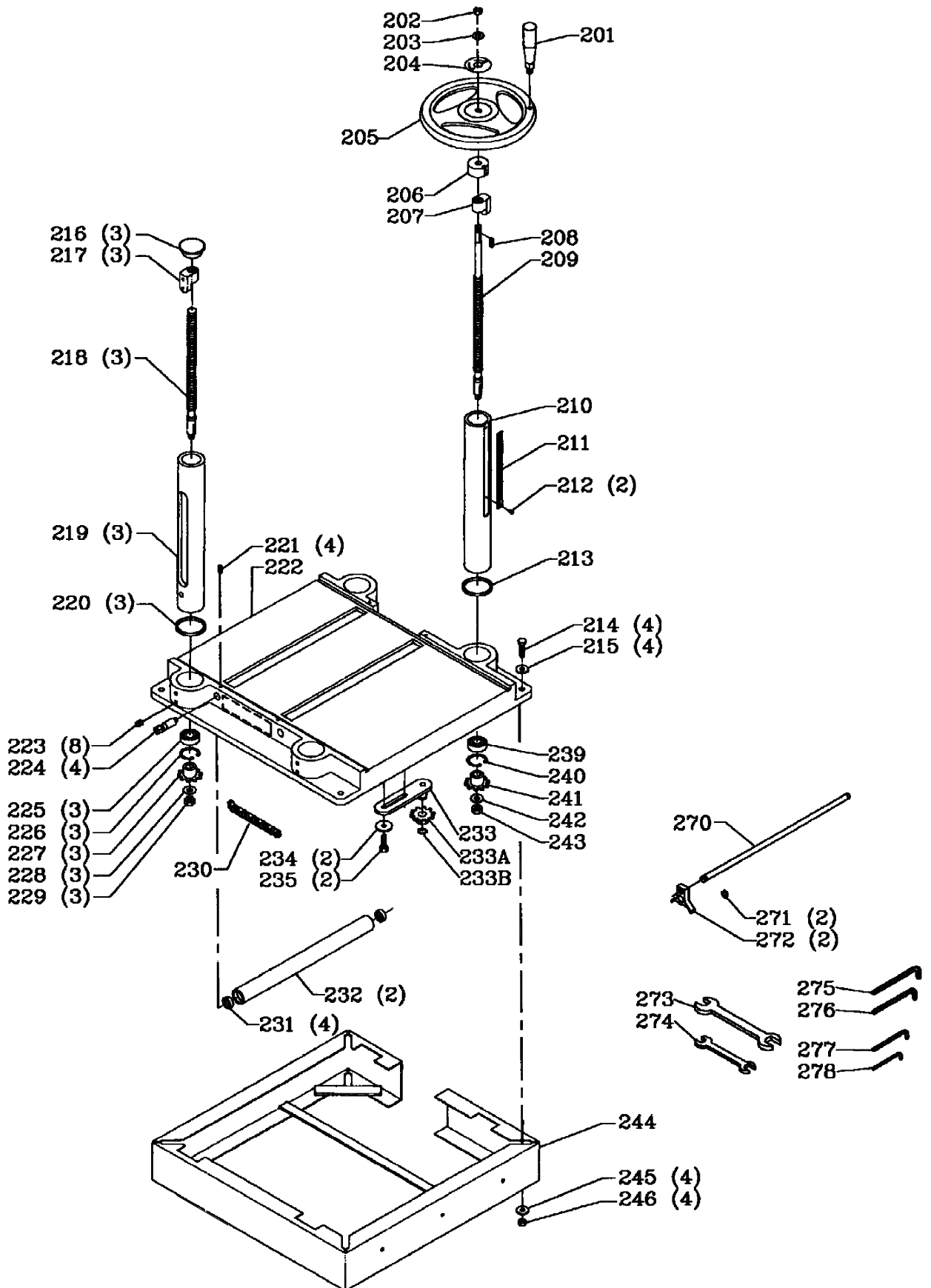


# REPLACEMENT PARTS

Ref.			Ref.		
<u>No.</u>	<u>Part No.</u>	<u>Description</u>	<u>No.</u>	<u>Part No.</u>	<u>Description</u>
1	1346723	M6 X 16MM HEX FLANGE SCREW	65	1310105	M8 X 16MM HEX HD SCREW
1A	1349438	WARNING LABEL	66	1349349	PLATE
1B	1349443	WARNING LABEL	67	1330410	M5 X 20MM SPRING PIN
2	1330682	CLAMP	68	1349339	OUTFEED ROLLER
3	1349385	SEAL	69	1349337	KEY
4	1349371	UPPER COVER	70	1349336	ROLLER BUSHING
5	1246084	M6 X 18MM HEX SOC SET SCREW	71	1330660	SPRING
6	1243456	M6 HEX NUT	72	1349335	FEED SPROCKET
7	1349370	CHIP BREAKER	73	1246014	M6 X 15MM HEX HD SCREW
8	1349387	KEY	74	1246140	M6.4 FLAT WASHER
9	1349363	MOTOR ASSY MODEL 22-675 2HP 1PH, INCL: CF	80	1246028	EXT RET RING
9A	1346436	MOTOR ASSY MODEL 22-680 3HP 1PH, INCL:	81	1349345	COLLAR
10	1349364	SWITCH BOX	82	1349346	ANTI-KICKBACK FINGER
11	1349365	CLAMP	83	1349347	SHAFT
12	1340406	M4.2 X 10MM PAN HD SCREW	88	1349336	ROLLER BUSHING
13	1340406	M4.2 X 10MM PAN HD SCREW	89	1330660	SPRING
13A	1349439	FEATURE LABEL	90	1330048	M6 X 20MM HEX SOC SET SCREW
13B	904-03-030-1795	3/16" EXT TOOTH WASHER	90A	1330200	M8 X 12MM HEX SOC SET SCREW
14	1340095	1 PH MANUAL SWITCH	91	1342000	M6 X 8MM FLAT HD SCREW
15	402-07-104-5007	SPACER	92	1349338	LIMITER PLATE
15A	902-01-120-9232	06-32 HEX NUT	93	1342000	M6 X 8MM FLAT HD SCREW
15B	904-03-030-1788	EXT TOOTH WASHER	94	1349348	INFEED ROLLER
15C	901-06-143-1327	06-32 X 5/16" PAN HD SCREW	95	1349337	KEY
16	1340100	SWITCH COVER ASSY	96	1349336	ROLLER BUSHING
17	901-02-010-0567	06-32 X 1/4" ROUND HD SCREW	97	1330660	SPRING
18	1310163	M5 X 16MM PAN HD SCREW	98	1349334	HEAD CASTING
19	1320101	M5.3 EXT TOOTH WASHER	98C	422-28-079-0015	RIVIT
20	1343644	BUSHING	98B	428-06-075-0001	POINTER
21	1349359	POWER CORD	98A	1349440	NAMEPLATE
22	1349360	SWITCH PLATE	99	1349343	CHAIN
22A	901-06-121-7383	10-24 X 3/8" PAN HD SCREW	100	1349344	FEED SPROCKET
22B	904-03-030-1795	3/16" EXT TOOTH WASHER	101	1246140	M6.4 FLAT WASHER
22C	902-01-120-1216	10-24 HEX NUT	102	1246014	M6 X 15MM HEX HD SCREW
23A	1349342	500UF START CAPACITOR	103	1330508	BUSHING
23B	1340108	16UF RUN CAPACITOR (MODEL 22-675, 2HP 1PH)	104	1349341	HANDLE
23C	1346437	20UF RUN CAPACITOR (MODEL 22-680, 3HP 1PH)	105	1349340	SHAFT
24	1313192	M5 X 20MM CHEESE HD SCREW	110	1349379	HANGER
25	1340637	M8.4 FLAT WASHER	111	1243379	M6 X 10MM HEX SOC HD SCR, NOTE A
26	1243398	M8 HEX NUT	112	1349378	SPRING
28	1349877	M6 X 12MM HEX FLANGE SCREW	114	1349376	IDLER PULLEY ASSY
29	1349369	DEFLECTOR PLATE	116	1349374	PIVOT
30	1349375	MOTOR BRACKET (CMO)	117	1349381	COLLAR
30A	1349362	MOTOR BRACKET (EMO), NOTE C	118	22-677	KNIVES (SET OF THREE)
31	1340637	M8.4 FLAT WASHER	119	1349383	KNIFE LOCKING BAR
32	1246192	M8 X 45MM HEX HD SCREW	120	1330143	SCREW
37	1330508	BUSHING	121	920-04-022-4020	BEARING
38	1349358	KNOB	122	1349382	CUTTERHEAD
39	1349377	PULLEY GUARD (CMO)	123	1246158	M5 X 16MM HEX SOC SET SCREW
39A	1349353	PULLEY GUARD (EMO)	123A	1349389	ADJUSTING NUT
40	1349354	MOTOR PULLEY	124A	1243336	M6 X 20MM HEX SOC HD SCREW
41	1340637	M8.4 FLAT WASHER	124	1349417	PINION
42	1246034	M8 X 20MM HEX HD SCREW	124B	1320106	BEARING
43	1349355	V-BELT (SET OF 3)	125	1349373	PLATE
44	1349356	SPACER	126	1349380	COVER
45	1349357	PULLEY COVER	127	1349916	M8 X 45MM HEX SOC HD SCREW
46	1349877	M6 X 12MM HEX FLANGE SCREW	127A	1349437	GEARBOX LABEL
47	1246020	M10 X 80MM HEX HD SCREW	128	1346457	M6 X 20MM SPRING PIN
48	1246016	M8 X 25MM HEX HD SCREW	129	1349373	PLATE
49	1340637	M8.4 FLAT WASHER	130	1349877	M6 X 12MM HEX FLANGE SCREW
50	1349352	CUTTERHEAD PULLEY	131	1349351	BUSHING
51	1246035	M10 X 30MM HEX HD SCREW	132	1349350	LOCK BOLT
52	1246116	M10.5 FLAT WASHER	133	428-07-079-0002	KEY
53	1349351	BUSHING	134	1246084	M6 X 18MM HEX SOC SET SCREW
54	1349350	LOCK BOLT	135	1246006	M8 X 50MM HEX SOC HD SCREW
55	1349843	MOTOR ASSY (MODEL 22-676, 3HP, 3PH)	136	1330548	ADJ. SCREW
55A	1346438	MOTOR ASSY (MODEL 22-681, 3HP, 3PH)	137	1349877	M6 X 12MM HEX FLANGE SCREW
56	1349842	BRACKET 3PH ONLY	138	1349372	SPRING
56A	1243501	M4 X 10MM CHEESE HD SCREW (3PH)			
57	436-10-112-0002	M6 X 16MM HEX HD SCREW 3PHONLY			
58	1243520	M6.1 LOCK WASHER 3PH ONLY			
59A	1349841	MTR STR 3PH 200/220V	180	22-678	DUST HOOD, INCL;
59B	1348662	MTR STARTER 3PH 440V	181	1347020	M11.5 FLAT WASHER
*	1340109	CONNECTOR (QTY 2)	182	1246035	M10 X 30MM HEX HD SCREW
*	1340110	MOTOR CORD			
60	1330660	SPRING	**	NOT SHOWN	
61	1349336	ROLLER BUSHING		EMO=EARLY MODELS ONLY	
62	1243395	M5 HEX NUT		CMO=CURRENT MODELS ONLY	
63	1246166	M5 X 12MM HEX SOC SET SCREW			
64	1347065	M4 X 16MM SPRING PIN			

**NOTE A:** USE THREAD SEALANT WHEN REINSTALLING ITEM 111  
**NOTE C:** WHEN REPLACING REF. 30A, USE ONE EA. REF.30, 39, 51, & 52.

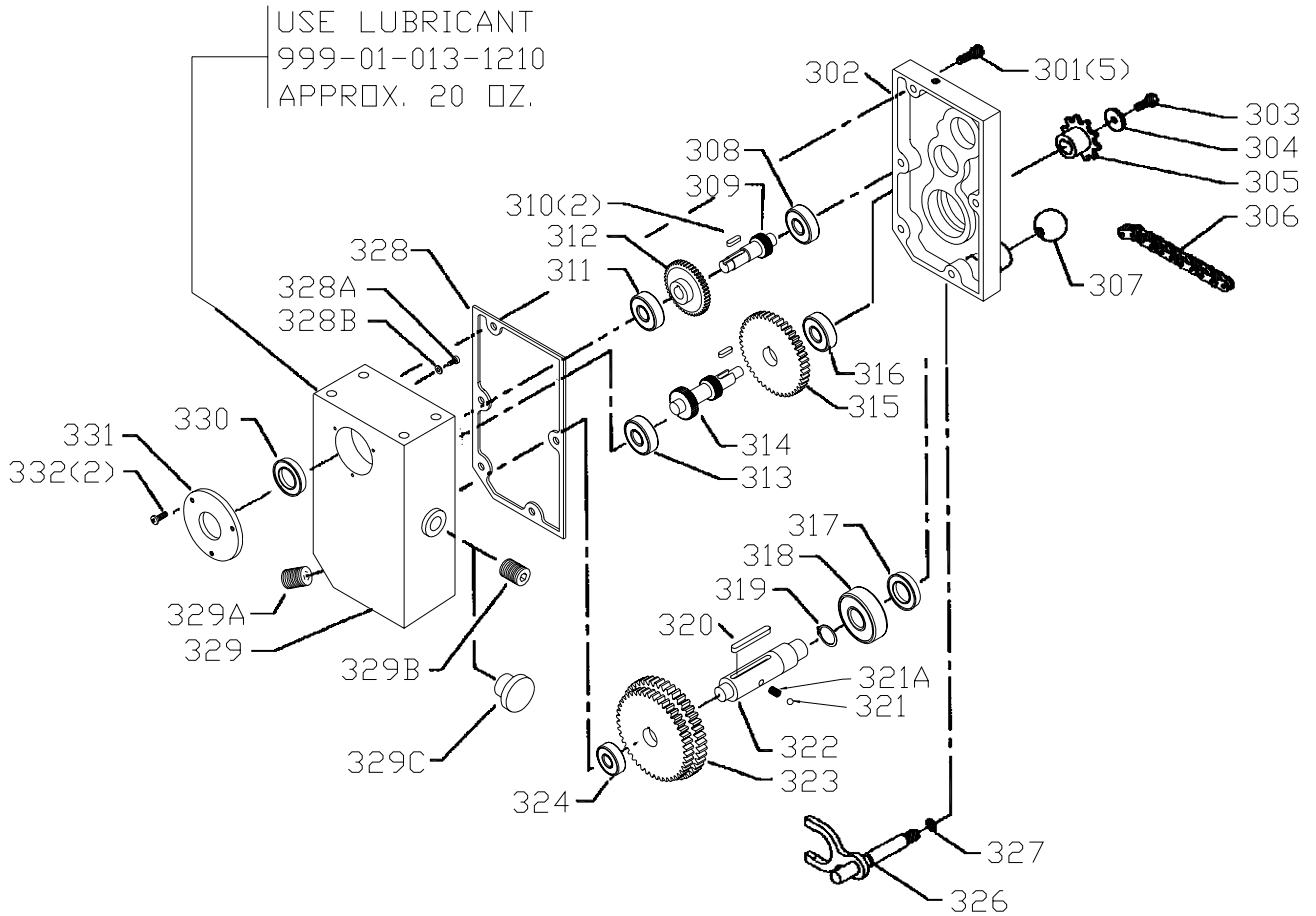


# REPLACEMENT PARTS

Ref.	<u>No.</u>	<u>Part No.</u>	<u>Description</u>
	201	1349400	HANDLE
	202	1243496	M10 HEX NUT
	203	1243502	M10 FLAT WASHER
	204	1349399	DIRECTIONAL PLATE
	205	1349398	HANDWHEEL
	206	1349396	BUSHING
	207	1330504	NUT
	208	1349397	KEY
	209	1349394	ELEVATING SCREW
	210	1349392	COLUMN
	211	1330542	SCALE
	212	1246000	M3 X 6MM CHEESE HD SCREW
	213	1349393	COLUMN SPACER
	214	1246017	M8 X 30MM HEX HD SCREW
	215	1340637	M8.4 FLAT WASHER
	216	428-06-020-0001	COLUMN CAP
	217	1330504	NUT
	218	1349395	ELEVATING SCREW
	219	1349391	COLUMN
	220	1349393	COLUMN SPACER
	221	1246038	M6 X 16MM HEX SOC SET SCREW
	222	1349390	TABLE
	223	1311003	M10 X 12MM HEX SOC SET SCREW
	224	1349402	ECCENTRIC STUD
	225	920-04-012-4029	BEARING
	226	1243505	INT RET RING
	227	1349403	SPROCKET
	228	1243502	M10 FLAT WASHER
	229	1243496	M10 HEX NUT
	230	1349175	CHAIN
	231	1346630	BEARING
	232	1349401	BED ROLLER
	233	1349404	SUPPORT ASSY, INCL;
	233A	1349406	IDLER
	233B	1246196	EXT RET RING
	234	1345971	M8 FLAT WASHER
	235	1246034	M8 X 20MM HEX HD SCREW
	239	920-04-012-4029	BEARING
	240	1243505	INT RET RING
	241	1349403	SPROCKET
	242	1243502	M10 FLAT WASHER
	243	1243496	M10 HEX NUT
	244	1349407	BASE
	245	1340637	M8.4 FLAT WASHER
	246	1243398	M8 HEX NUT
	*	1349408	KNIFE GAGE ASSY, INCL.:
	270	1349388	BAR
	271	1246058	EXT RET RING
	272	1349409	KNIFE GAGE BLOCK
	273	1349411	WRENCH 14MM X 17MM
	274	1349410	WRENCH 10MM X 12MM
	275	428-07-101-0002	6MM HEX WRENCH
	276	432-07-101-0004	5MM HEX WRENCH
	277	428-06-101-0002	3MM HEX WRENCH
	278	n 891903	2.5MM HEX WRENCH

\* NOT SHOWN ASSEMBLED

# REPLACEMENT PARTS



**Ref.**

No.	Part No.	Description
301	1243336	M6 X 20MM HEX SOC HD SCREW
302	1349413	COVER
303	1310105	M8 X 16MM HEX HD SCREW
304	1344332	M8.8 FLAT WASHER
305	1349432	SPROCKET
306	1349434	CHAIN
307	1349433	KNOB
308	400-08-139-0008	BEARING
309	1349416	PINION
310	1349431	KEY
311	1349415	GEAR
312	400-08-139-0008	BEARING
313	400-08-139-0008	BEARING
314	1349418	PINION
315	1349419	GEAR
316	400-08-139-0008	BEARING
317	1349426	OIL SEAL
318	920-04-021-6585	BEARING

**Ref.**

No.	Part No.	Description
319	1330075	EXT RET RING
320	1349430	KEY
321	1349428	BALL
321A	1349429	SPRING
322	1349420	SHAFT
323	1349421	GEAR
324	400-08-139-0008	BEARING
326	1349422	HANDLE ROD ASSY
327	1349425	O-RING
328	1349414	GASKET
328A	1341046	M6 X 8MM CHEESE HD SCREW
328B	1340622	M6.4 FLAT WASHER
329	1349412	GEAR BOX HOUSING
329A	422-29-074-0001	PLUG
329B	422-29-074-0001	PLUG, (CMO)
329C	1349361	OIL LEVEL PLUG, (EMS), NOTE B
330	1349427	OIL SEAL
331	1349424	OIL SEAL COVER
332	1310162	M5 X 12MM PAN HD SCREW
**	999-01-013-1210	LUBRICANT (APPROX 20 OZ)

**NOTE B:** Use Silicone Sealant when replacing this plug.

\*\* NOT SHOWN

## STANDARD SAFETY EQUIPMENT

In order to promote tool safety, Delta Machinery strictly enforces the policy of repairing or replacing any damaged or missing standard safety equipment on machines presented to Delta Authorized Service Centers for service/repairs. Any product that is presented to a Delta Authorized Service Center for repair with damaged or missing standard safety equipment will have that equipment repaired or replaced and the customer will be charged for any such service/repairs. Customers can avoid such charges only if the missing safety component is supplied to the service center at the time of repair.

This parts list is provided to aid in obtaining service parts. Copies of the instruction and maintenance literature can be obtained through the Delta Technical Publications Department, your service outlet, or by visiting the Delta Website @ [www.deltamachinery.com](http://www.deltamachinery.com).