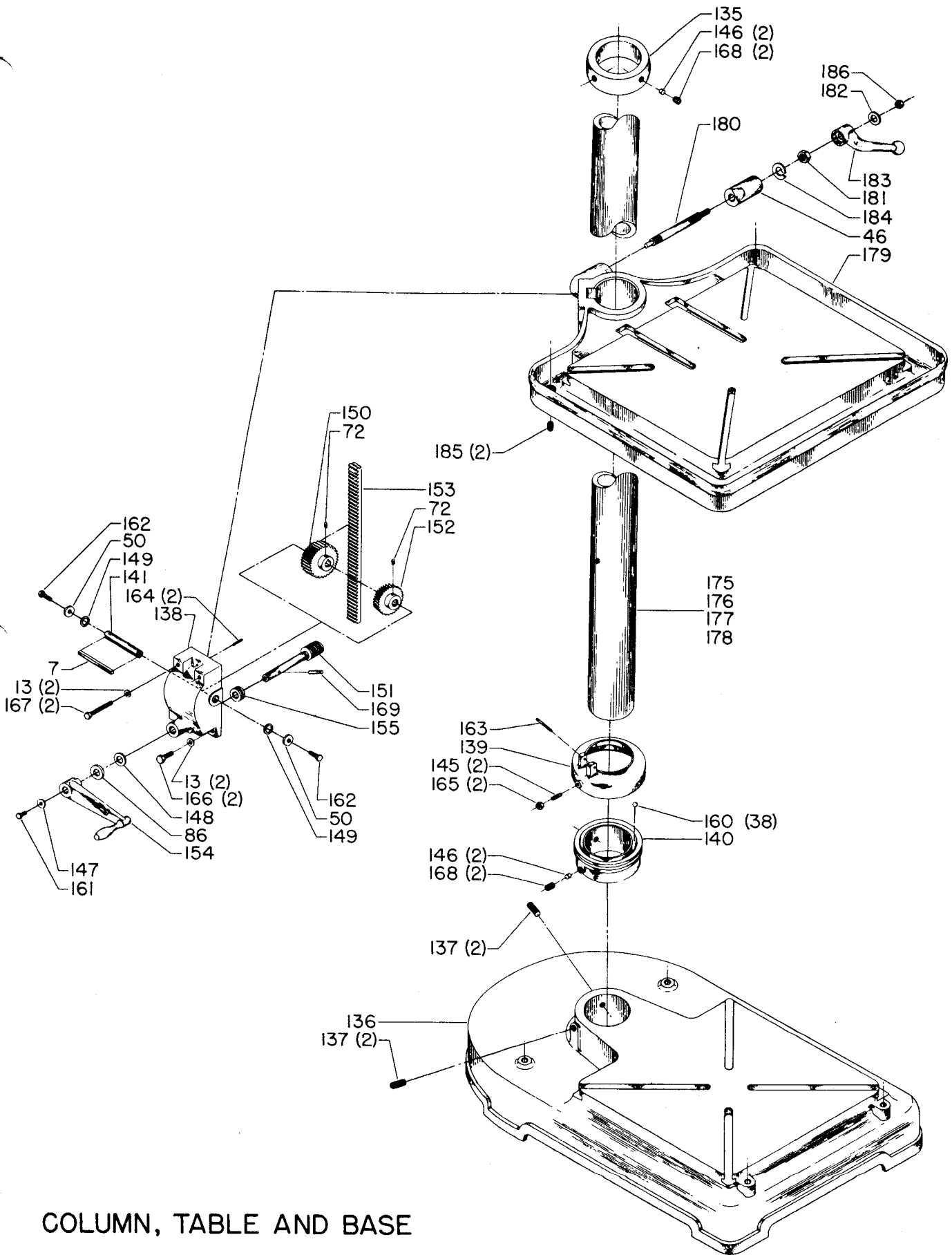


HAND FEED HEAD AND GUARD

Replacement Parts

Ref. No.	Part No.	Description	Ref. No.	Part No.	Description
1	401-04-106-5001	Pinion	63	931-03-051-1621	Hand Knob
2	401-04-077-5001	Rack	64	931-01-011-4796	Knob
3	401-04-406-5004	Pulley, Incl:	65	920-90-031-5104	Lower Bearing
4	401-04-106-5004	Shaft	66	920-90-031-5109	Upper Bearing
5	926-01-061-5639	Pulley Feed	70	402-04-031-5002	Cover
6	901-04-150-0217	5/16-18 x 1/2" Soc. Hd. Set Scr.	71	904-01-031-2901	5/8" Washer
7	927-03-010-2668	3/16 x 3/16 x 1-3/4" Key	72	901-04-150-0208	1/4-20 x 1/4" Soc. Hd. Set Scr.
8	920-04-020-5360	Bearing	6	901-04-150-0217	5/16-18 x 1/2" Soc. Hd. Set Scr.
9	905-01-010-6714	5/32 x 1-1/4" Roll Pin	73	901-04-150-0231	5/16-18 x 3/8" Soc. Hd. Set Scr.
10	401-04-079-5003	Bearing Holder	74	901-02-010-0501	1/4-20 x 1" Rd. Hd. Scr.
11	401-04-314-5003	Depth Gage, Incl:	75	901-02-010-0503	1/4-20 x 5/8" Rd. Hd. Scr.
12	902-01-010-1300	5/16-18 Hex Nut	76	901-02-010-0553	#6-32 x 1/2" Rd. Hd. Scr.
13	904-01-010-1620	5/16" Washer	77	901-01-060-0602	5/16-18 x 1-1/4" Hex Hd. Scr.
14	901-04-112-5001	Clamp Bolt	78	901-01-060-0605	5/16-18 x 1/2" Hex Hd. Scr.
15	401-04-085-5001	Spindle W/#2 M.T.	79	901-01-060-0607	5/16-18 x 3/4" Hex Hd. Scr.
16	401-04-085-5002	Spindle W/#3 M.T.	80	901-01-060-0671	1/2-20 x 1" Hex Hd. Scr.
17	401-04-031-5001	Spring Housing	81	901-02-010-0912	1/4-20 x 4-1/2" Rd. Hd. Scr.
18	401-04-107-5001	Hub	82	902-01-120-1034	1/4-20 Hex Nut
19	401-04-372-5001	Plate, Incl:	83	902-01-020-1226	5/8-18 Hex Jam Nut
20	905-04-071-4824	Short Pin	84	902-01-020-1266	1/2-13 Hex Nut
21	905-04-071-4823	Long Pin	85	904-01-010-1605	3/8 x 7/8 x 1/16" Washer
22	905-01-010-2730	3/16 x 1-1/2" Roll Pin	13	904-01-010-1620	5/16" Washer
23	401-04-108-5001	Depth Gage	86	904-01-010-1622	5/8" Washer
24	401-04-105-5001	Sleeve	87	904-02-010-1703	5/16" Washer
25	401-04-036-5001	Flinger Collar	88	904-02-020-2063	5/8" Lockwasher
26	401-04-031-5005	Cover	89	904-02-020-2086	5/16" Lockwasher
27	401-04-055-5002	Depth Gage Guide	90	907-00-000-2486	Oiler
28	401-04-019-5001	Cam Motor Mount	91	927-03-010-2662	3/16 x 3/16 x 3/4" Key
29	Cannot Furnish	Head	92	901-01-060-3133	1/2-13 x 3" Hex Hd. Scr.
30	401-04-079-5004	Bearing Holder	93	908-00-000-3771	Gasket
31	Cannot Furnish	Left Cover	94	902-09-010-5901	Acorn Nut
32	Cannot Furnish	Right Cover	95	905-01-010-6715	3/16 x 5/8" Roll Pin
33	401-04-072-5004	Motor Base	96	904-15-010-7018	Snap Ring
34	401-02-037-5001	Depth Vernier	97	928-07-010-7356	Bearing Spring
35	401-02-079-5001	Pinion Retainer	98	901-03-040-8015	But. Hd. Soc. Cap Scr.
40	901-09-081-5210	Quill Lock Screw	99	901-03-040-8016	But. Hd. Soc. Cap Scr.
41	931-03-991-3481	Stud	105	49-108	V-Belt
42	952-01-121-3274	Spring Pin	106	49-235	Motor Pulley, Incl:
43	952-01-121-3270	Spoke	6	901-04-150-0217	5/16-18 x 1/2" Soc. Hd. Set Scr.
44	952-01-111-3292	Stud	110	401-04-014-5006	Rear Bracket
45	902-01-201-2592	Adjusting Nut	112	401-04-004-5001	Guard Link
46	904-01-131-5359	Lock Bolt	113	401-04-014-5007	Front Bracket
47	905-04-071-4485	Plug	115	401-04-111-5002	Stud
48	904-01-071-4975	Washer	116	Cannot Furnish	Guard Pan
49	Cannot Furnish	Washer	117	Cannot Furnish	Guard
50	904-10-031-5381	Washer	120	Nameplate	By Request Only
51	904-07-011-4219	Fiber Washer	121	901-02-010-0506	5/16-18 x 5/8" Rd. Hd. Scr.
52	904-05-030-6669	"D" Washer	122	901-01-060-0606	5/16-18 x 5/8" Hex Hd. Scr.
53	904-10-101-2516	Spacer	123	901-01-060-0626	1/4-20 x 3/4" Hex Hd. Scr.
54	904-10-181-2409	Collar	124	901-11-020-0821	1/4-20 x 1" Car. Bolt
55	401-04-406-5003	Shaft and Handle	125	902-01-210-1079	Lock Nut
56	401-04-071-5001	Base Hinge Pin	12	902-01-010-1300	5/16-18 Hex Nut
60	928-01-041-5323	Spring	126	904-01-010-1614	1/4" Washer
61	928-08-011-5876	Spring	127	901-06-450-2256	#4 x 5/16" Drive Screw
62	961-04-041-3404	Spring Clip	128	902-09-010-5902	Acorn Nut



COLUMN, TABLE AND BASE

Replacement Parts

<u>Ref. No.</u>	<u>Part No.</u>	<u>Description</u>	<u>Ref. No.</u>	<u>Part No.</u>	<u>Description</u>
135	401-04-089-5001	Support	86	904-01-010-1622	5/8" Washer
136	Cannot Furnish	Base, Incl:	7	927-03-010-2668	3/16 x 3/16 x 1-3/4" Key
137	901-04-150-1125	1/2-13 x 1" Soc. Hd. Set Scr.	163	905-01-010-2730	3/16 x 1-1/2" Roll Pin
138	401-04-013-5001	Housing	164	905-02-010-5030	3/16 x 3/4" Groove Pin
139	401-04-089-5002	Thrust Bearing	165	902-01-020-5435	5/16-18 Hex Nut
140	401-04-089-5003	Thrust Bearing	166	901-01-060-0649	5/16-18 x 1" Hex Hd. Scr.
141	401-04-106-5007	Shaft	167	901-01-060-5770	5/16-18 x 2-1/4" Hex Hd. Scr.
145	901-04-380-4562	Guide Screw	168	901-04-190-6228	1/2-13 x 1/2" Soc. Hd. Set Scr.
146	905-04-071-4480	Plug	169	905-02-050-6862	1/4 x 1" Groove Pin
147	904-01-031-4993	Washer	175	20-625	3-3/4 x 33" Column
50	904-10-031-5381	Washer	176	20-626	3-3/4 x 42" Column
148	904-07-071-4214	Fiber Washer	177	20-627	3-3/4 x 66" Column
149	904-07-071-4230	Washer	178	20-628	3-3/4 x 78" Column
150	401-04-351-5003	Gear, Incl:	179	20-650	Production Table, Incl:
72	901-04-150-0208	1/4-20 x 1/4" Soc. Hd. Set Scr.	26	401-04-031-5005	Cover
151	401-04-051-5002	Worm	180	952-01-141-3285	Locking Stud
152	401-04-351-5002	Gear, Incl:	181	902-01-210-1084	Nut
72	901-04-150-0208	1/4-20 x 1/4" Soc. Hd. Set Scr.	182	904-01-031-5661	Washer
153	401-04-051-5011	Rack	183	931-04-011-5922	Handle
154	930-05-991-5917	Crank	**	901-01-060-0657	5/16-24 x 1/2" Hex Hd. Scr.
155	920-52-010-7291	Thrust Bearing	**	904-01-010-1605	5/16" Washer
160	921-01-010-0031	Steel Ball	184	904-02-010-1713	5/8" Lockwasher
161	901-01-060-0651	1/4-28 x 1/2" Hex Hd. Scr.	185	906-00-000-2440	Pipe Plug
162	901-01-060-0663	5/16-24 x 3/4" Hex Hd. Scr.	186	902-01-020-9103	5/8" Nut
13	904-01-010-1620	5/16" Washer	46	904-01-131-5359	Lock Bolt

** Not Shown