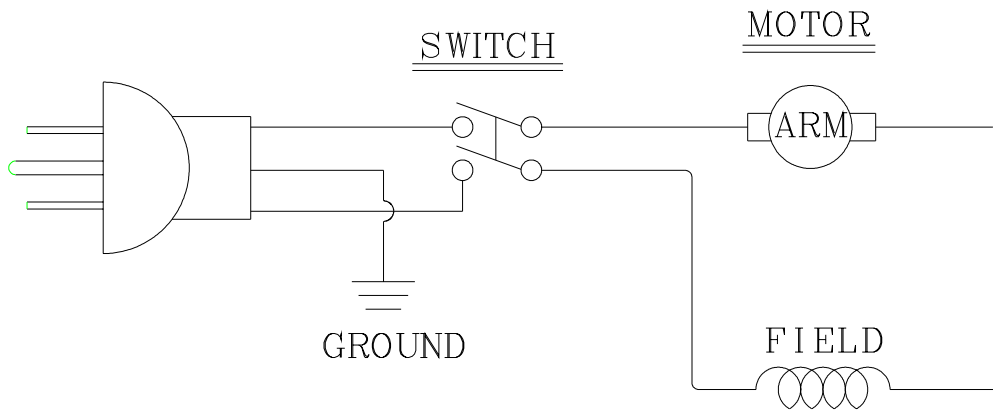
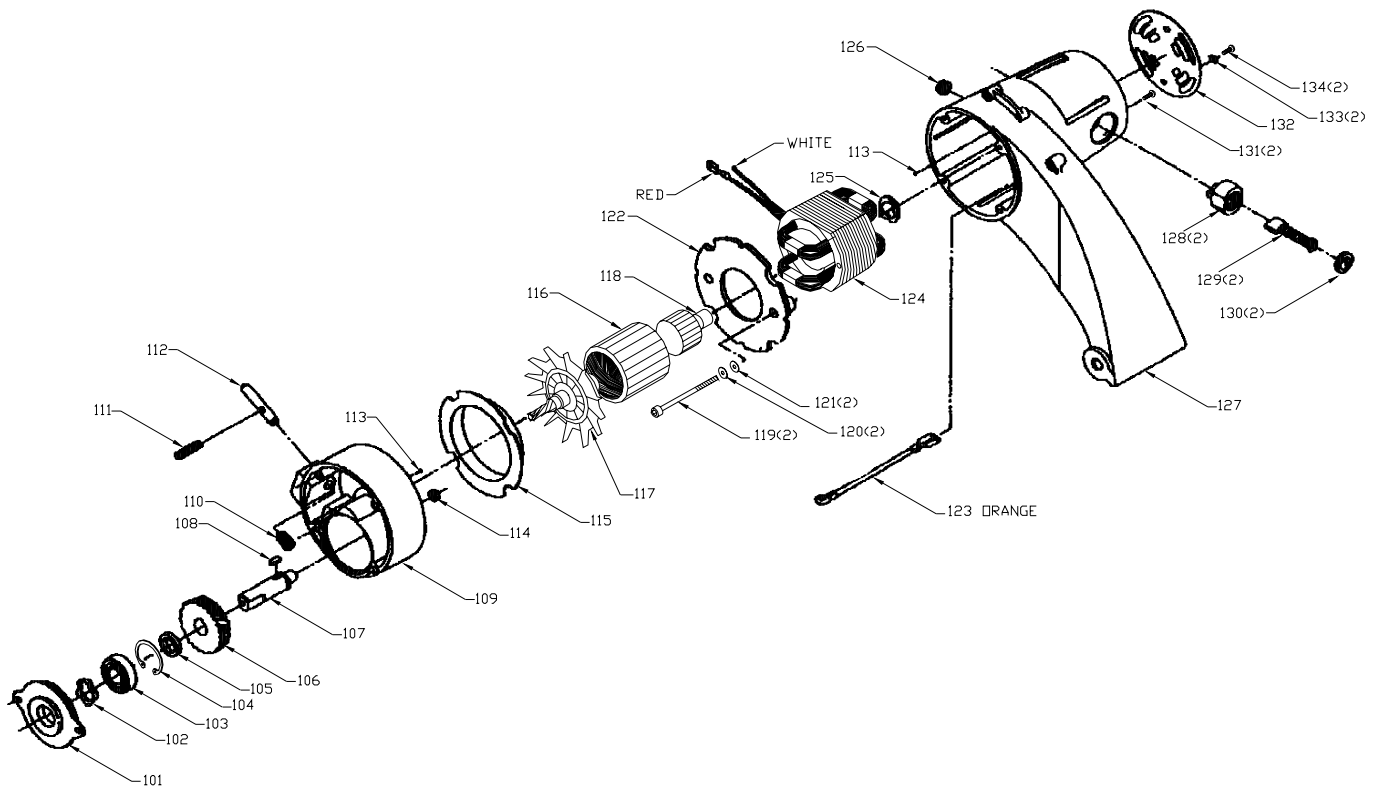


REPLACEMENT PARTS

Ref.

<u>No.</u>	<u>Part No.</u>	<u>Description</u>
1	n A01323	HANDLE SET
2	1341783	M5 X 25MM CHEESE HD SCREW
3	1342451	M5 X 35MM CHEESE HD SCREW
4	1341756	STRAIN RELIEF
6	1341757	CORD
7	1343140	M5 X 12MM SHEET METAL SCREW
8	1310547	M4 X 12MM SHEET METAL SCREW
9	1341753	SWITCH
10	1243495	M5 HEX NUT, CF
11	1246102	5.3 MM FLAT WASHER
12	1343504	M5 HEX LOCK NUT
13	1341754	CHAIN HOOK
15	1313174	M5 X 25MM THD FORM SCREW
16	1246102	5.3 MM FLAT WASHER
17	1320101	5.3 MM EXT TOOTH LOCKWASHER
18	n 1343642	M6 HEX LOCK NUT
19	1341743	UPPER GUARD
20	1341760	RUBBER BUMPER
21	1243520	6 MM LOCK WASHER
22	1310154	M6 X 65MM PAN HD SCREW
23	1341744	SPACER
24	1341745	FLANGE
25	1341746	SPACER (OUTER)
26	1243407	RETAINING RING
27	SEE CATALOG	ABRASIVE WHEEL
28	1341747	BLADE BOLT ASSEMBLY
29	1341748	LOWER GUARD
30	1341750	FIBER WASHER
31	1341751	SPECIAL SHOULDER BOLT
32	1341749	NAMEPLATE/WARNING LABEL
33	1341755	CORD
34	n 1243530	M8 X 30MM HEX HD SCREW
35	1341741	SPACER
36	1243398	M8 HEX NUT
37	1246157	8 MM LOCK WASHER
38	1246017	M8 X 30MM HEX HD SCREW
39	1243398	M8 HEX NUT
40	1246014	M6 X 15MM HEX HD SCREW
41	1341046	M6 X 8MM CHEESE HD SCREW
42	1341738	COVER
43	1341742	SPRING
44	1341739	SHAFT
45	1341740	BRACKET
46	1246018	M10 X 25MM HEX HD SCREW
47	1243360	10 MM LOCK WASHER
48	1343451	M6 X 25MM FLAT HD SCREW
49	1341735	RUBBER FOOT
50	1341736	BASE
51	1246115	M10 X 20MM HEX HD SCREW
52	1243360	10 MM LOCK WASHER
53	1243502	10MM FLAT WASHER
54	1341737	WISE PLATE
55	1341759	CLAMP BLOCK
56	1243407	RETAINING RING
57	1341725	WISE JAW
58	1341726	PIN
59	1246064	RETAINING RING
60	1341727	THREAD NUT
61	1246025	DIA 6 X 30 MM ROLL PIN
62	1341728	SUPPORT
63	1341729	SCREW
64	1246119	DIA 3 X 16 MM ROLL PIN
65	1341730	HANDLE
66	1341732	KNOB
67	1341731	M8 PUSH NUT
68	1246016	M8 X 25MM HEX HD SCREW
69	1246157	8 MM LOCK WASHER
70	1341733	CHAIN



WIRING DIAGRAM

REPLACEMENT PARTS

<u>Ref.</u>	<u>No.</u>	<u>Part No.</u>	<u>Description</u>
	71	1341734	WRENCH
	*	1341761	COMPLETE MOTOR ASSEMBLY, INCL.:
	101	1341762	RETAINER
	102	1313124	WAVY WASHER
	103	n 1086894	BEARING
	104	1246003	RETAINING RING
	105	1341744	SPACER
	106	1341763	GEAR
	107	1341764	SHAFT
	108	1341765	KEY
	109	1341766	GEAR HOUSING
	110	1341778	SPRING
	111	1246023	4 X 28MM ROLL PIN
	112	1341779	PLUNGER
	113	1341782	RETAINER
	114	1341767	BEARING
	115	1341768	BAFFLE
	116	1341769	ARMATURE
	117	n 1086894	FAN END BEARING
	118	920-08-020-5352	COMMUTATOR BEARING
	119	1341770	M5 X 72MM PAN HD SCREW
	120	1320101	5.3 MM EXT TOOTH LOCKWASHER
	121	1246102	5 MM FLAT WASHER
	122	1341784	RETAINER
	123	1341771	JUMPER WIRE
	124	1341772	FIELD
	125	n 1313118	WAVY WASHER
	126	1341780	GROMMET
	127	1341773	HOUSING, CF
	128	1341774	BRUSH HOLDER
	129	1313113	BRUSH
	130	1313114	BRUSH CAP
	131	1246008	M5 X 8MM HEX SOC SET SCREW
	132	1341777	END COVER
	133	1320101	5.3 MM EXT TOOTH LOCKWASHER
	134	1310155	M5 X 8MM CHEESE HD SCREW
	*		NOT SHOWN ASSEMBLED

STANDARD SAFETY EQUIPMENT

In order to promote tool safety, Delta Machinery strictly enforces the policy of repairing or replacing any damaged or missing standard safety equipment on machines presented to Delta Authorized Service Centers for service/repairs. Any product that is presented to a Delta Authorized Service Center for repair with damaged or missing standard safety equipment will have that equipment repaired or replaced and the customer will be charged for any such service/repairs. Customers can avoid such charges only if the missing safety component is supplied to the service center at the time of repair.

This parts list is provided to aid in obtaining service parts. Copies of the instruction and maintenance literature can be obtained through the Delta Technical Publications Department, your service outlet, or by visiting the Delta Website @ www.deltamachinery.com.