

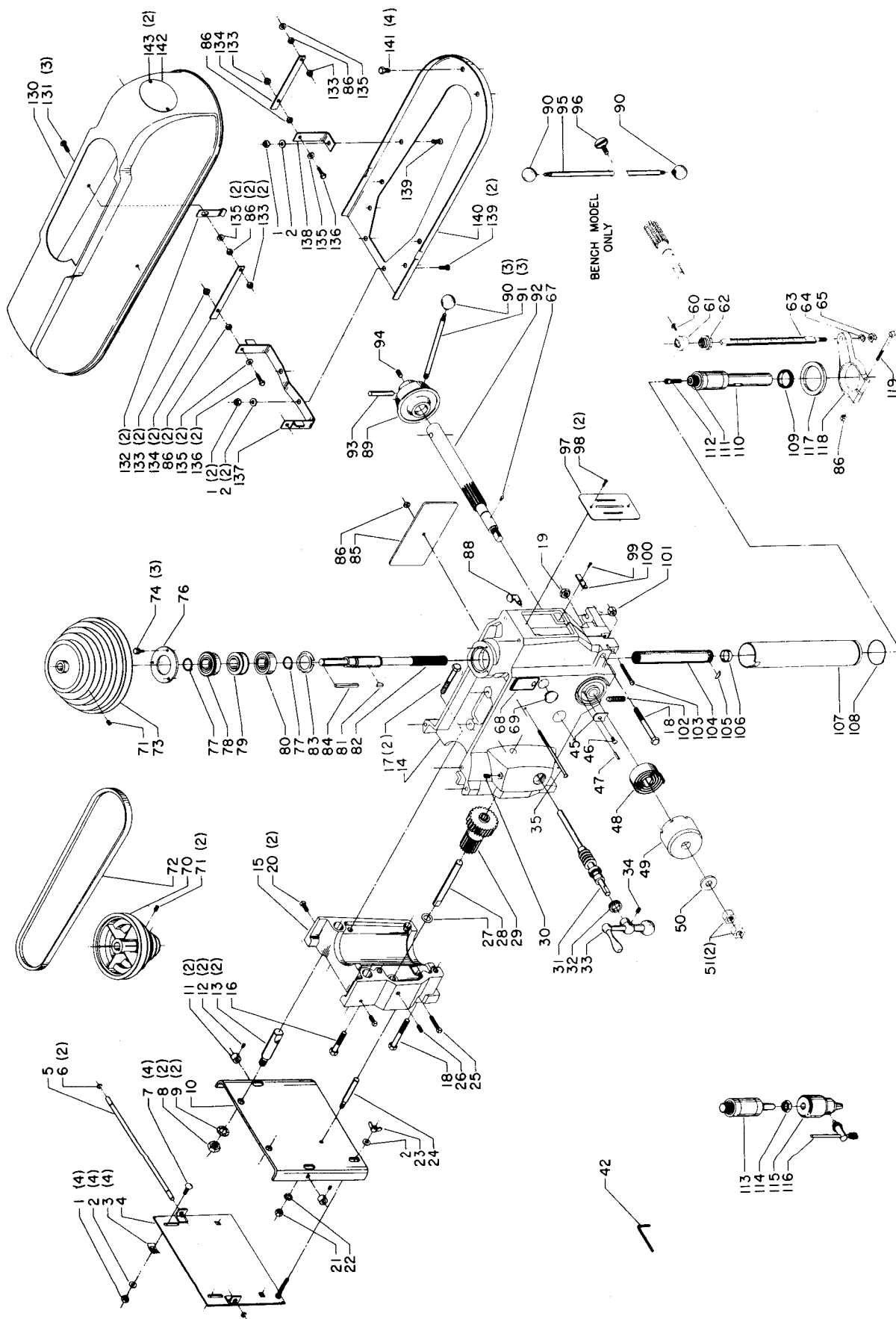


17" DRILL PRESS (OLD STYLE WITH 402-07-357-5013 HEAD CASTING, BEGINNING WITH SERIAL NO. 137-5800)

DP-10B

Revised 8-20-77

17-605, 17-606, 17-607, 17-608, 17-610, 17-611, 17-612, 17-613, 17-624, 17-625,
17-626, 17-627, 17-630, 17-631, 17-632, 17-633, 17-634, 17-635, 17-636, 17-637

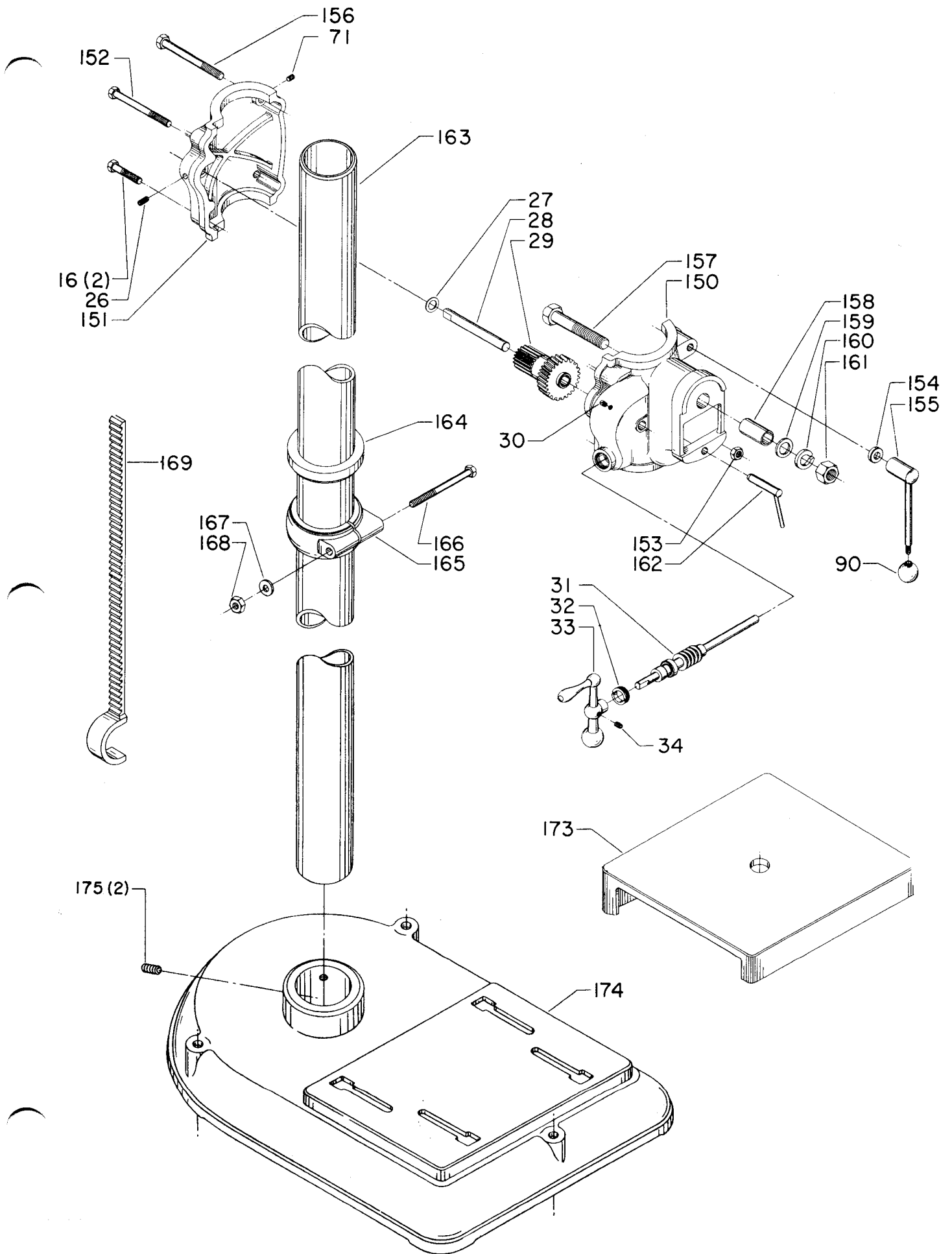


Replacement Parts

Ref. No.	Part No.	Description	Ref. No.	Part No.	Description
1	902-01-010-1300	5/16" Hex Nut	72	49-025	Slo-Speed V-Belt
2	904-01-010-1620	11/32 x 11/16 x 1/16" Washer	72	49-051	Hi-Speed V-Belt
3	902-03-000-2951	Speed Nut	73	926-06-991-4686	Slo-Speed Pulley, Incl:
4	1200037	Motor Plate	71	901-04-190-0201	5/16-18 x 5/16" Set Screw
5	402-07-106-5006	Shaft	73	926-06-991-4688	Hi-Speed Pulley, Incl:
6	904-15-011-7105	Retaining Ring	71	901-04-190-0201	5/16-18 x 5/16" Set Screw
7	901-11-020-0834	5/16-18 x 3/4" Carriage Bolt	74	901-20-241-6107	Hex Hd. Washer Mch. Scr.
8	902-01-020-1226	5/8-18 Hex Jam Nut	76	402-07-072-5006	Cover Plate
9	904-03-020-1674	5/8" Int. Tooth Lockwasher	*	402-07-406-5002	Spindle Shaft, Const. of:
10	1200036	Plate	77	904-15-010-7025	Retaining Ring
11	904-10-021-3834	Collar	78	920-04-021-5116	Bearing
12	901-04-150-0208	1/4-20 x 1/4" Set Screw	79	926-01-051-6349	Pulley
13	402-07-071-5003	Pin	80	920-04-020-5360	Bearing
14	402-07-357-5013	Head Casting, Incl:	81	927-01-010-2600	Key
15	402-07-020-5004	Cap	82	402-07-106-5005	Spindle
16	901-01-060-0615	7/16-14 x 1-3/4" Cap Screw	83	928-06-010-7352	Spring Washer
17	901-01-060-3114	7/16-14 x 2-1/2" Cap Screw	84	927-03-010-2661	3/16 x 3/16" Key
18	901-01-060-0633	7/16-14 x 3-1/4" Cap Screw	85	402-07-072-5001	Cover Plate
19	902-01-010-5437	7/16-14 Hex Nut	86	902-01-120-1034	1/4-20 Hex Jam Nut
20	901-04-020-0308	5/16-18 x 3/4" Sq. Hd. Set Scr.	88	907-01-050-5239	Oiler
21	902-01-020-1270	3/8-24 Hex Jam Nut	89	11-969	Hub, Incl:
22	904-03-020-1767	3/8" Int. Tooth Lockwasher	90	931-01-011-3519	Ball
23	902-04-010-1403	5/16-18 Wing Nut	91	1202603	Stud
24	Cannot Furnish	Pin	92	402-07-406-5014	Pinion Shaft, Incl:
25	901-04-020-0303	5/16-18 x 1-1/4" Set Scr.	**	928-01-021-3378	Spring
26	901-04-190-0207	5/16-18 x 1/2" Set Screw	**	921-01-010-0028	Steel Ball
27	904-07-010-5575	5/16 x 1 x 1/32" Washer	93	905-04-041-1363	Pin
28	402-05-106-5010	Compound Gear Shaft	94	901-04-150-1145	3/8-24 x 1/2" Set Screw
29	402-07-051-5002	Compound Gear	95	402-05-108-5004	Rod
30	901-04-080-0103	5/16-18 x 1/4" Set Screw	96	901-04-260-1523	3/8-24 Thumb Screw
31	402-05-406-5008	Worm Shaft	97	402-04-031-5002	Cover
32	902-07-030-7179	Bearing Closure Spanner Nut	98	901-06-120-3019	#6-32 x 1/2" Self-Tapping Scr.
33	930-05-991-4787	Ball Crank, Incl:	99	901-06-120-3016	#6-32 x 7/16" Self-Tapping Scr.
34	901-04-150-0206	5/16-18 x 5/16" Set Screw	100	438-01-021-0081	Plate
35	901-02-010-0912	1/4-20 x 4-1/2" Rd. Hd. Screw	101	902-01-200-9706	1/4-20 Special Hex Nut
42	955-03-020-2168	5/32" Hex Wrench	102	402-07-112-5001	Special Screw
45	401-02-079-5001	Retainer	103	901-03-013-1026	1/4-20 x 1-3/4" Fil. Hd. Scr.
46	901-03-040-8015	1/4-20 x 1/2" Hex Soc. But. Hd. Scr.	*	402-07-377-5001	Quill Assembly (#2 Morse Taper)
47	905-01-010-6715	3/16 x 5/8" Roll Pin	104	402-05-105-5004	Sleeve
48	928-08-011-5876	Spring	105	927-01-201-3720	Key
49	401-01-031-5001	Spring Housing	106	904-15-021-4139	Garter Spring
50	904-01-010-1608	5/8 x 1-1/2 x .109" Washer	107	402-07-077-5001	Quill
51	902-01-020-1226	5/8-18 Hex Jam Nut	108	904-15-021-4138	Ring
*	402-07-388-5002	Stop Assembly, Incl:	109	902-07-020-7176	Bearing Closure Nut
60	901-04-260-1534	#6-32 x 1/4" Fl. Pt. Thumb Scr.	110	402-05-301-5006	Lower Spindle (#2 Morse Taper), Incl:
61	402-04-012-5001	Body	111	402-07-051-5005	Pinion Gear
62	402-04-088-5005	Stop	112	901-03-010-0750	5/16-18 x 1" Soc. Hd. Cap Scr.
63	402-07-108-5004	Rod	*	402-07-377-5002	Quill & Lower Spindle (1/2" Chuck), Incl:
64	904-02-020-1704	3/8" Lockwasher	104	402-05-105-5004	Sleeve
65	902-01-020-5433	3/8-16 Hex Jam Nut	105	927-01-201-3720	Key
86	902-01-120-1034	1/4-20 Hex Nut	106	904-15-021-4139	Garter Spring
118	402-07-014-5002	Bracket	107	402-07-077-5001	Quill
119	901-11-011-1453	1/4-20 x 2-1/2" Sq. Hd. Scr.	108	904-15-021-4138	Ring
67	952-01-121-3274	Spring Pin	109	902-07-020-7176	Bearing Closure Nut
68	960-03-010-2413	Lubrication Plate	113	402-07-301-5001	Lower Spindle (1/2" Chuck), Incl:
69	961-01-010-7473	Plug	114	902-01-200-9847	Spindle Nut
70	41-812	1/2" Bore Slo-Speed Motor	115	956-01-011-4153	1/2" Chuck
71	901-04-190-0201	Pulley, Incl:	116	955-03-081-3717	Key for Chuck
70	41-813	5/16-18 x 5/16" Set Screw	117	904-07-061-2942	Bumper
71	901-04-190-0201	5/8" Bore Slo-Speed Motor	118	402-07-014-5002	Bracket
70	41-814	Pulley, Incl:	119	901-11-011-1453	1/4-20 x 2-1/2" Sq. Hd. Screw
71	901-04-190-0201	5/16-18 x 5/16" Set Screw	130	402-07-054-5002	Upper Guard
70	41-815	3/4" Bore Slo-Speed Motor	131	901-02-120-7504	1/4-20 x 5/8" Truss Hd. Scr.
71	901-04-190-0201	Pulley, Incl:	132	928-09-010-7398	Spring Clip
70	41-815	5/16-18 x 5/16" Set Screw	133	902-01-210-1079	1/4-20 Hex Lock Nut
71	901-04-190-0201	7/8" Bore Slo-Speed Motor	134	402-07-059-5002	Hinge
70	41-822	Pulley, Incl:	135	904-01-010-1614	9/32 x 5/8 x 1/16" Washer
71	901-04-190-0201	5/16-18 x 5/16" Set Screw	136	901-01-060-0626	1/4-20 x 3/4" Hex Hd. Cap Scr.
70	41-823	1/2" Bore Hi-Speed Motor	137	401-04-314-5010	Rear Bracket
71	901-04-190-0201	Pulley, Incl:	138	401-04-014-5007	Front Bracket
70	41-823	5/16-18 x 5/16" Set Screw	139	901-02-010-0506	5/16-18 x 5/8" Rd. Hd. Scr.
71	901-04-190-0201	5/8" Bore Hi-Speed Motor	140	402-07-054-5001	Lower Guard
70	41-824	Pulley, Incl:	141	901-01-060-0629	5/16-18 x 3/8" Hex Hd. Cap Scr.
71	901-04-190-0201	5/16-18 x 5/16" Set Screw	142	Nameplate	By Request Only
70	41-824	3/4" Bore Hi-Speed Motor	143	901-05-381-7352	#4 x 1/4" Self-Tapping Scr.
71	901-04-190-0201	Pulley, Incl:			
70	42-825	5/16-18 x 5/16" Set Screw			
71	901-04-190-0201	7/8" Bore Hi-Speed Motor			
70	42-825	Pulley, Incl:			
71	901-04-190-0201	5/16-18 x 5/16" Set Screw			

* Not Shown Assembled

** Not Shown



Replacement Parts

<u>Ref. No.</u>	<u>Part No.</u>	<u>Description</u>	<u>Ref. No.</u>	<u>Part No.</u>	<u>Description</u>
*	402-07-314-5001	Table Bracket, Const. of:	157	901-01-060-0630	3/4-10 x 1/2" Cap Screw
16	901-01-060-0615	7/16-24 x 1-3/4" Cap Screw	158	402-05-105-5002	Sleeve
26	901-04-190-0207	5/16-18 x 1/2" Set Screw	159	904-01-031-4954	25/32 x 1-1/4 x 3/32" Washer
27	904-07-010-5575	5/8 x 1 x 1/32" Washer	160	904-02-020-1707	3/4" Lockwasher
28	402-05-106-5010	Compound Gear Shaft	161	902-01-010-1245	3/4-10 Hex Nut
29	402-07-051-5002	Compound Gear	162	402-05-371-5002	Index Pin
30	901-04-080-0103	5/16-18 x 1/4" Set Screw	163	17-763	Column (Floor Model)
31	406-05-406-5008	Worm Shaft	163	17-764	Column (Bench Model)
32	902-07-030-7179	Bearing Closure Spammer Nut	164	920-52-991-3936	Rack Thrust Bearing
33	930-05-991-4787	Ball Crank, Incl:	165	402-05-389-5001	Collar, Incl:
34	901-04-150-0206	5/16-18 x 5/16" Set Screw	166	901-01-060-0631	7/16-14 x 4" Hex Hd. Cap Scr.
71	901-04-190-0201	5/16-18 x 5/16" Set Screw	167	904-10-031-2097	29/64 x 1 x 1/8" Washer
150	402-07-014-5006	Bracket	169	402-07-351-5001	Gear Rack
151	402-07-020-5003	Cap	173	402-05-091-5001	Table
152	901-01-060-0637	7/16-14 x 3-3/4" Cap Scr.	174	402-07-005-5001	Base
153	902-01-010-5438	7/16" Hex Jam Nut	175	901-04-150-1124	1/2-13 x 3/4" Soc. Hd. Set Scr
154	904-10-031-3893	33/64 x 1 x 3/16" Collar			
155	402-05-327-5002	Clamp Handle, Incl:			
90	931-01-011-3519	Ball			
156	901-01-060-0643	1/2-13 x 3" Hex Hd. Cap Scr.			

* Not Shown Assembled