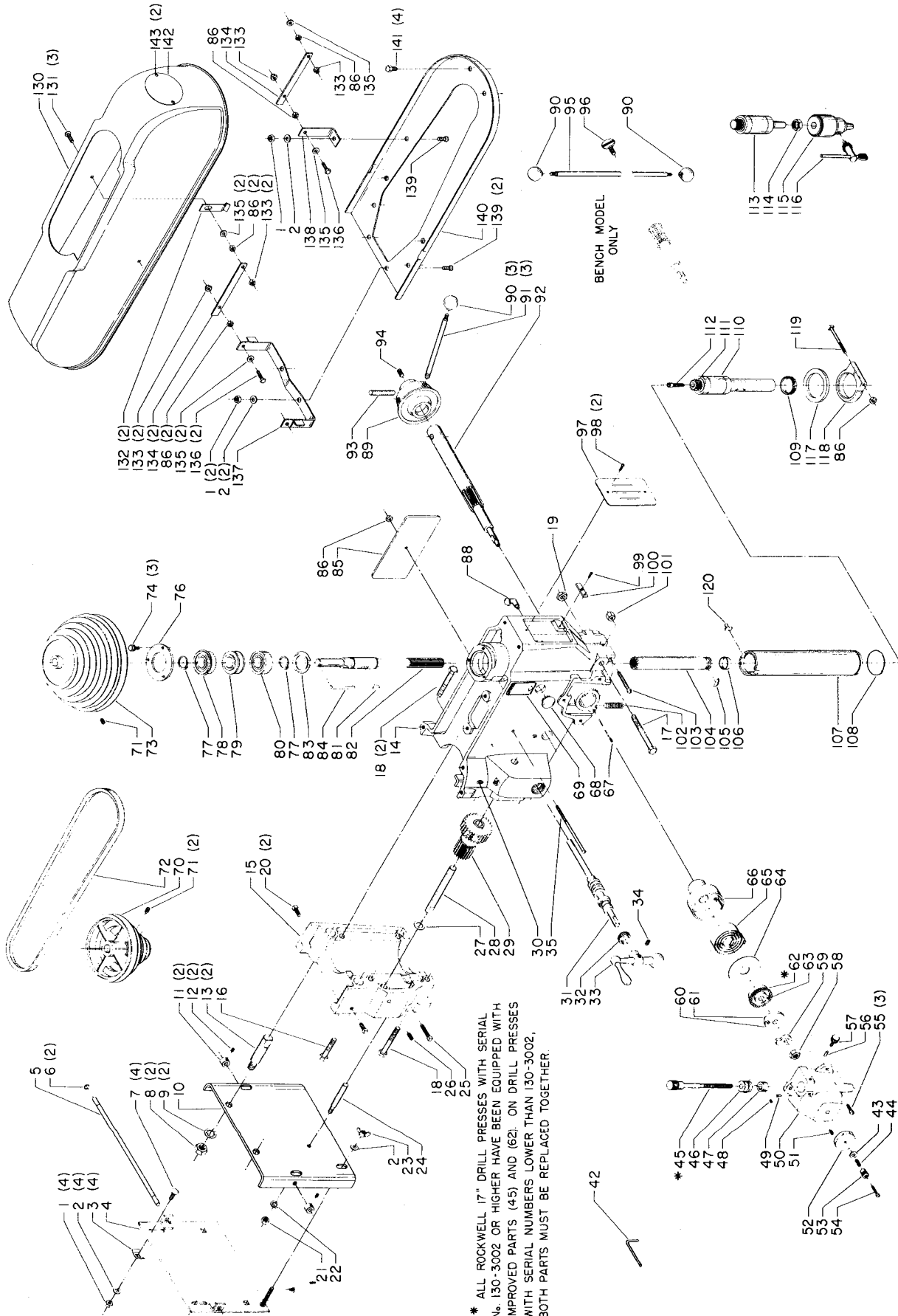
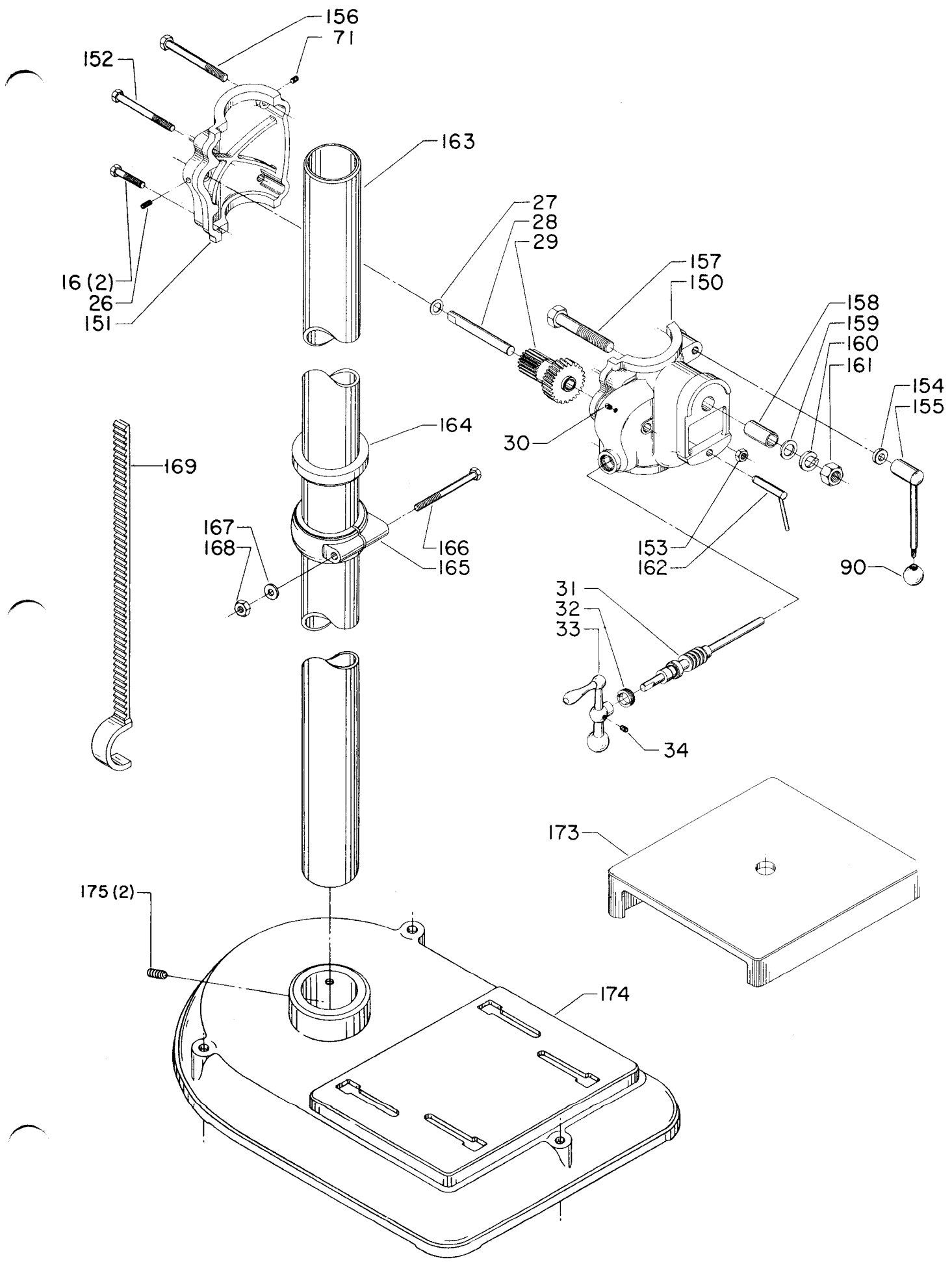


17-605, 17-606, 17-607, 17-608, 17-610, 17-611, 17-612, 17-613, 17-624, 17-625
17-626, 17-627, 17-630, 17-631, 17-632, 17-633, 17-634, 17-635, 17-636, 17-637



* ALL ROCKWELL 17" DRILL PRESSES WITH SERIAL No. 130-3002 OR HIGHER HAVE BEEN EQUIPPED WITH IMPROVED PARTS (45) AND (62). ON DRILL PRESSES WITH SERIAL NUMBERS LOWER THAN 130-3002, BOTH PARTS MUST BE REPLACED TOGETHER.



Replacement Parts

<u>Ref. No.</u>	<u>Part No.</u>	<u>Description</u>	<u>Ref. No.</u>	<u>Part No.</u>	<u>Description</u>
*	402-07-314-5001	Table Bracket, Const. of:	157	901-01-060-0630	3/4-10 x 1/2" Cap Screw
16	901-01-060-0615	7/16-24 x 1-3/4" Cap Screw	158	402-05-105-5002	Sleeve
26	901-04-190-0207	5/16-18 x 1/2" Set Screw	159	904-01-031-4954	25/32 x 1-1/4 x 3/32" Washer
27	904-07-010-5575	5/8 x 1 x 1/32" Washer	160	904-02-020-1707	3/4" Lockwasher
28	402-05-106-5010	Compound Gear Shaft	161	902-01-010-1245	3/4-10 Hex Nut
29	402-07-051-5002	Compound Gear	162	402-05-371-5002	Index Pin
30	901-04-080-0103	5/16-18 x 1/4" Set Screw	163	17-763	Column (Floor Model)
31	406-05-406-5008	Worm Shaft	163	17-764	Column (Bench Model)
32	902-07-030-7179	Bearing Closure Spammer Nut	164	920-52-991-3936	Rack Thrust Bearing
33	930-05-991-4787	Ball Crank, Incl:	165	402-05-389-5001	Collar, Incl:
34	901-04-150-0206	5/16-18 x 5/16" Set Screw	166	901-01-060-0631	7/16-14 x 4" Hex Hd. Cap Scr.
71	901-04-190-0201	5/16-18 x 5/16" Set Screw	167	904-10-031-2097	29/64 x 1 x 1/8" Washer
150	402-07-014-5006	Bracket	169	402-07-351-5001	Gear Rack
151	402-07-020-5003	Cap	173	402-05-091-5001	Table
152	901-01-060-0637	7/16-14 x 3-3/4" Cap Scr.	174	402-07-005-5001	Base
153	902-01-010-5438	7/16" Hex Jam Nut	175	901-04-150-1124	1/2-13 x 3/4" Soc. Hd. Set Scr.
154	904-10-031-3893	33/64 x 1 x 3/16" Collar			
155	402-05-327-5002	Clamp Handle, Incl:			
90	931-01-011-3519	Ball			
156	901-01-060-0643	1/2-13 x 3" Hex Hd. Cap Scr.			

* Not Shown Assembled