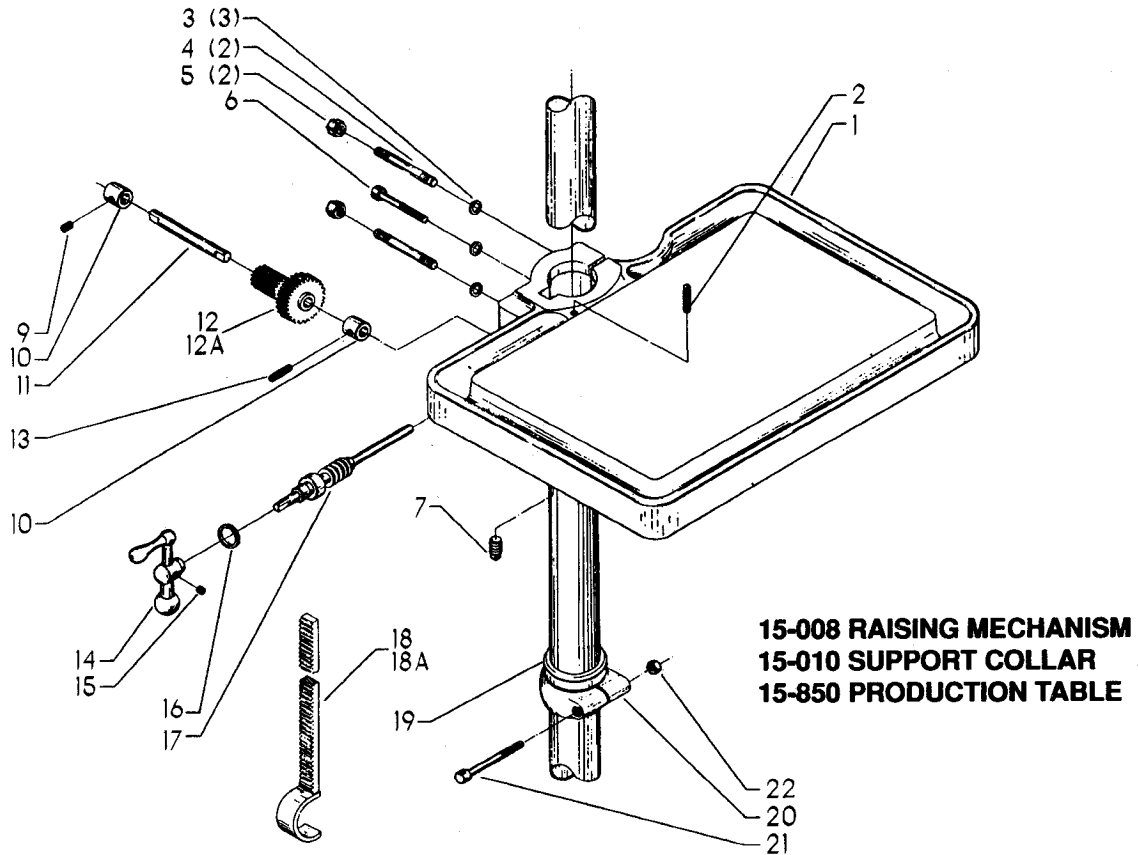


15" DRILL PRESS ACCESSORIES
15-008 RAISING MECHANISM
15-010 SUPPORT COLLAR
15-030 HEAD COUNTER BALANCE
15-820 FOOT FEED
15-840 MORTISING ATTACHMENT
15-850 PRODUCTION TABLE



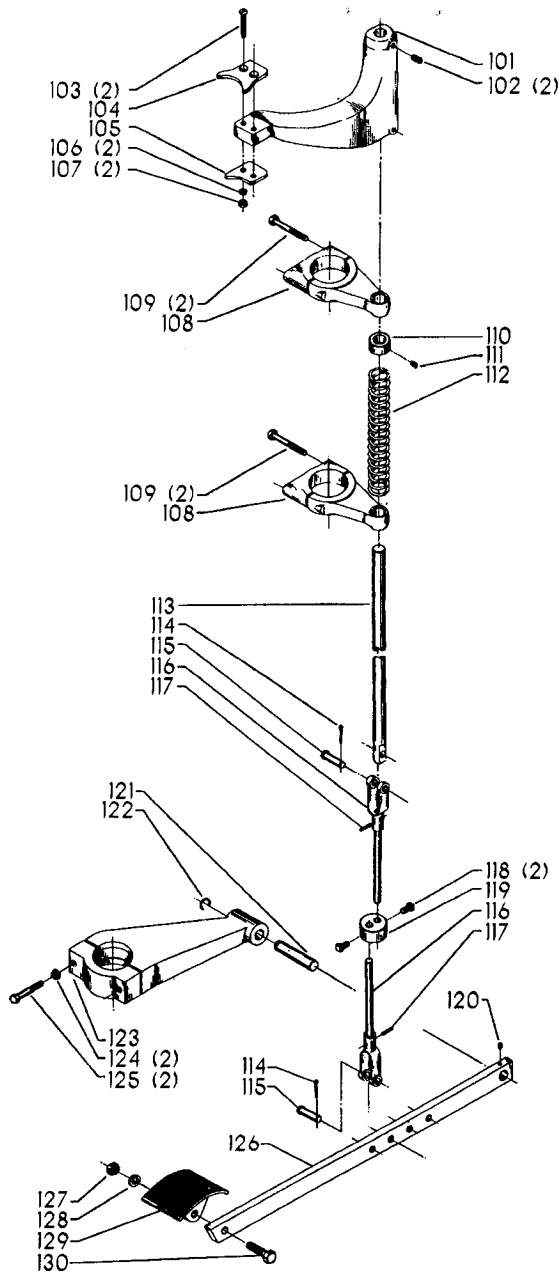
REPLACEMENT PARTS

| REF NO | PART NUMBER | DESCRIPTION | REF NO | PART NUMBER | DESCRIPTION |
|--------|-----------------|--|--------|---------------------|--|
| 1 | 15-850 | PRODUCTION TABLE, INCL: | 13 | 901-04-150-0292 | 5/16-18 X 1 1/4" HEX SOC SET SCREW |
| 2 | 901-04-150-0205 | 5/16-18 X 1/4" HEX SOC SET SCREW | 14 | 930-05-991-4787 | BALL CRANK, INCL: |
| 3 | 904-01-031-2925 | FLAT WASHER | 15 | 901-04-150-0206 | 5/16-18 X 5/16" HEX SOC SET SCREW |
| 4 | 901-07-261-3239 | STUD | 16 | 902-07-020-7174 | 13/32-24 BEARING NUT |
| 5 | 902-01-040-1004 | 7/16-14 JAM NUT | 17 | 402-05-406-5007 | WORM SHAFT ASSY |
| 6 | 901-01-060-0632 | 7/16-14 X 2 3/4" HEX HD SCREW | 18 | 402-07-351-5001 | GEAR RACK - .415" THICK (Current Models Only, See Service Note A) |
| 7 | 906-00-000-2439 | PIPE PLUG | 18A | 402-05-351-5003 | RACK W/HOOK - .500" THICK (Early Models Only, See Service Note A) |
| * | 15-008 | RAISING MECHANISM, CONST OF: | 19 | 920-52-991-3932 | BEARING |
| 9 | 901-04-190-0207 | 5/16-18 X 1/2" HEX SOC SET SCREW | 20 | 15-010 | SUPPORT COLLAR, INCL: |
| 10 | 904-10-021-4532 | BUSHING | 21 | 901-01-060-0641 | 1/4-20 X 3 1/2" HEX HD SCREW |
| 11 | 402-02-106-5004 | SHAFT | 22 | 902-01-040-1004 | 7/16-14 JAM NUT |
| 12 | 402-07-051-5002 | COMPOUND GEAR (Current Models Only, See Service Note A) | | | |
| 12A | 402-05-051-5010 | COMPOUND GEAR (Early Models Only, See Service Note A) | | | |
| | | | * | NOT SHOWN ASSEMBLED | |

SERVICE NOTES:

A - Current Model Compound Gear and Rack are not interchangeable with corresponding parts of Early Model raising mechanism. If replacement becomes necessary, measure thickness of present rack to determine which part or combination of parts to order. Current Model raising mechanisms require the use of part no 402-07-051-5002, compound gear (Ref No 12) and/or part no 402-07-351-5001, .415" thick rack (Ref No 18) Early Models require the use of part no 402-05-051-5010, compound gear (Ref No 12A) and/or part no 402-05-351-5003, .500" thick rack (Ref No 18A).

**15-820
FOOT FEED**

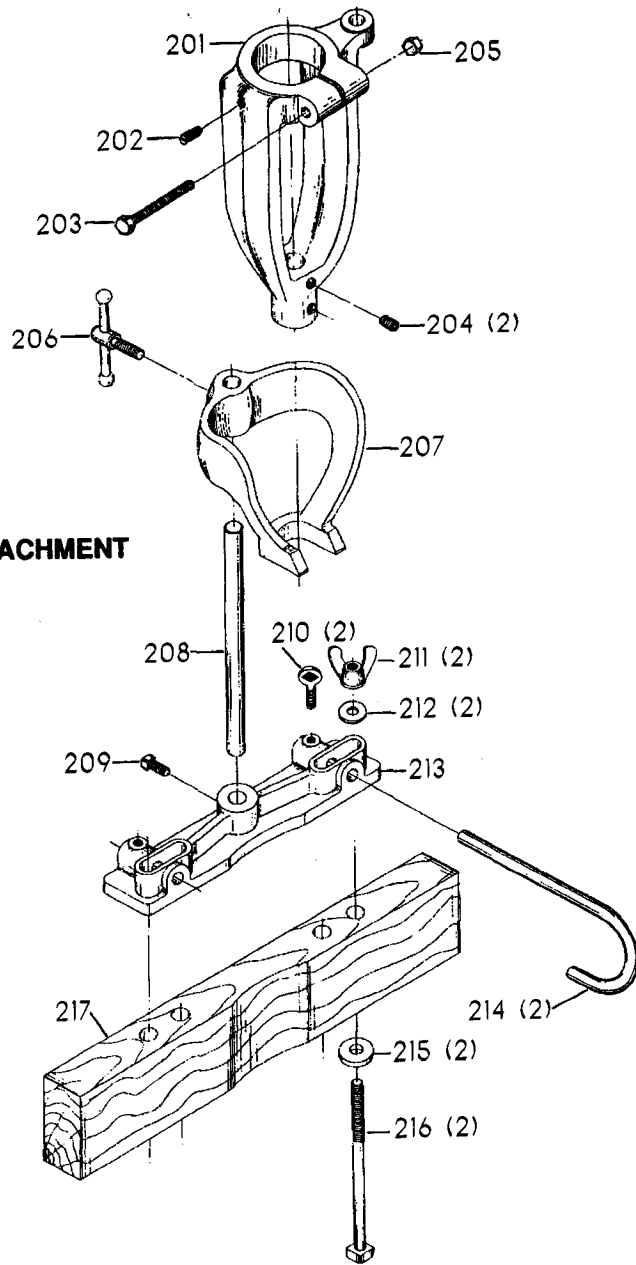


REPLACEMENT PARTS

| REF NO | PART NUMBER | DESCRIPTION | REF NO | PART NUMBER | DESCRIPTION |
|--------|-----------------|-----------------------------------|--------|-----------------|---------------------------------|
| * | 15-820 | FOOT FEED, CONST OF: | 116 | 402-04-402-5001 | CLEVIS & ROD, INCL: |
| 101 | 402-04-014-5009 | SHIFTER BRACKET | 117 | 905-01-010-2718 | 3/16" X 3/4" SPRING PIN |
| 102 | 901-04-150-1112 | 3/8-16 X 1/2" HEX SOC SET SCREW | 118 | 901-04-020-0312 | 3/8-16 X 1/2" HEX SOC SET SCREW |
| 103 | 901-02-030-0405 | 5/16-18 X 1 3/4" FLAT HD SCREW | 119 | 904-10-241-4502 | CONNECTING COLLAR |
| 104 | 402-02-072-5003 | UPPER FLINGER PLATE | 120 | 901-04-150-0208 | 1/4-20 X 1/4" HEX SOC SET SCREW |
| 105 | 402-04-072-5003 | LOWER FLINGER PLATE | 121 | 402-04-071-5003 | PIN |
| 106 | 904-02-010-1703 | 5/16" LOCK WASHER | 122 | 904-15-010-7041 | EXT RET RING |
| 107 | 902-01-010-1300 | 5/16-18 HEX NUT | 123 | 402-04-314-5010 | FOOT LEVER BRACKET, INCL: |
| 108 | 402-04-314-5009 | SUPPORT COLLAR, INCL: | 124 | 904-02-020-1704 | 3/8" LOCK WASHER |
| 109 | 901-01-060-0644 | 3/8-16 X 2 1/2" HEX HD SCREW | 125 | 901-01-060-0646 | 3/8-16 X 2" HEX HD SCREW |
| 110 | 904-10-991-5961 | SET COLLAR, INCL: | 126 | 402-04-067-5001 | TREADLE LEVER |
| 111 | 901-04-150-0206 | 5/16-18 X 5/16" HEX SOC SET SCREW | 127 | 902-01-010-1282 | 1/2-13 HEX NUT |
| 112 | 928-01-601-8883 | COIL SPRING | 128 | 904-02-020-1705 | 1/2" LOCK WASHER |
| 113 | 402-04-108-5002 | ROD | 129 | 402-05-067-5006 | TREADLE |
| 114 | 905-05-040-2108 | 1/8" X 1" COTTER PIN | 130 | 901-01-060-3120 | 1/2-13 X 1 3/4" HEX HD SCREW |
| 115 | 905-06-001-3149 | STEEL PIN | | | |

* NOT SHOWN ASSEMBLED

**15-840
MORTISING ATTACHMENT**

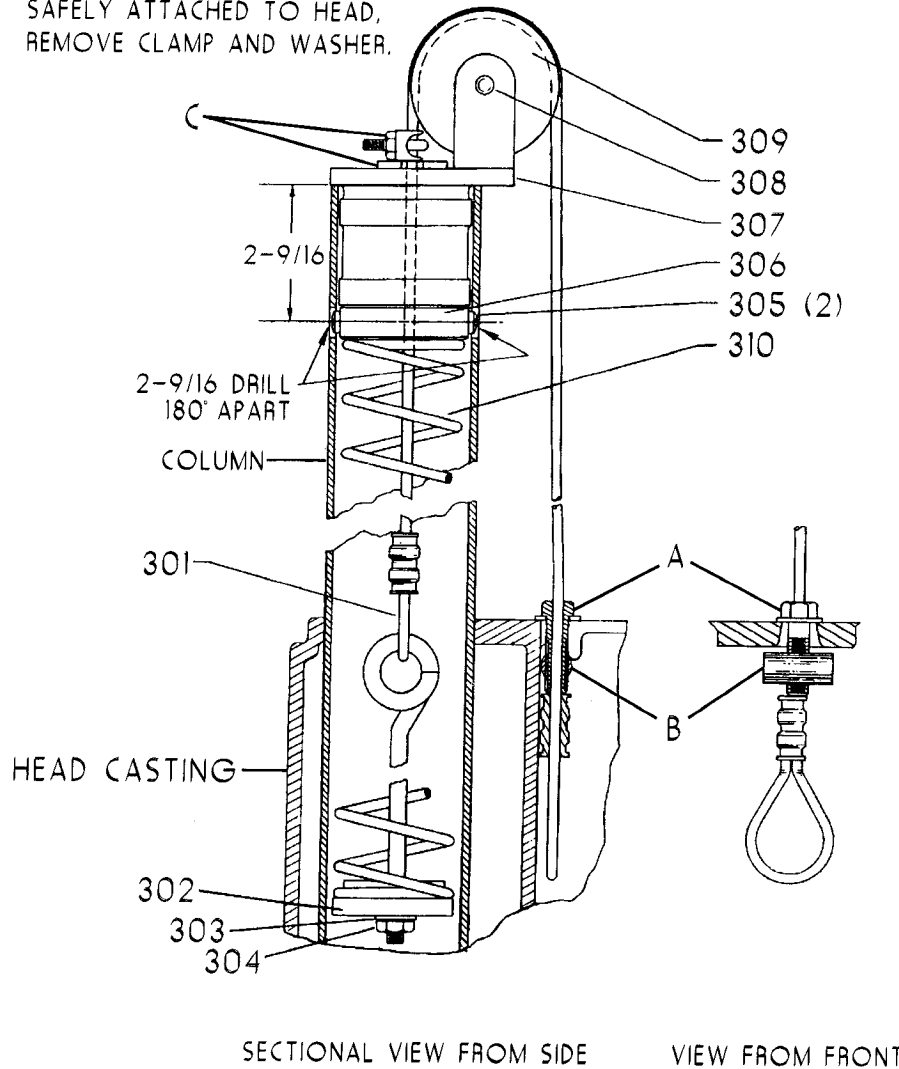


REPLACEMENT PARTS

| REF NO | PART NUMBER | DESCRIPTION |
|---------------|--------------------|-----------------------------------|
| * | 15-840 | MORTISING ATTACHMENT, CONST OF: |
| 201 | 402-04-301-5001 | BRACKET, INCL: |
| 202 | 901-04-090-0112 | #10-32 X 1/2" HEX SOC SET SCREW |
| 203 | 901-01-060-0622 | 1/4-20 X 2" HEX HD SCREW |
| 204 | 901-04-190-0201 | 5/16-18 X 5/16" HEX SOC SET SCREW |
| 205 | 902-01-200-9706 | 1/4-20 HEX NUT |
| 206 | 931-04-991-3453 | LOCK BOLT |
| 207 | 402-04-014-5004 | ARM |
| 208 | 905-04-071-4458 | 1/2 X 4 7/8" DOWEL PIN |
| 209 | 901-04-150-0208 | 1/4-20 X 1/4" HEX SOC SET SCREW |
| 210 | 901-04-260-1505 | 1/4-20 X 1/2" THUMB SCREW |
| 211 | 902-04-010-1403 | 5/16-18 WING NUT |
| 212 | 904-01-010-1620 | FLAT WASHER |
| 213 | 402-02-014-5004 | ROD BRACKET |
| 214 | 402-02-108-5006 | CURVED ROD |
| 215 | 904-10-031-2093 | WASHER |
| 216 | 901-11-010-6039 | 5/16-18 X 4 1/2" SQUARE HD SCREW |
| 217 | 402-02-043-5001 | FENCE |

**15-030
HEAD COUNTERBALANCE**

NOTE:
WHEN COUNTERBALANCE IS
SAFELY ATTACHED TO HEAD,
REMOVE CLAMP AND WASHER.



SECTIONAL VIEW FROM SIDE VIEW FROM FRONT

REPLACEMENT PARTS

| REF NO | PART NUMBER | DESCRIPTION | REF NO | PART NUMBER | DESCRIPTION |
|--------|-----------------|--------------------------------|--------|-----------------|--------------------------|
| | 15-030 | HEAD COUNTERBALANCE, CONST OF: | 306 | 402-04-079-5002 | RETAINER |
| 301 | 402-02-381-5001 | CABLE & EYEBOLT ASSY, INCL: | 307 | 402-02-014-5002 | BRACKET |
| 302 | 402-02-072-5004 | PLATE | 308 | 905-01-010-2728 | 3/8" X 1 1/4" SPRING PIN |
| 303 | 904-01-010-1620 | FLAT WASHER | 309 | 926-01-061-2311 | PULLEY |
| 304 | 902-01-010-1300 | 5/16-18 HEX NUT | 310 | 928-01-041-4142 | COIL SPRING |
| 305 | 402-04-112-5002 | SCREW | | | |

STANDARD SAFETY EQUIPMENT

In order to promote tool safety, Delta International Machinery Corp. strictly enforces the policy of repairing or replacing any damaged or missing standard safety equipment on machines presented to Delta Authorized Service Center for service/repairs. Any product which is presented to a Delta Authorized Service Center for repairs which contains missing or damaged standard safety equipment will have that equipment repaired or replaced and the customer will be charged for any such service/repairs. Customers can avoid such charges only if the missing safety component is supplied to the service center at the time of repair.

This parts list is provided to aid in obtaining service parts. Copies of the instruction and maintenance literature can be obtained through the Delta Technical Publications Department or through your local service outlet.