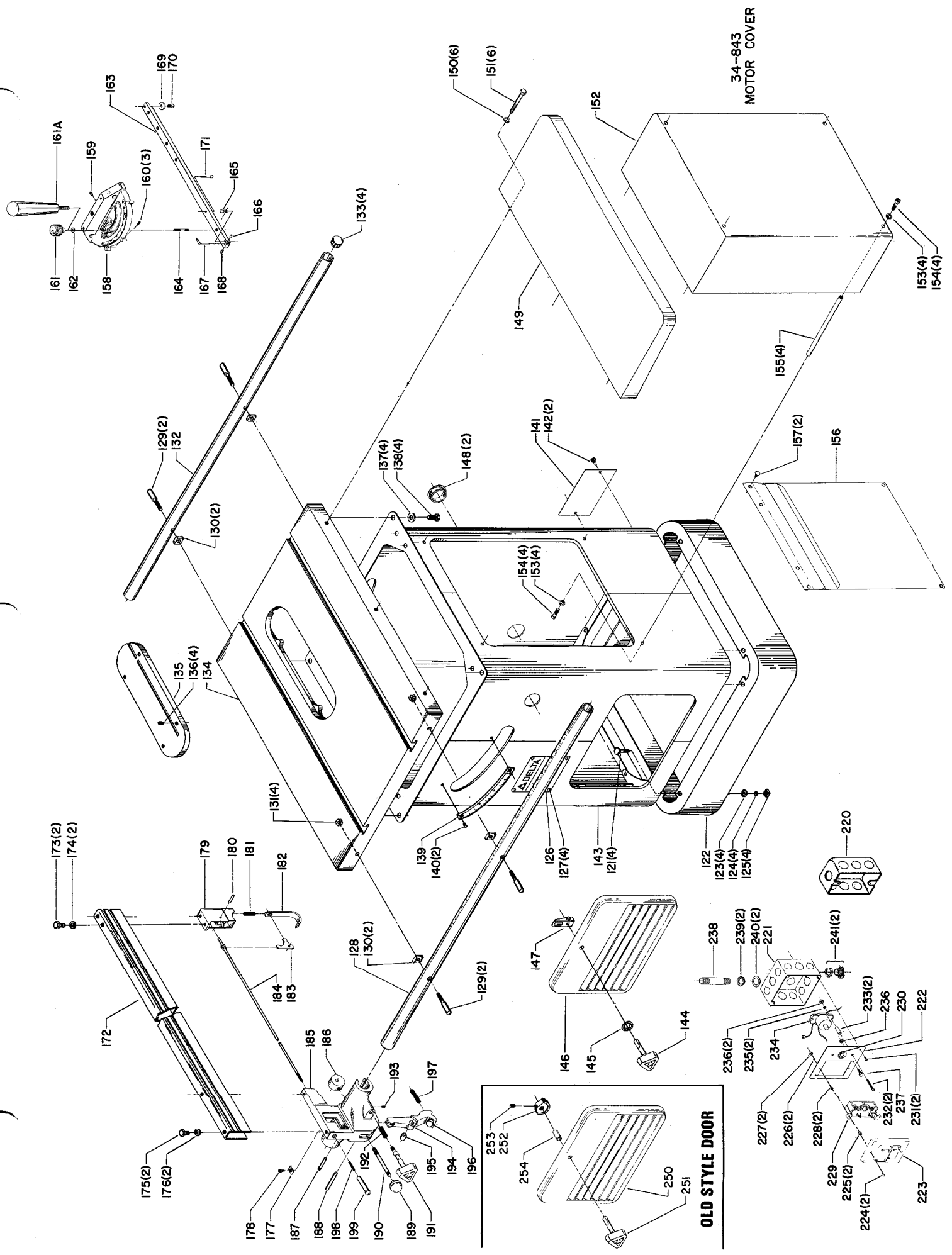


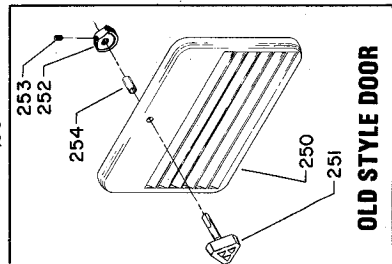
REPLACEMENT PARTS

REF. NO.	PART NO.	DESCRIPTION	REF. NO.	PART NO.	DESCRIPTION
*	422-04-314-5003	Arbor Bracket, Const. of:	*	422-04-406-5002	Raising Shaft Assy, Const. of:
1	422-04-303-0003	Arbor and Flange	50	422-04-074-0001	Lock Pin
2	927-03-020-2660	3/16 x 3/16 x 1 1/2" Key	51	422-04-412-0007	Lock Knob
3	1086894	Bearing	52	904-01-021-3577	Fiber Washer
4	928-06-020-7382	Bearing Load Spring	53	905-01-010-2715	3/16 x 1 1/8" Roll Pin
5	422-04-104-0002	Bearing Spacer	54	422-04-406-0001	Raising Shaft w/Worm, Incl:
6	926-03-991-2328	Arbor Pulley, Incl:	55	902-01-210-1036	3/4-16 Hex Nut
7	0908653	5/16-18 x 3/8" Hex Soc Set Screw	56	434-01-404-0001	Collar, Incl:
8	902-07-020-7176	Spanner Nut	57	901-04-190-0201	5/16-18 x 5/16" Hex Soc Set Screw
9	904-05-010-6664	Lockwasher	58	927-03-010-2650	3/16 x 3/16 x 1 3/8" Key
10	902-01-200-9847	Bearing Nut	59	901-01-060-0663	5/16-24 x 3/4" Hex Hd Cap Screw
11	902-01-200-9848	5/8-12 Arbor Nut	60	902-01-020-1228	5/16-24 Hex Jam Nut
12	422-04-103-5001	Arbor Flange	61	904-02-020-1704	3/8" Lockwasher
13	422-04-314-5002	Arbor Bracket, Incl:	62	905-01-010-2734	5/16 x 1" Roll Pin
14	904-02-020-1704	3/8" Lockwasher	63	901-01-060-0682	3/8-16 x 1/12" Hex Hd Screw
15	901-01-060-3102	3/8-16 x 1 3/4" Hex Hd Cap Screw	64	422-04-395-5001	Front Trunnion, Incl:
16	34-105	10" Combination Saw Blade	65	920-75-011-3935	Bearing
17	927-03-010-2653	1/4 x 1/4 x 1 15/16" Key	70	901-01-060-0682	3/8-24 x 1 1/2" Hex Hd Cap Screw
18	422-04-314-5004	Motor Bracket w/Shaft, Including:	71	422-04-014-5001	Front Trunnion Brkt
19	928-06-011-4127	Bearing Load Spring	72	904-02-020-1704	3/8" Lockwasher
20	927-03-010-2657	1/4 x 1/4 x 2 15/16" Key (Early Models Only)	73	902-01-010-1207	3/8-24 Hex Nut
20A	905-02-013-1470	Pin (Current Models Only)	74	930-03-991-0468	Handwheel, Incl:
25	49-124	Matched Set of Three V-Belts	75	901-04-190-0201	5/16-18 x 5/16" Hex Soc Set Screw
26	41-644	Motor Pulley, Including:	80	422-04-406-5001	Tilting Shaft w/Worm, Incl:
27	0908653	5/16-18 x 3/8 Hex Soc Set Screw w/Nylon Insert	81	904-10-031-4509	Collar
30	904-10-031-2097	Special Steel Washer	82	904-01-021-3577	5/8" Fiber Washer
31	901-01-060-0664	7/16-20 x 1" Hex Hd Cap Screw	83	905-01-010-2715	3/16 x 1 1/8" Roll Pin
32	422-04-071-5001	Pin	84	422-04-074-0001	Lock Pin
33	422-04-079-5001	Spring Clip	85	422-04-412-0007	Lock Knob
34	422-04-036-5001	Dust Deflector	86	904-07-010-5569	3/4" Fiber Washer
35	422-04-104-5005	Spacer	87	901-03-010-0750	5/16-18 x 1" Soc Hd Cap Screw
36	901-01-060-0613	5/16-18 x 1 3/4" Hex Hd Screw	88	422-04-031-5001	Shield Plate
37	422-04-102-5001	Yoke	89	422-04-075-5001	Pointer
38	422-04-014-5002	Rear Trunnion Bracket	90	901-03-043-1191	5/16-18 x 1/2" Button Hd Screw
39	901-01-060-0682	3/8-16 x 1 1/2" Hex Hd Screw	91	422-04-014-5008	Pointer Bracket
40	904-02-020-1704	3/8" Lockwasher	92	0919714	#8-32 x 2" Fill Hd Mach Screw
41	901-01-060-0682	3/8-24 x 1 1/2" Hex Hd Cap Screw	93	904-07-010-5569	3/4" Fiber Washer
42	904-02-020-1704	3/8" Lockwasher	94	930-03-991-0468	Handwheel, Incl:
43	902-01-010-1207	3/8-24 Hex Nut	95	901-04-190-0201	5/16-18 x 5/16" Hex Soc Set Screw
44	905-01-010-2734	5/16 x 1" Roll Pin	97	927-03-010-2650	3/16 x 3/16 x 1 3/8" Key
45	422-04-395-5002	Rear Trunnion, Including:	98	422-04-055-0006	Guide Block
46	920-75-011-3934	Bearing	99	904-10-031-2097	Special Steel Washer
			100	901-01-060-0681	7/16-20 x 1 1/2" Hex Hd Cap Screw
			101	1087708	Wrench

* NOT SHOWN ASSEMBLED



34-843
MOTOR COVER



REPLACEMENT PARTS

REF. NO.	PART NO.	DESCRIPTION	REF. NO.	PART NO.	DESCRIPTION
121	901-11-020-0834	5/16-18 x 3/4" Carriage Bolt	*	34-869	Jet-Lock Micro Set Rip Fence, Const. of:
122	1087066	Cabinet Base	172	422-04-043-0003	Fence Body
123	904-01-010-1620	5/16" Washer	173	901-01-060-0605	5/16-18 x 1/2" Hex Hd Cap Screw
124	904-02-010-1703	5/16" Lockwasher	174	904-01-010-1620	1/4" Washer
125	902-02-040-1303	5/16-18 Square Nut	175	901-01-060-0653	3/8-24 x 5/8" Slot Rd Hd Screw
126	422-04-137-0002	Nameplate	176	904-01-033-1451	Special Washer
127	1087794	Rivit	177	951-01-020-7849	Pointer
128	422-04-055-0001	Front Guide Rail	178	901-02-010-0551	#10-32 x 1/4" Slot Rd Hd Screw
129	422-04-112-5007	3/8-24 Special Screw	179	422-04-010-5002	Rear Slide Block
130	422-04-104-0001	Spacer	180	905-04-071-4459	Pin
131	902-01-010-1207	3/8-24 Hex Nut	181	928-01-041-4118	Spring
132	422-04-055-0002	Rear Guide Rail	182	422-04-027-0001	Clamp Hook
133	961-01-010-7462	Plug	183	422-04-067-5001	Lever
134	422-04-091-5001	Table	184	422-04-108-5001	Rod
135	34-154	Table Insert, Incl:	*	422-04-312-5008	Front Clamp, Const. Of:
136	901-04-461-5297	1/4-28 x 3/8" Long Lock Screw	185	422-04-012-5005	Front Clamp Body
137	904-10-031-2097	Special Steel Washer	186	422-04-042-5002	Eccentric
138	901-01-060-0680	7/16-20 x 3/4" Hex Hd Cap Screw	187	422-04-071-5005	Pin
139	951-02-010-7824	Indicator Scale	188	422-04-071-5004	Pin
140	901-06-131-7359	#6-32 x 1/4" Self Tapping Screw	189	931-01-011-4091	Ball Handle
141	1087070	Plate	190	422-04-111-5002	Clamp Lever
142	901-05-211-7379	#10A x 1/2" Hex Hd Metal Screw	191	422-04-351-5002	Knob and Pinion
143	422-04-318-0001	Cabinet Assembly, Incl: (For Current Models Only)	192	928-01-201-5898	Spring
*	422-04-403-0005	Door Assembly, Const. of:	193	901-04-160-6218	1/4-20 x 1/4" Hex Soc Set Screw
144	422-04-406-0004	Shaft w/Knob	194	422-04-327-5002	Front Clamp Shoe, Incl:
145	902-03-023-1467	Push Nut	195	904-08-021-4550	Rubber Bushing
146	422-04-331-0003	Door	196	422-04-071-0001	Pin (Early Models Only, See Service Note A)
147	422-04-068-0001	Latch	197	928-01-041-4123	Spring
148	438-01-011-0020	Insulator	198	928-01-021-5301	Spring
149	34-545	Side Extension Wings (Pair), Incl:	199	422-04-105-5001	Sleeve
150	904-02-010-1716	7/16" Split Lockwasher	220	438-01-001-0036	Switch Box (30 Only)
151	901-01-060-0681	7/16-20 x 1 1/2" Hex Hd Screw	*	422-04-626-0007	Switch/Overload Kit (10, P.B. Switch Only)
***152	34-843	Motor Cover, Incl:	221	438-01-001-0040	Box
153	904-03-020-1750	5/16" Int Tooth Lockwasher	222	438-01-021-0148	Switch Plate
154	901-03-010-0757	5/16-18 x 3/4" Soc Hd Cap Screw	223	438-01-308-0009	Switch Cover
155	422-04-104-0003	Spacer	224	901-02-010-0567	#6-32 x 1/4" Rd Hd Mach Screw
156	400-06-603-0001	Envelope	225	402-07-104-5007	Spacer Nut
157	400-06-079-0001	Retainer	226	904-03-020-1784	#6 Int. Tooth Lockwasher
*	34-895	Miter Gage, Const. Of:	227	902-01-120-9232	#6-32 Hex Nut
158	422-01-355-0004	Miter Gage Body, Incl:	228	402-07-111-5002	Stud
159	901-04-410-4561	Special Set Screw	229	438-01-017-0099	Switch
160	901-04-150-9428	#8-32 x 1/2" Hex Soc Set Screw	230	960-03-012-0433	Decal, "Push to Reset"
161	422-02-060-0001	Lock Knob (Early Models Only)	231	901-02-160-3729	#8-32 x 1/4" Pan Hd Screw
161A	422-02-060-0002	Handle (Current Models Only)	232	901-02-050-0732	#10-32 x 1 1/4" Fil Hd Mach Screw
162	904-07-010-5555	1/4" Fiber Washer	233	424-03-017-0003	Spacer
163	422-04-004-0001	Bar	234	438-01-017-0159	Overload
164	901-07-261-3237	Stud (Early Models Only)	235	904-03-020-1775	#10 Int Tooth Lockwasher
165	422-01-088-0002	Stop Link	236	902-01-120-1203	#10-32 Hex Nut
166	905-04-061-2351	Special Pin	237	901-06-423-1170	#10-32 x 5/8" Hex Hd Thd Cut'g Screw
167	422-01-075-0001	Pointer	238	906-10-010-3510	1/2" x 3" Pipe Nipple
168	901-04-410-4561	Special Set Screw	239	438-01-009-0001	Locknut
169	422-04-072-0001	Plate	240	438-01-009-0026	Adapter
170	901-02-030-5750	1/4-28 x 5/16" Flat Hd Mach Screw	241	438-01-004-0007	Clamp
171	422-01-112-0001	Special Pivot Screw	**	438-01-302-0381	Cord, 230 Volt
			**	438-01-302-0310	Cord, 115 Volt
			**	438-01-007-0009	Wire Nut
			*	422-04-403-0005	Door Assembly, Const of: (For Early Models Only)
			250	422-04-331-0003	Door
			251	422-04-368-0001	Door Knob and Stud
			252	422-04-019-5001	Door Lock Cam
			253	901-04-150-0206	5/16-18 x 5/16" Hex Soc Set Screw
			254	422-04-368-0001	Spacer

SERVICE NOTE A:

A - This pin is not knurled, add a rop of Loctite prior to assembly into front clamp shoe, Ref. No. 194. Current Models do not have a pin.

* NOT SHOWN ASSEMBLED
 ** NOT SHOWN
 *** THIS ACCESSORY IS NOT SUPPLIED WITH THE BASIC MACHINE

This parts list is provided to aid in obtaining service parts. Operational and maintenance information is contained in a separate owner's manual which is available through your local service outlet.